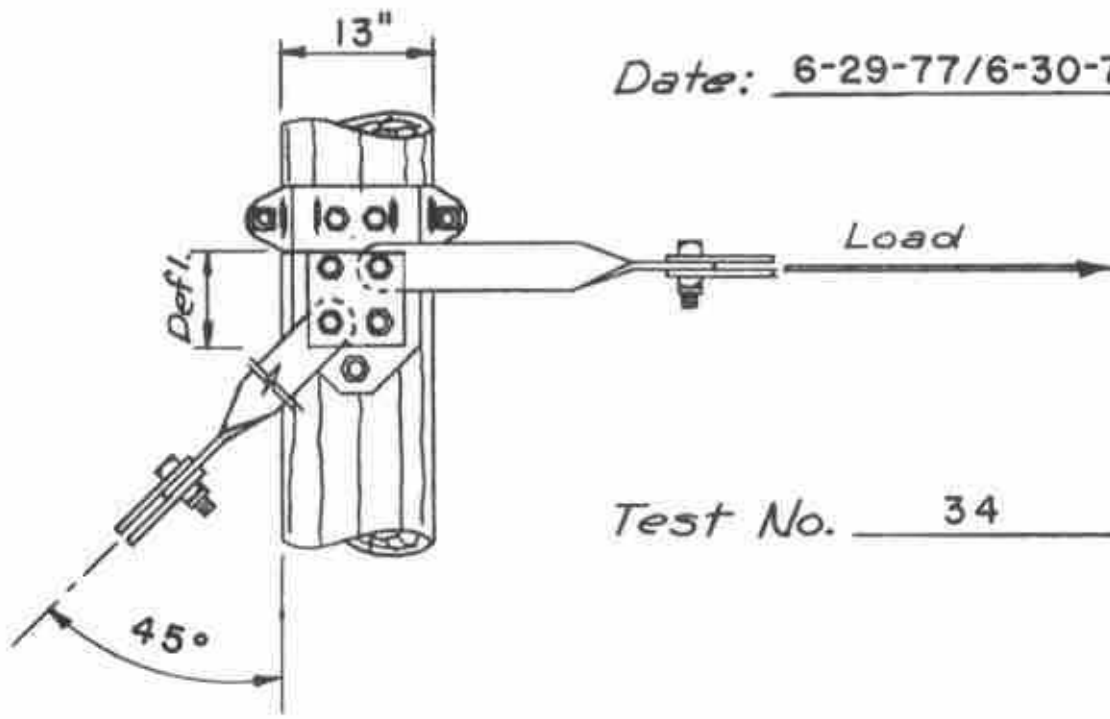


**NO. 3341
POLE BAND
TEST REPORT**





Date: 6-29-77/6-30-77

Test No. 34

DATA

LOAD .	CALCULATED GUY LOAD	DEFL.	PIC. No.	REMARKS
0	0	0	1	3/8" Yoke Plates
10000	14142	0	2	
20000	28284	0	3	
30000	42426	0	4	
33000	46669		5,6	Failure of Guying Assembly
0	0	0	7	Reloaded, 1/2" Yoke Plates
36000	50912			Failure of Guying Assembly
40000	56569	0	8	Reloaded
48500	68589		9,10	Failure of Guying Links

No. 3341 POLE BAND TEST
45 DEGREE GUYING ANGLE

Drawn D. POLICKY
 Appr.
 Appr.

HUGHES SEWARD
 FOUNDED - 1921



BROTHERS NEBRASKA
 INCORPORATED

DRG. NO.
A-2136-MI



0 lbs.



10000 lbs.



20000 lbs.

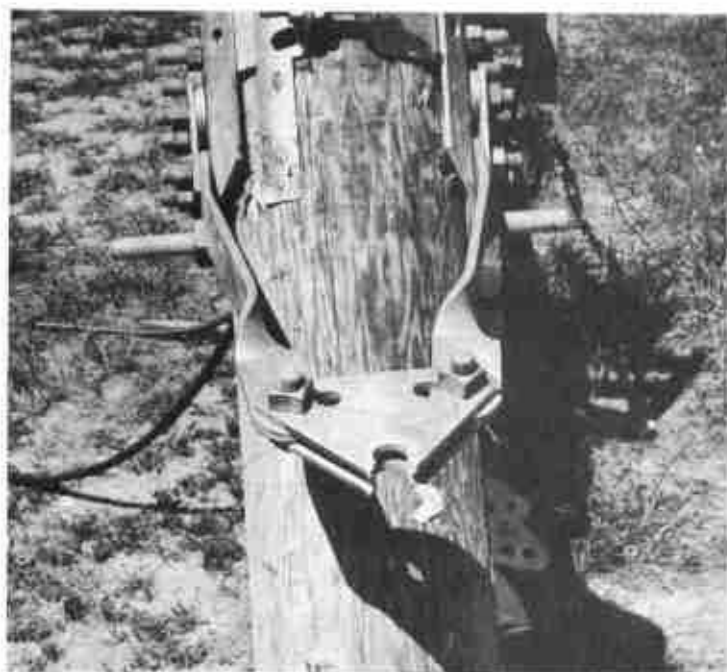


30000 lbs



Failure

33000 lbs.



Failure

33000 lbs



Reloaded

0 lbs.

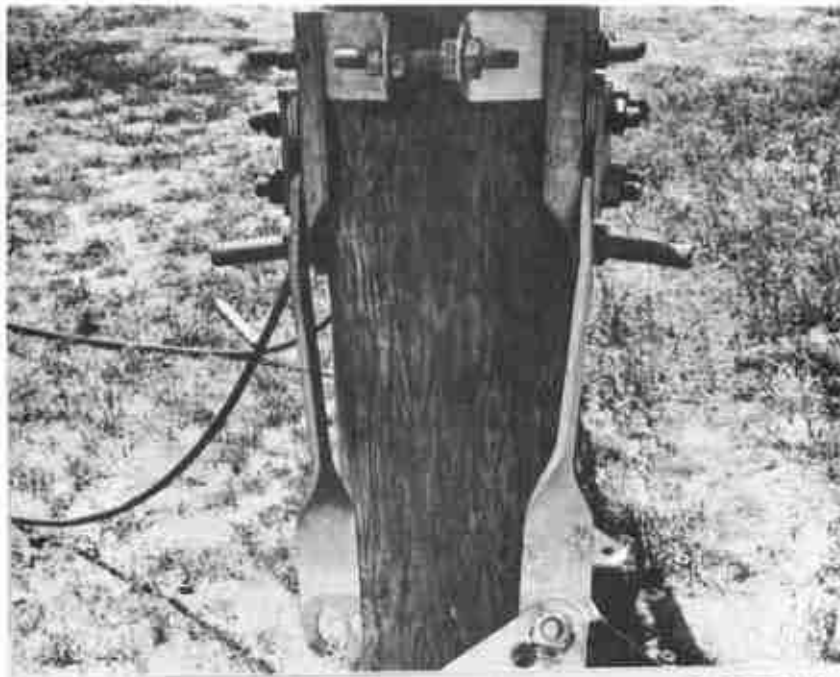


40000 lbs.



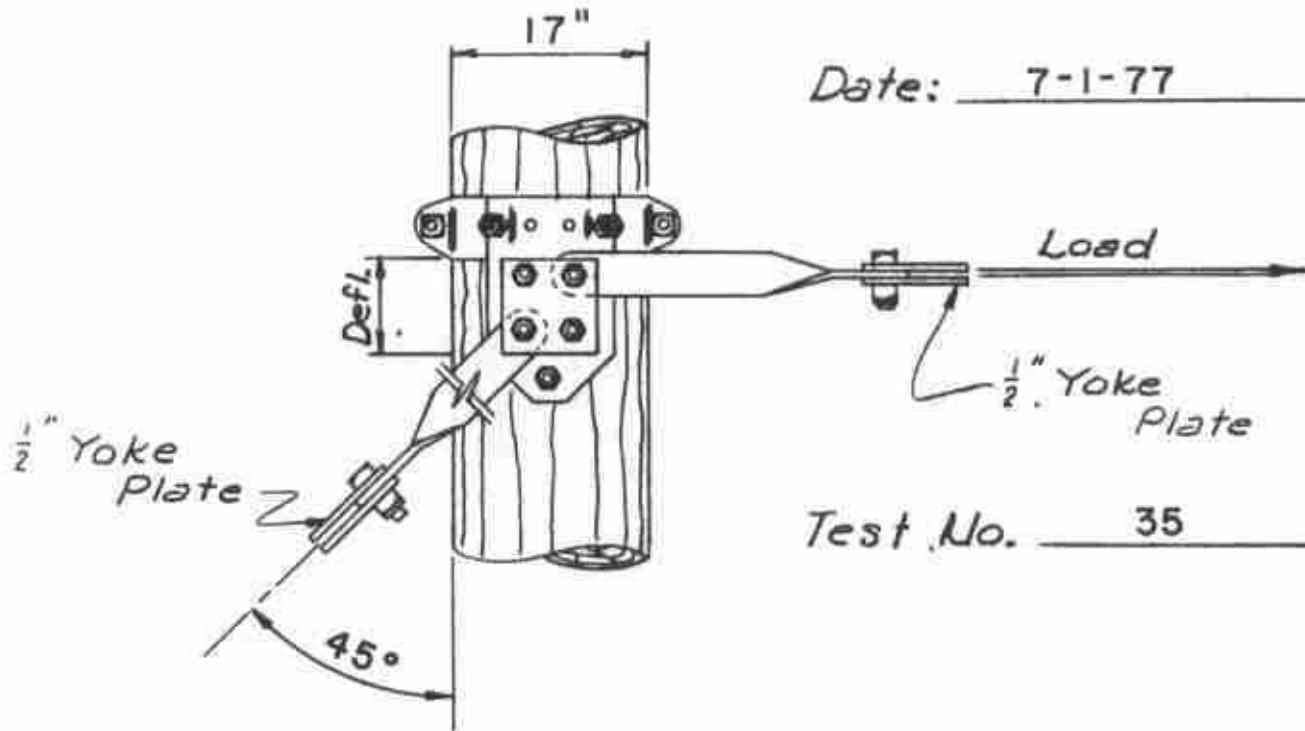
Failure

48500 lbs



Failure

48500 lbs



Date: 7-1-77

Test No. 35

DATA

LOAD	CALCULATED GUY LOAD	DEFL.	PIC. No.	REMARKS
0	0	0	1	
10000	14142	0	2	
20000	28284	0	3	
30000	42426	0	4	
40000	56568	0	5	
50000	70711	0	6	
53000	74953	0	7,8	Failure of Guying Link

No. 3341 POLE BAND TEST
45 DEGREE GUYING ANGLE

Drawn D. POLICKY Appr. Appr.	HUGHES SEWARD INCORPORATED FOUNDED - 1921		BROTHERS NEBRASKA INCORPORATED	DRG. NO. A-2136-M2
--	--	--	--	------------------------------





40000 lbs.



50000 lbs.



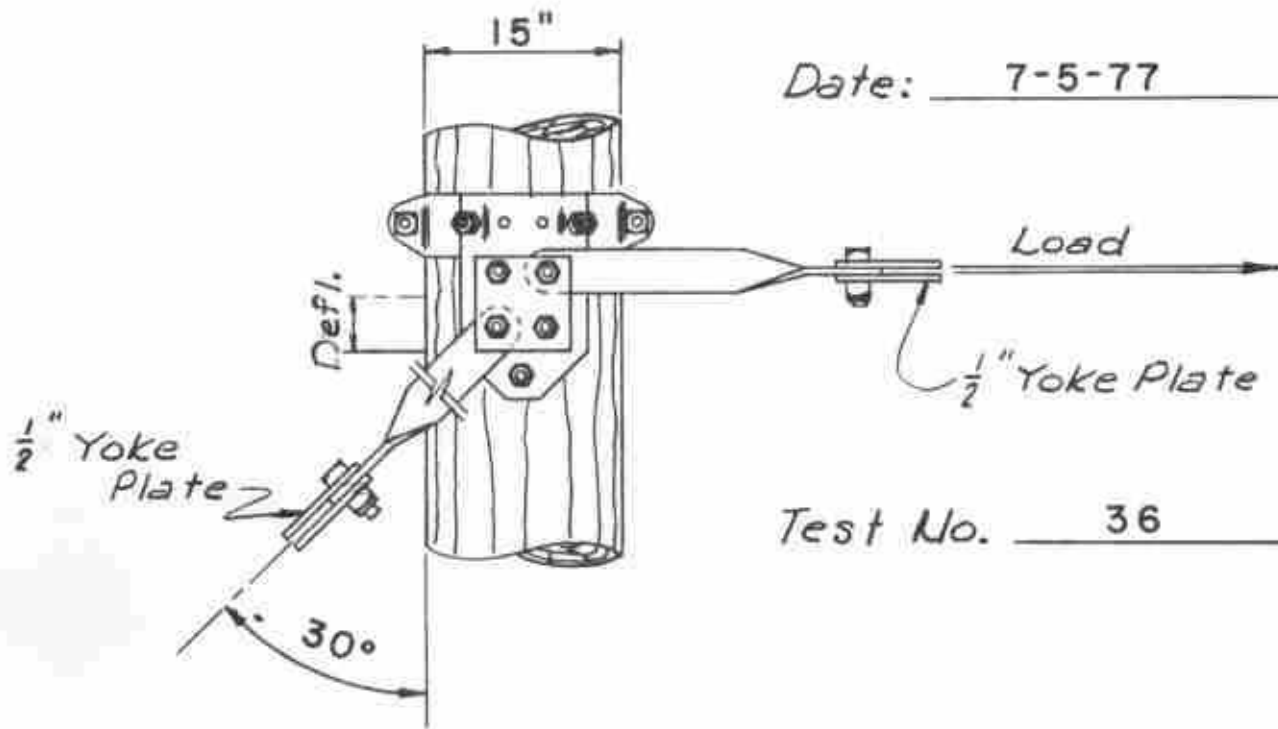
Failure

53000 lbs.



Failure

53000 lbs.



Date: 7-5-77

Test No. 36

DATA

LOAD	CALCULATED GUY LOAD	DEFL.	PIC. No.	REMARKS
0	0	0	1	
10000	20000	0	2	
14100	28200	1/8"	3	
20000	40000	1/4"	4	
30000	60000	3/8"	5	
40000	80000	1/2"	6	
41000	82000		7,8	Failure of Guying Links

NO. 3341 POLE BAND TEST
30 DEGREE GUYING ANGLE

Drawn D. POLICKY

Appr.

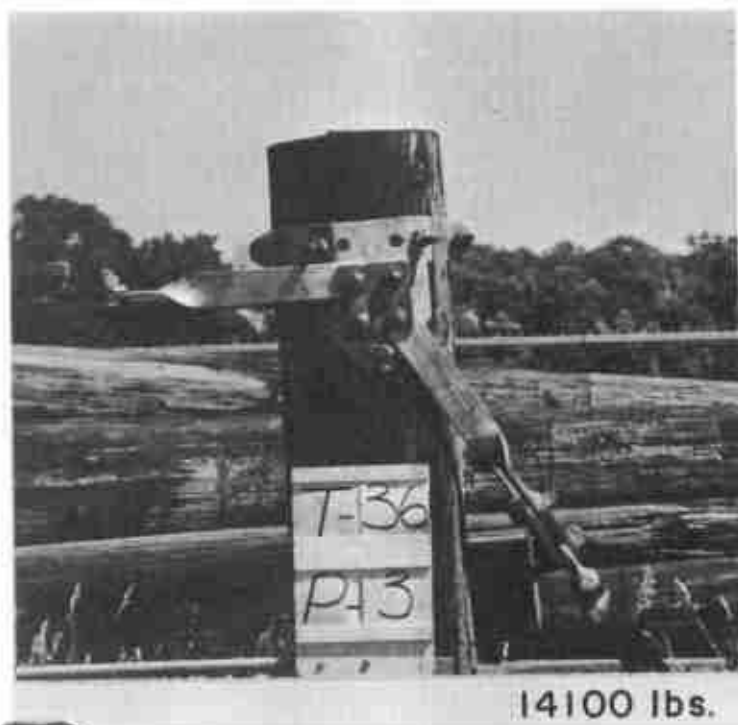
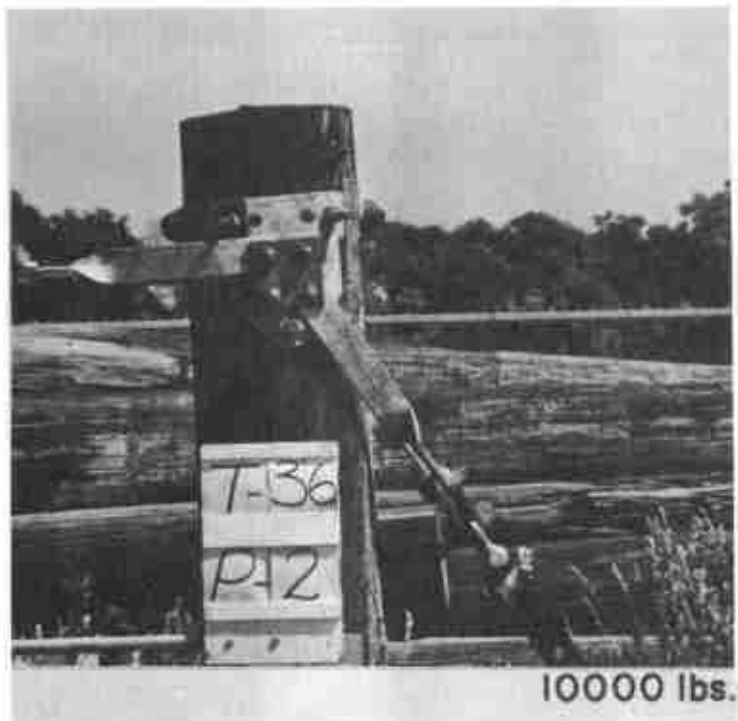
Appr.

HUGHES
SEWARD
 FOUNDED - 1921



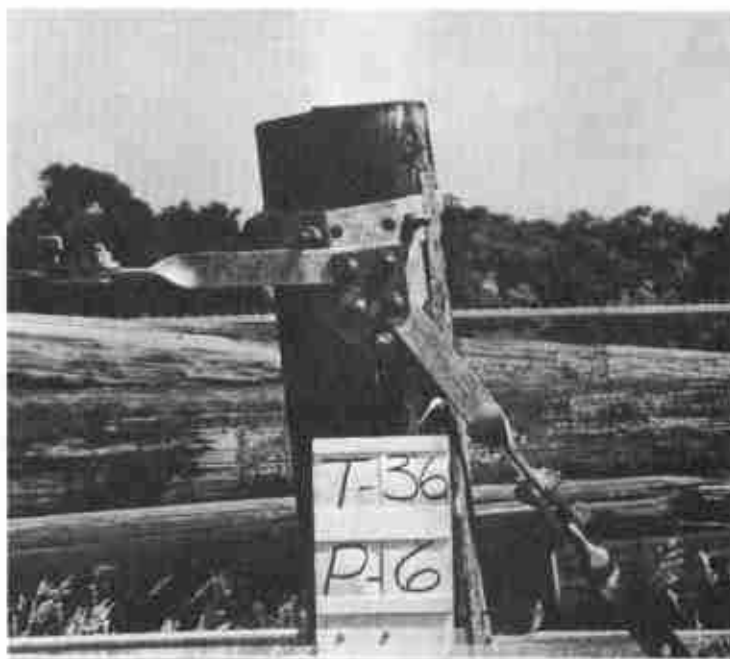
BROTHERS
NEBRASKA
 INCORPORATED

DRG. NO.
A-2136-M3





30000 lbs.

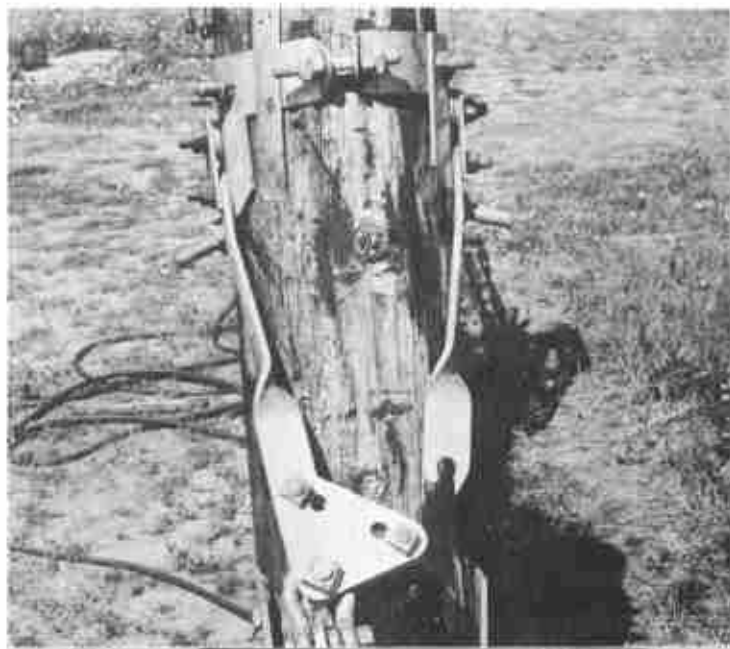


40000 lbs.



Failure

41000 lbs.



Failure

41000 lbs.