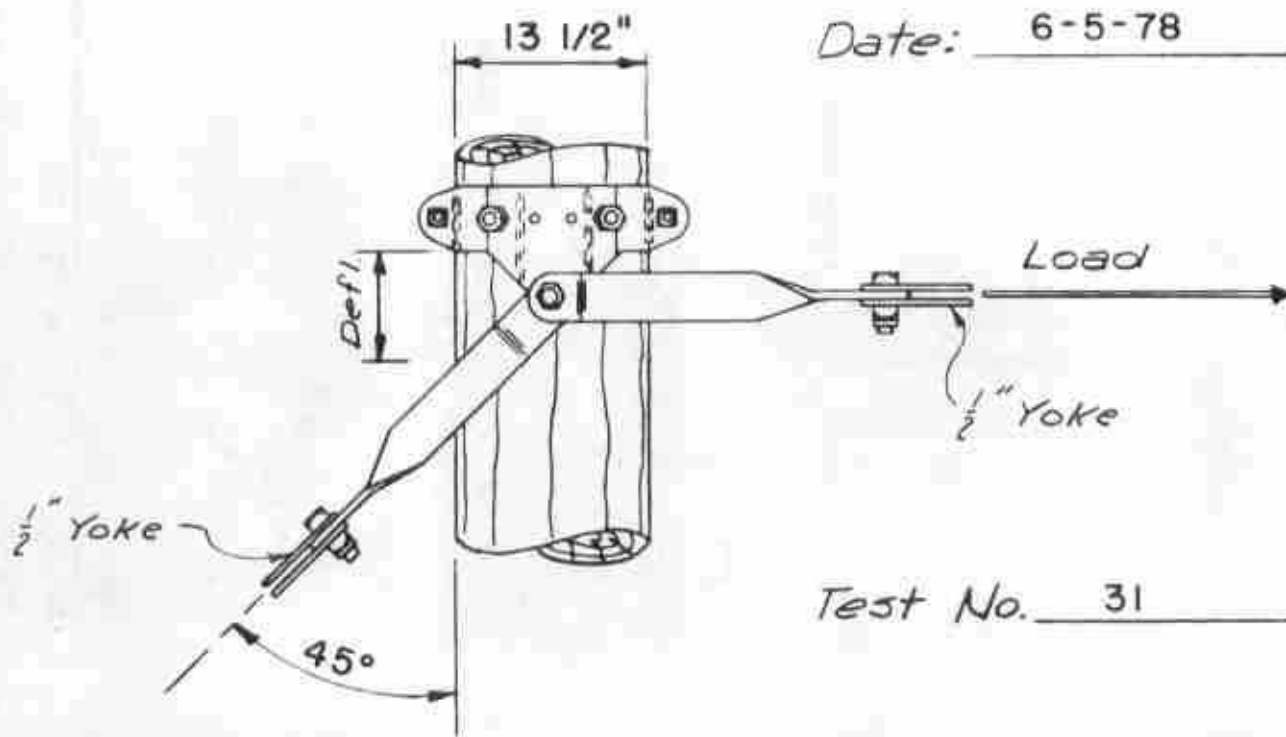


**NO. 3340
POLE BAND
TEST REPORT**

**HUGHES
BROTHERS**

Date: 6-5-78



Test No. 31

DATA

LOAD	CALCULATED GUY LOAD	DEFL.	PIC. No	REMARKS
0	0	0	1	
10000	14142	1/16"	2	
20000	28284	1/16"	3	
30000	42426	1/16"	4	
40000	56569	1/8"	5	
50000	70711	3/16"	6	
60000	84853		7	Failure of Yoke Plate

No 3340 POLE BAND TEST
45 DEGREE GUYING ANGLE

Drawn **D. POLICKY**
Appr.
Appr.

HUGHES
SEWARD
FOUNDED - 1921



BROTHERS
NEBRASKA
INCORPORATED

DRG. NO.
A-2136-LI



0 lbs.



10000 lbs.



20000 lbs.



30000 lbs.



40000 lbs.



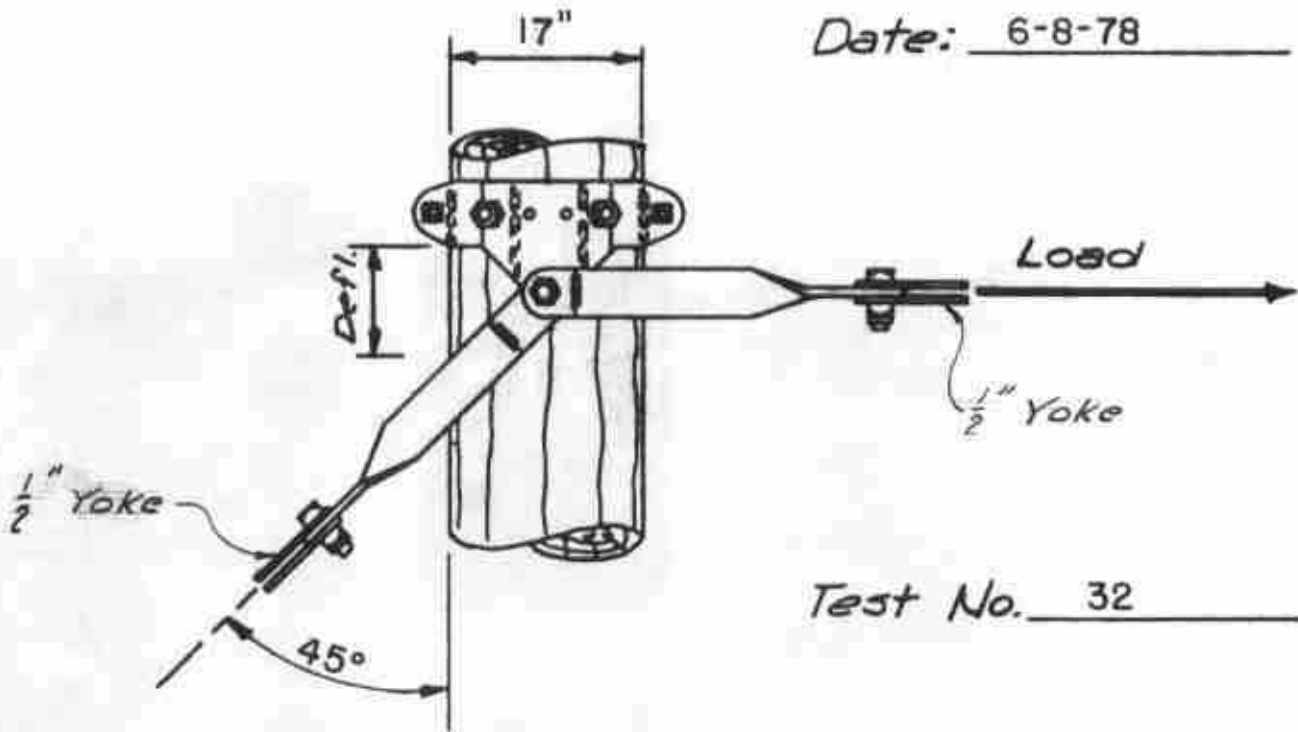
50000 lbs.



Failure

60000 lbs.

Date: 6-8-78



Test No. 32

DATA

LOAD	CALCULATED GUY LOAD	DEFL.	PIC No	REMARKS
0	0	0	1	
10000	14142	0	2	
20000	28284	0	3	
30000	42426	1/16"	4	
40000	56569	1/16"	5	
50000	70711	1/8"	6	
60000	84853		7,8	Failure of Guy Yoke Plate

No. 3340 POLE BAND TEST
45 DEGREE GUYING ANGLE

Drawn D. POLICKY

Appr.

Appr.

HUGHES
SEWARD

FOUNDED - 1921



BROTHERS
NEBRASKA

INCORPORATED

DRG. NO.

A-2136-L2



0 lbs.



10000 lbs.



20000 lbs.



30000 lbs.



40000 lbs.



50000 lbs.



Failure

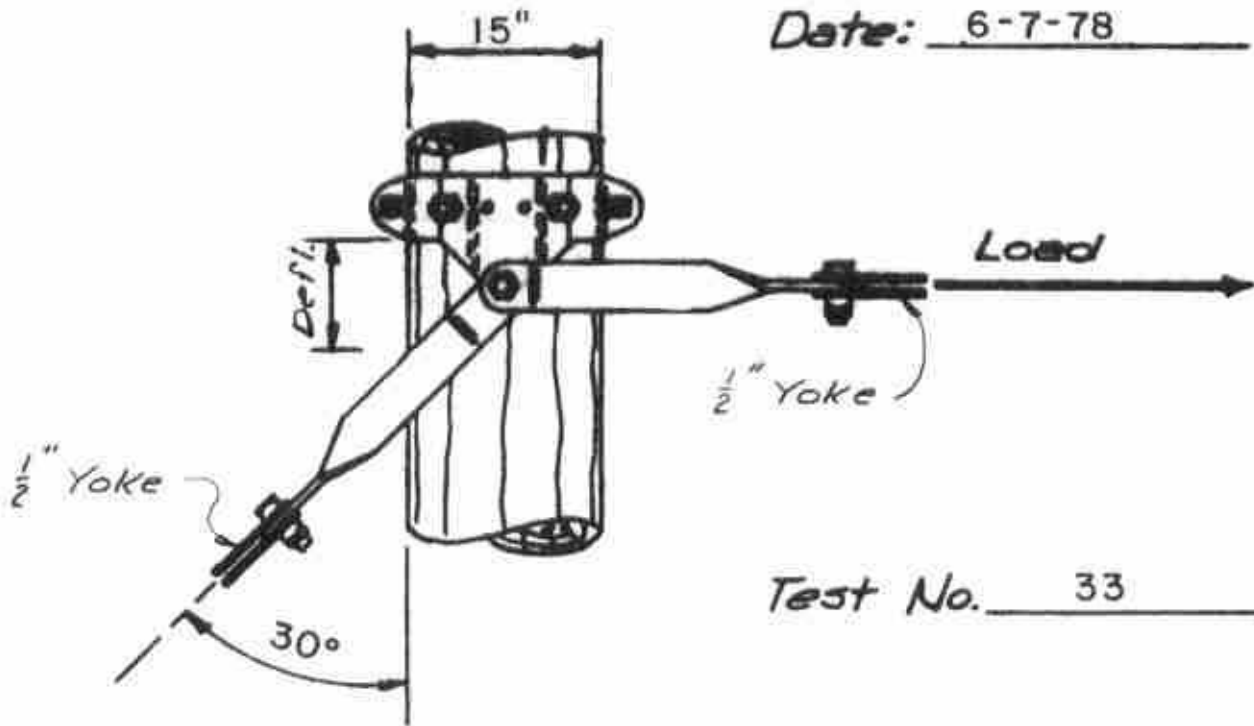
60000 lbs.



Failure

60000 lbs.

Date: 6-7-78



Test No. 33

DATA

LOAD	CALCULATED GUY LOAD	DEFL.	Pk. No.	REMARKS
0	0	0	1	
10000	20000	0	2	
20000	40000	1/16"	3	
30000	60000	3/16"	4	
40000	80000	7/16"	5	
50000	100000		6,7	Failure of Guying Link

No. 3340 POLE BAND TEST
30 DEGREE GUYING ANGLE

Drawn D. POLICKY
 Appr.
 Appr.

HUGHES
SEWARD
 FOUNDED - 1921



BROTHERS
NEBRASKA
 INCORPORATED

DRG. NO.
A-2136-L3



0 lbs.



10000 lbs.



20000 lbs.



30000 lbs.



40000 lbs.



Failure

50000 lbs.



Failure

50000 lbs