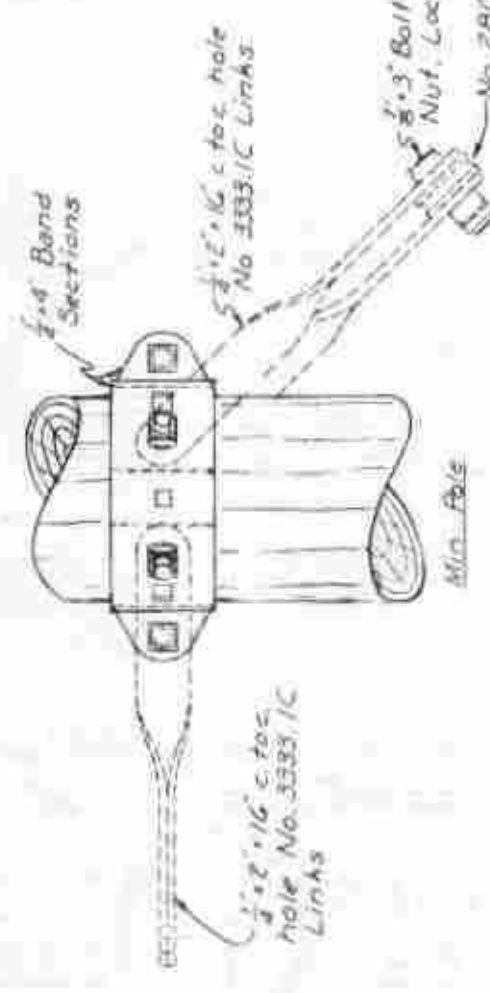
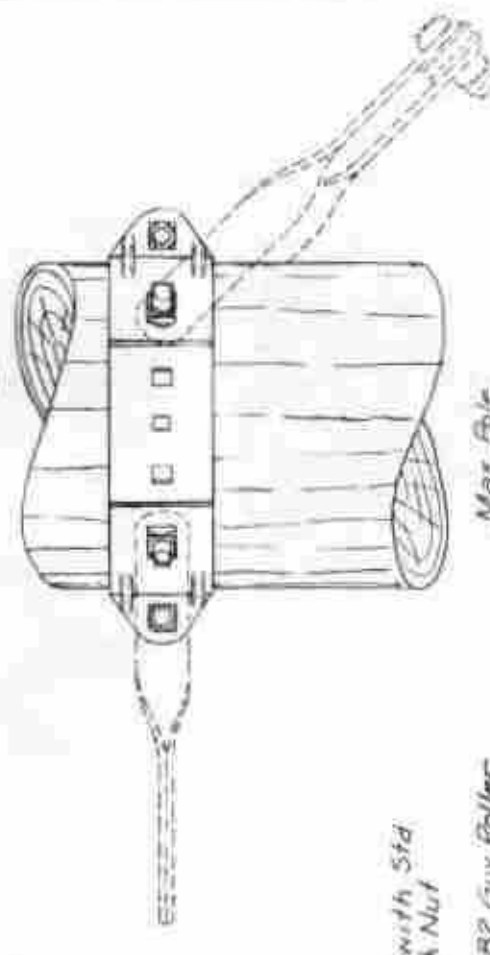
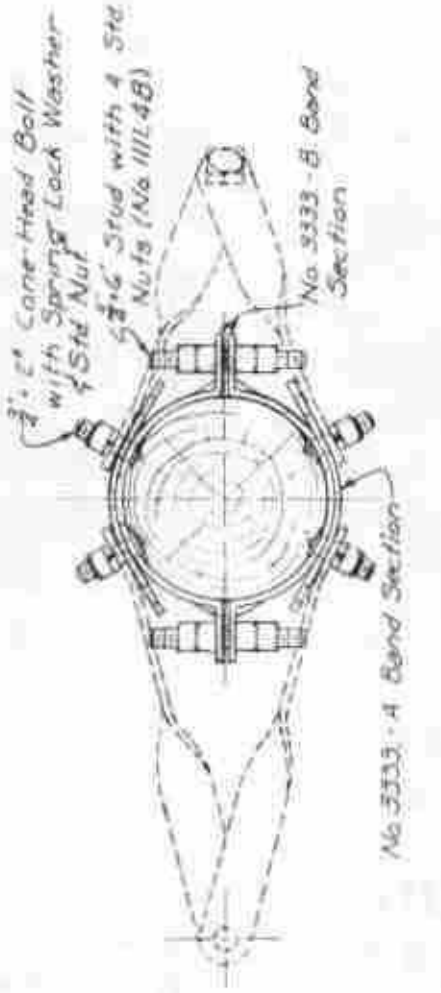
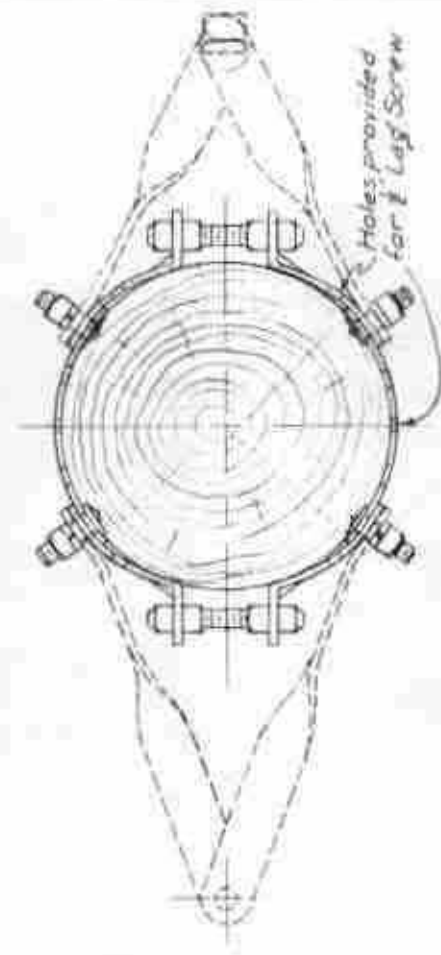


**NO. 3333  
POLE BAND  
TEST REPORT**

**HUGHES  
BROTHERS**



Band No.	Size Pole
No. 3333.5	7" to 11" Pole Diam.
No. 3333.6	8" to 13" Pole Diam.
No. 3333.7	11" to 17" Pole Diam.

Max. Pole  
 Note: See Drawing No. 3333-A for application of No. 3333 Pole Band

QTY	Part No.	Material List
2	No. 3333.5 Pole Band	2
4	No. 3333.6 Pole Band	4
2	No. 1111.4B CHB 72	2
4	No. 1111.4B CHB 72	4
Specify	No. 3333.1C Twisted Links (Pairs) 1/2	
Specify	No. 3333.2A Twisted Link (Single) 1/2	
Specify	No. 3333.2B Link (Single) 1/2	
Specify	No. 280.52 Guy Roller 1 1/2 x 2 1/2	
Specify	BB3 3/8 x 3/4 Bolt, Std Nut, Lock Nut	

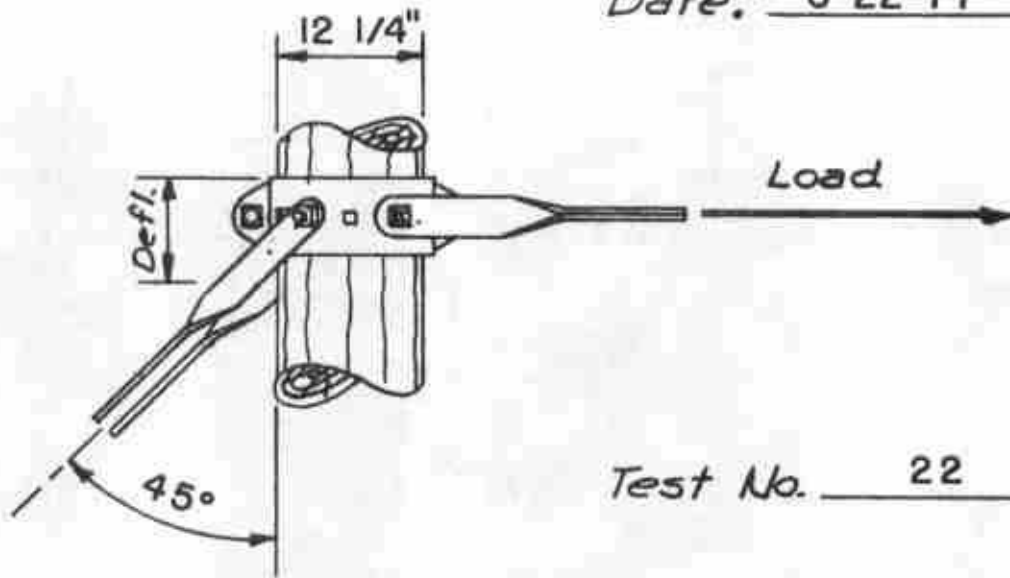
"HUGHES" NO. 3333 POLE BAND ASSEMBLY



HUGHES SEWARD  
 FOUNDED - 1881

BROTHERS  
 NEBRASKA  
 INCORPORATE

Date: 6-22-77



Test No. 22

DATA

LOAD	CALCULATED GUY LOAD	DEFL.	PIC. No.	REMARKS
0	0	0	1	
3750	5303	0	2	
7500	10607	-1/4	3	Rotation of Side Plate
11250	15910	-5/8	4	
15000	21213	-1 1/8	5	
18000	25456		6	Failure of Guying Links

No. 3333 POLE BAND TEST  
45 DEGREE GUYING ANGLE

Drawn D. POLICKY

Appr.

Appr.

**HUGHES**  
**SEWARD**

FOUNDED - 1921



**BROTHERS**  
**NEBRASKA**

INCORPORATED

DRG. NO.

A-2136-HI



0 lbs.



3750 lbs.



7500 lbs.



11250 lbs.



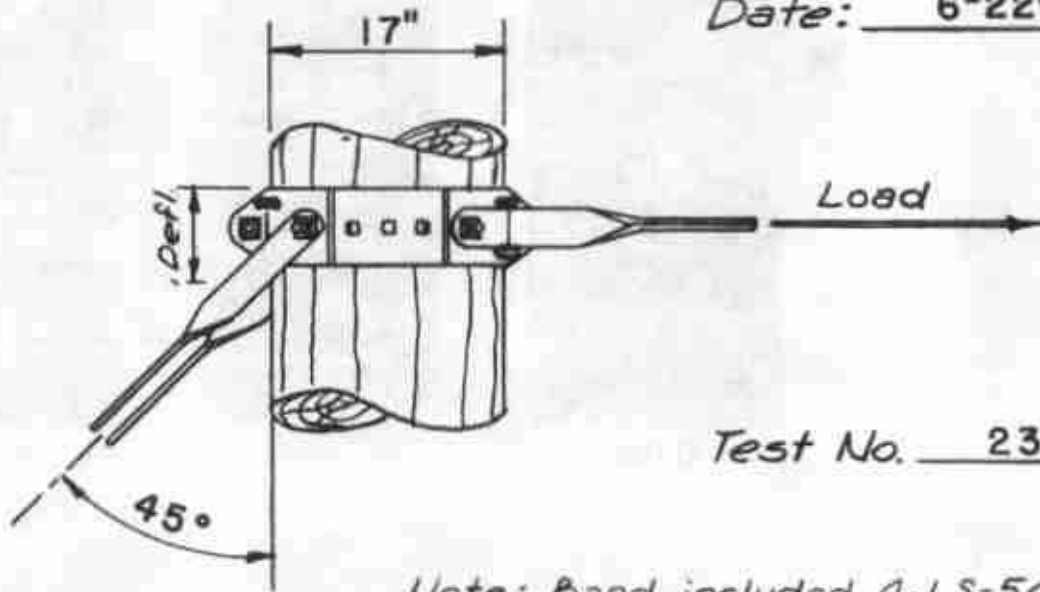
15000 lbs.



Failure

18000 lbs.

Date: 6-22-77



Test No. 23

Note: Band included 4-LS-54

DATA

LOAD	CALCULATED GUY LOAD	DEFL.	Pic. No.	REMARKS
0	0	0	1	
3750	5303	0	2	
7500	10607	-1/16"	3	Rotation of Side Plate
11250	15910	1/8"	4	
15000	21213	1/8"	5	
18000	25456		6	Failure of Guying Link

No. 3933 POLE BAND TEST  
45 DEGREE GUYING ANGLE

Drawn D. POLICKY  
Appr.  
Appr.

**HUGHES**  
**SEWARD**  
FOUNDED - 1921



**BROTHERS**  
**NEBRASKA**  
INCORPORATED

DRG. NO.  
**A-2136-H2**





0 lbs.



3750 lbs



7500 lbs.



11250 lbs



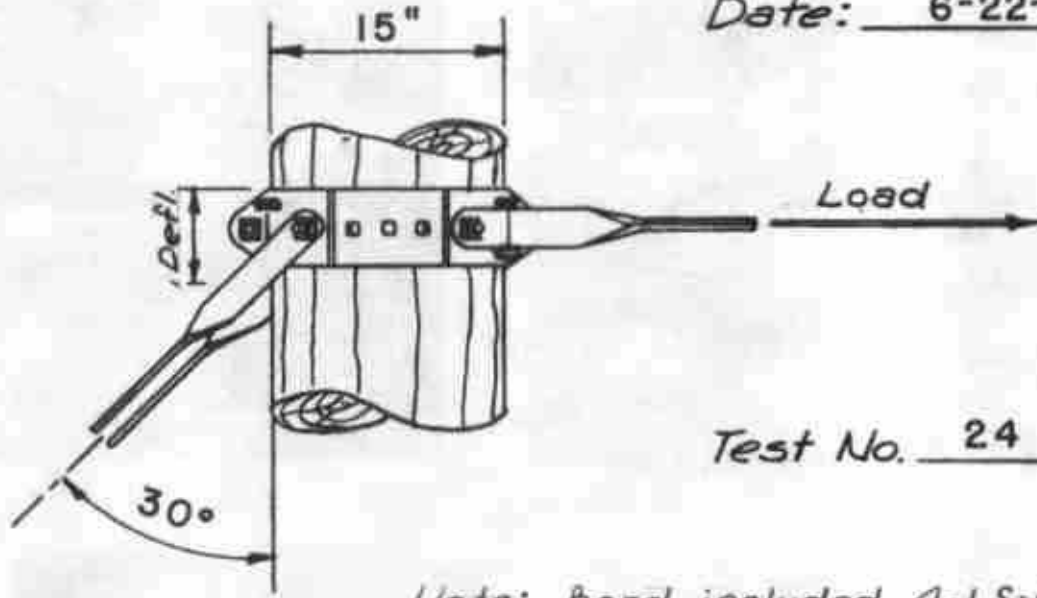
15000 lbs.



Failure

18000 lbs

Date: 6-22-77



Test No. 24

Note: Band included 4-LS-54

DATA

LOAD	CALCULATED GUY LOAD	DEFL.	Pic No.	REMARKS
0	0	0	1	
3750	7500	0	2	
5300	10600	-1/16"	3	
7500	15000	-1/16"	4	
10600	21200	-1/8"	5	Rotation of Side Plate
15000	30000	0	6	
16000	32000		7	Failure of Guying Links

No. 3933 POLE BAND TEST  
30 DEGREE GUYING ANGLE

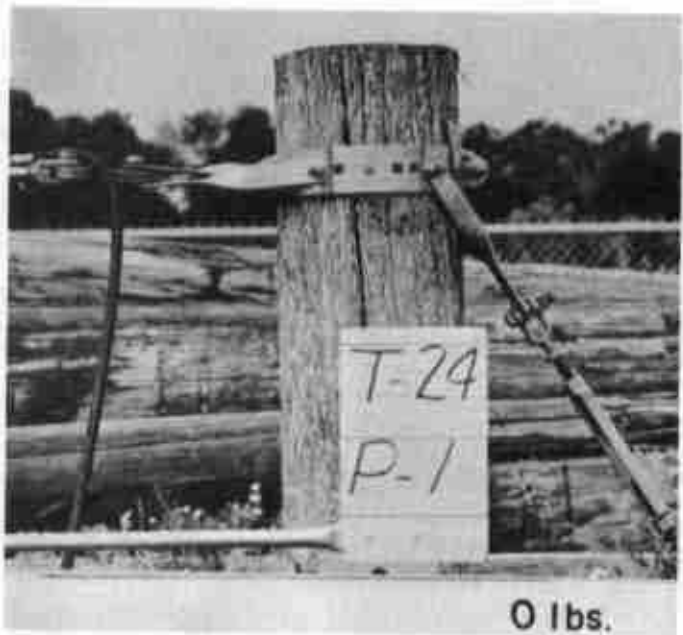
Drawn D. POLICKY  
 Appr.  
 Appr.

**HUGHES**  
**SEWARD**  
 FOUNDED - 1921



**BROTHERS**  
**NEBRASKA**  
 INCORPORATED

DRG. NO.  
A-2136-H3



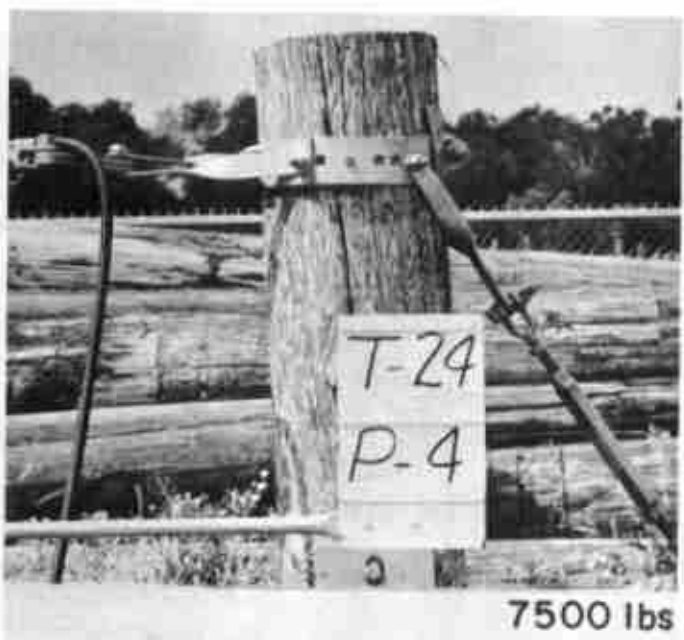
0 lbs.



3750 lbs.



5300 lbs



7500 lbs





10600 lbs.



15000 lbs.



Failure

16000 lbs.