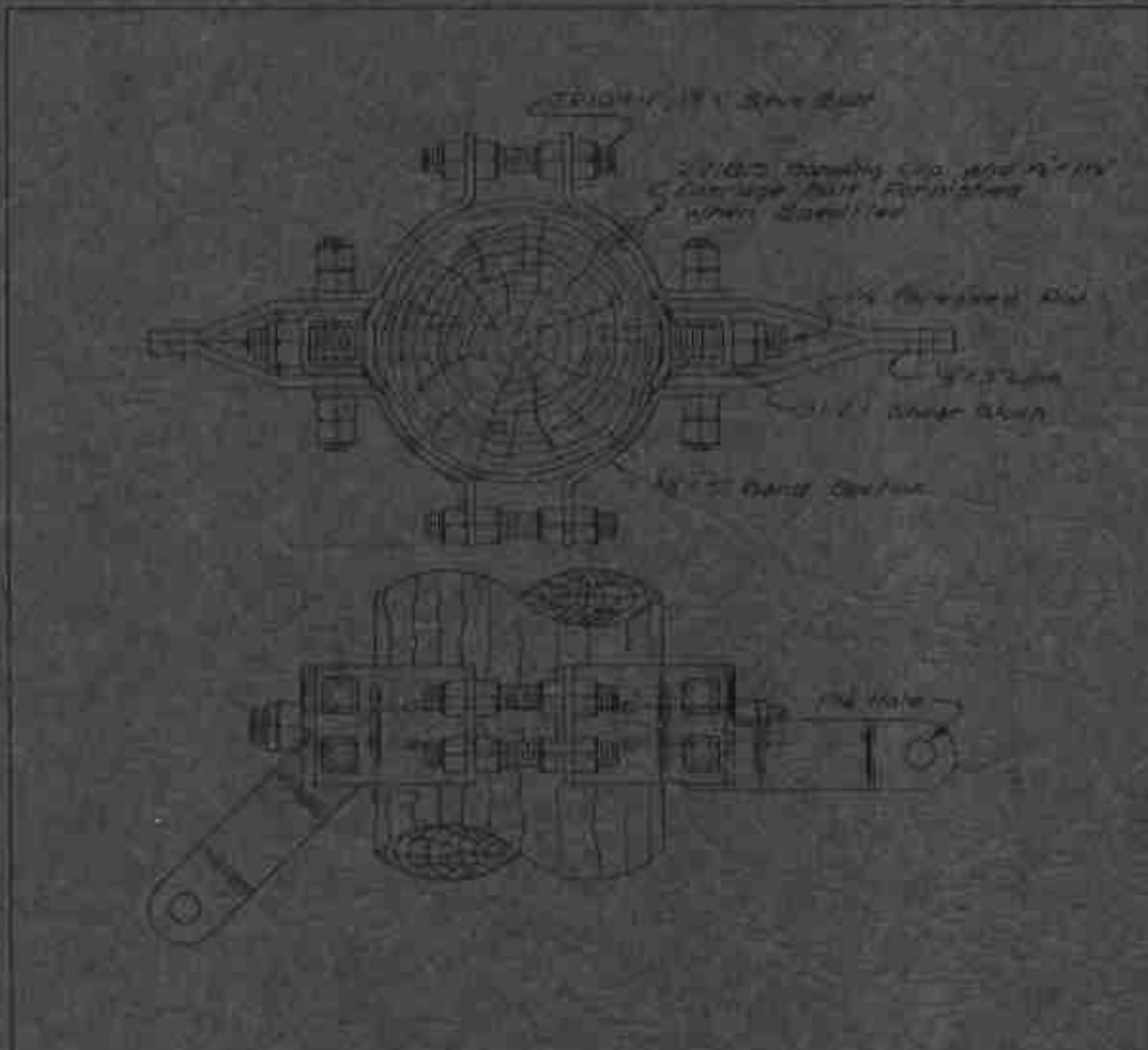


Hughes No. 3112 POLE BAND TEST

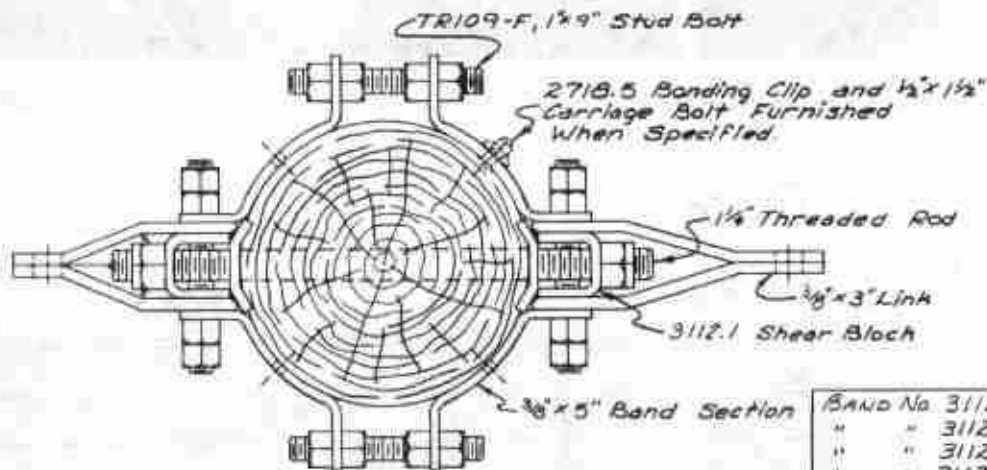


HUGHES
BROTHERS

P.O. Box 159, 210 North 13th Street, Seward, Nebraska 68434

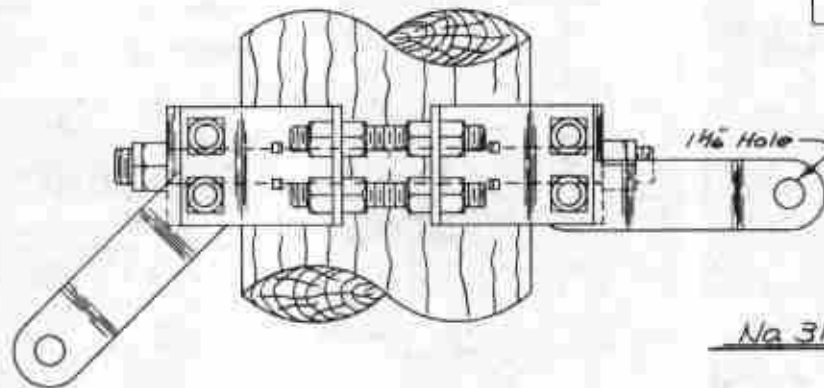
Phone (402) 643-2991 Telex 438076

Hughes No. 3112 POLE BAND TEST



NOTE:
Connecting Links
to be orderd
separately

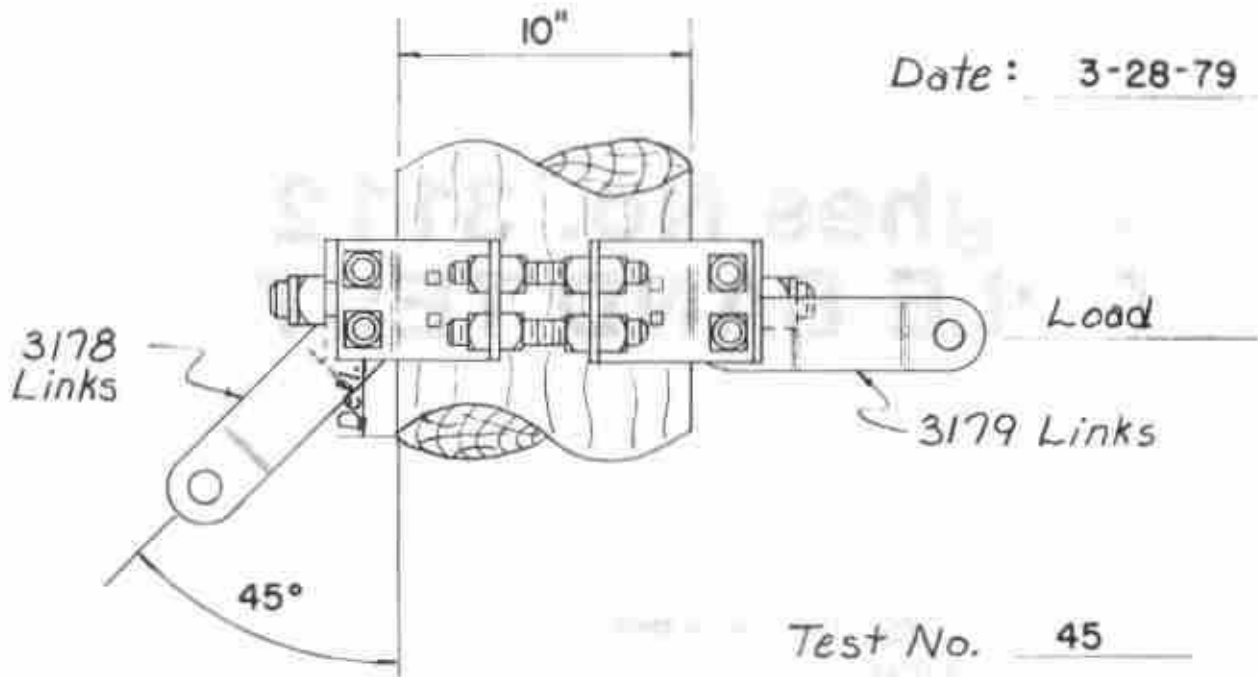
BAND No	3112.5	7" to 10"	Pole Dia.
"	3112.6	10" to 14"	"
"	3112.7	12" to 17"	"
"	3112.8	15" to 19"	"
"	3112.9	17" to 21"	"



Band No.	1/4" Thrd. Rod Length	
	Band	Rod Length
3112.5	22"	7.6"
3112.6	25"	7.6"
3112.7	28"	7.6"
3112.8	30"	7.6"
3112.9	32"	7.6"

No 3112 POLE BAND

Date: 3-28-79



Test No. 45

Data

Load	Calculated Guy Load	Deflection	Pic. No.	Remarks
0	0	0	1	
10000	14142	1/8"	2	
20000	28284	5/8"	3	
30000	42426	1 5/8"	4	
40000	56568	2 1/2"	5	
50000	70710	3 1/2"	6	
64000	90509		7	Failure of Guying Stud Split Pole

No. 3112 POLE BAND TEST
45 DEGREE GUYING ANGLE

Drawn

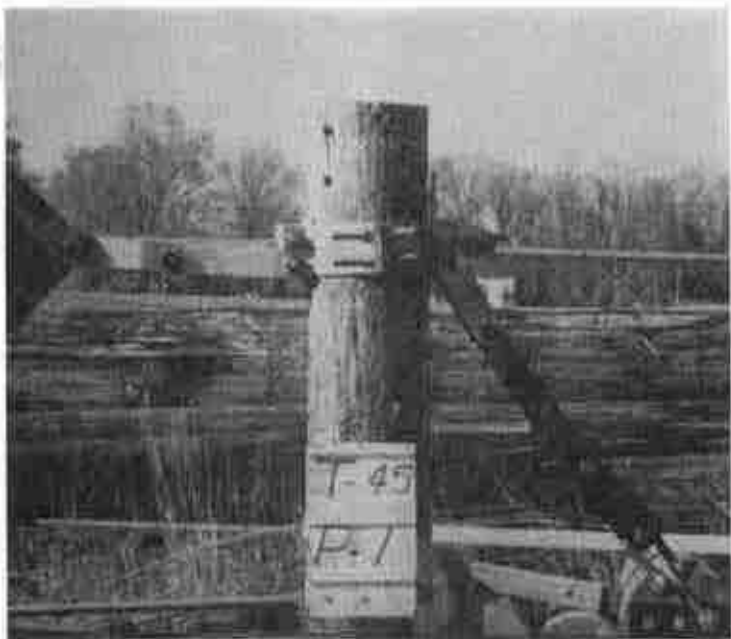
Bob Bomer

Approved

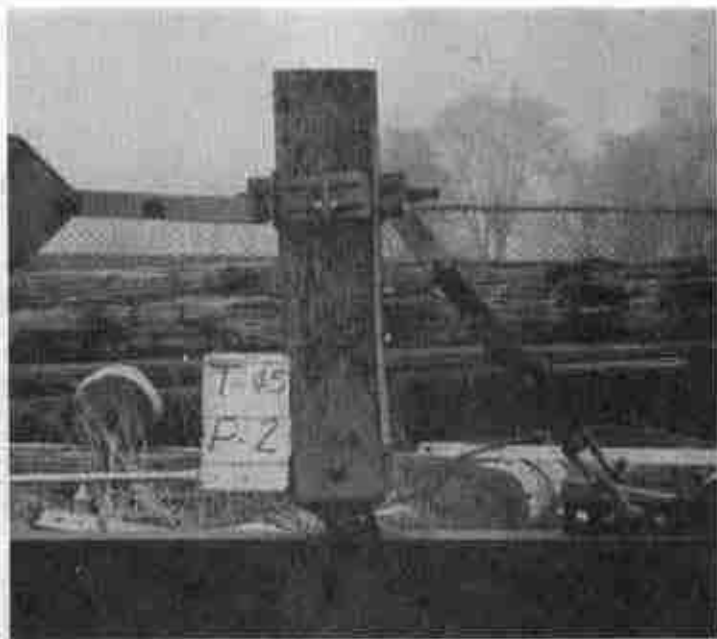
HUGHES
BROTHERS
 Seward, Nebraska

Date Printed

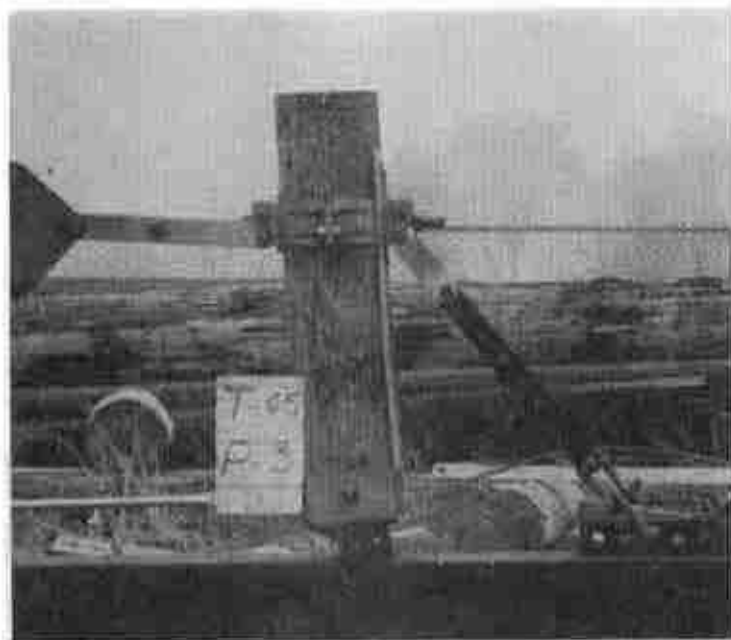
DRG. NO. A-2136-Q1



0 lbs.



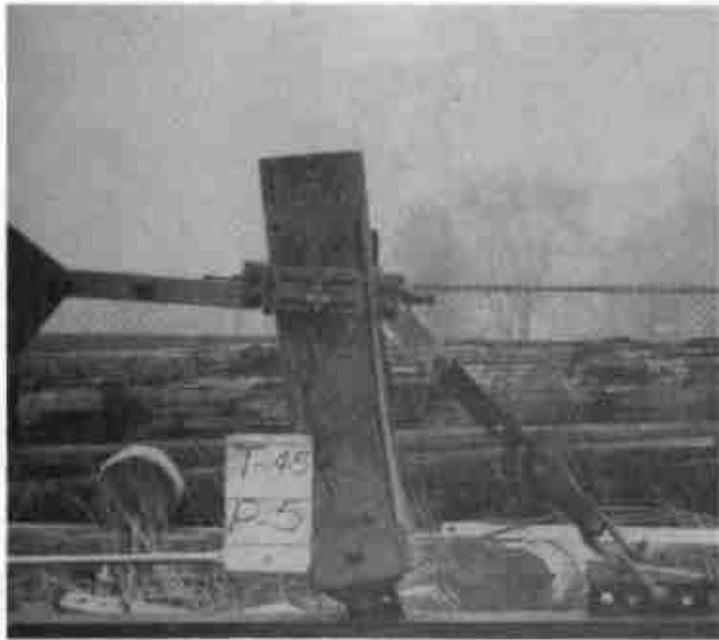
10,000 lbs.



20,000 lbs.



30,000 lbs.



40,000 lbs.



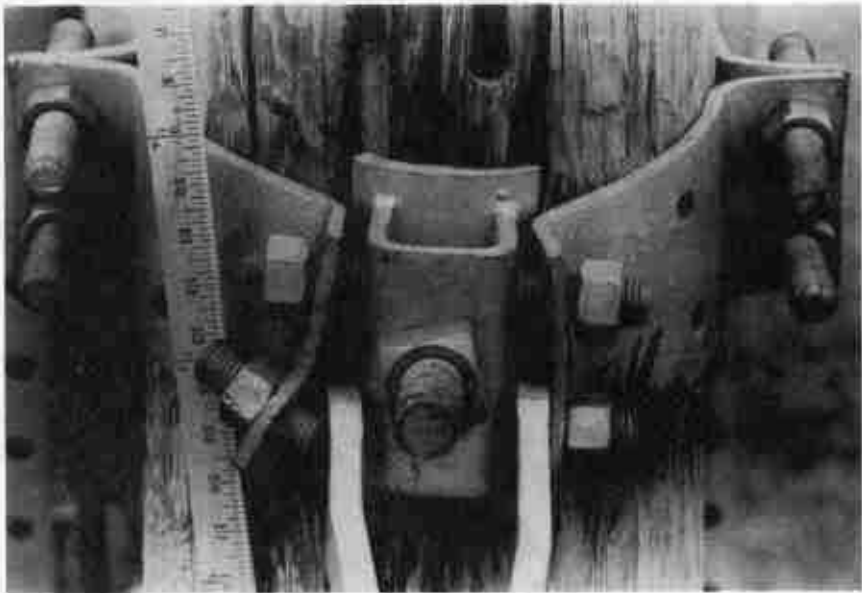
50,000 lbs.



64,000 lbs.

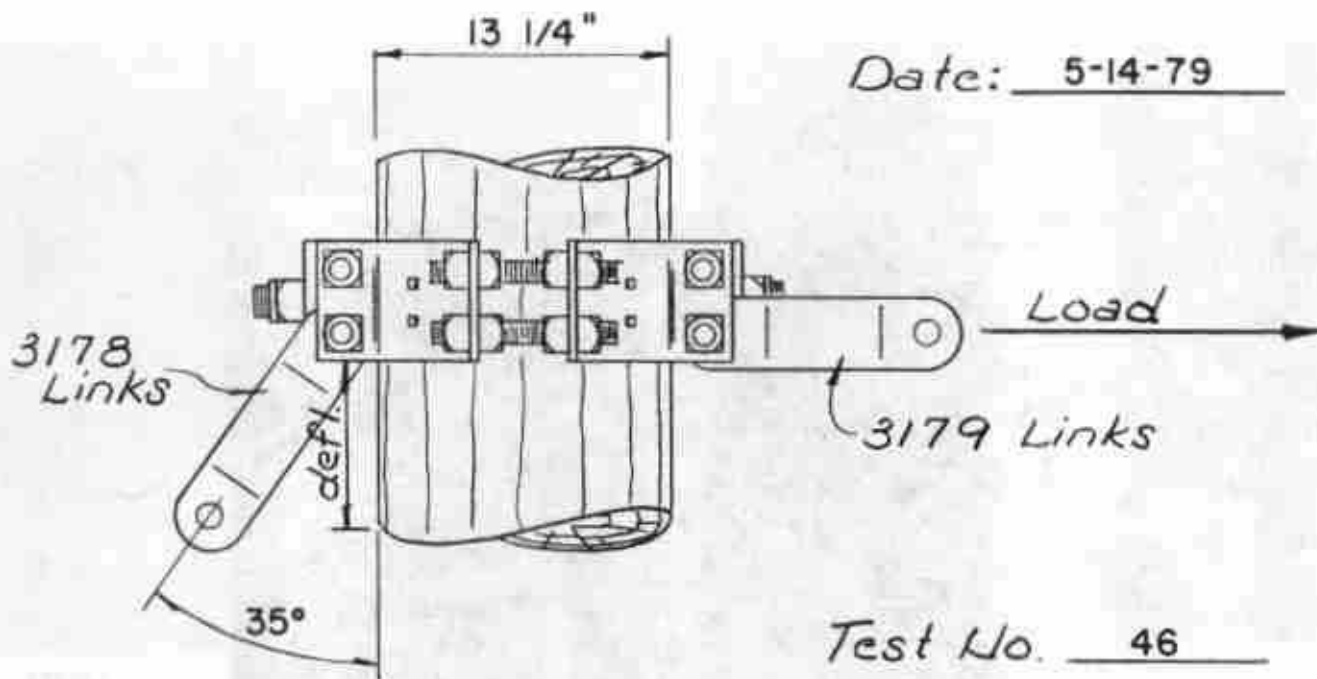


Failure



Failure

ROCKWELL
RESEARCH & DEVELOPMENT
A Division of Rockwell International Corporation



Data

Load	Calculated Guy Load	Deflection	Pic. No.	Remarks
0	0	0	1	
10000	17435	0	2	
20000	34869	0	3	
30000	52303	1/2"	4	
40000	69738	1 1/8"	5	
50000	87172	1 3/4"	6	
60000	104607	3 1/8"	7	
62000	108094		8,9,10,	Failure of Guy Linkage Bolt

3112 POLE BAND TEST
35 DEGREE GUYING ANGLE

Drawn D. POLICKY	HUGHES BROTHERS Seward, Nebraska	Date Printed
Approved		DRG. NO. A-2136-Q2



0 lbs.



10,000 lbs.



20,000 lbs.



30,000 lbs.



40,000 lbs.



50,000 lbs.

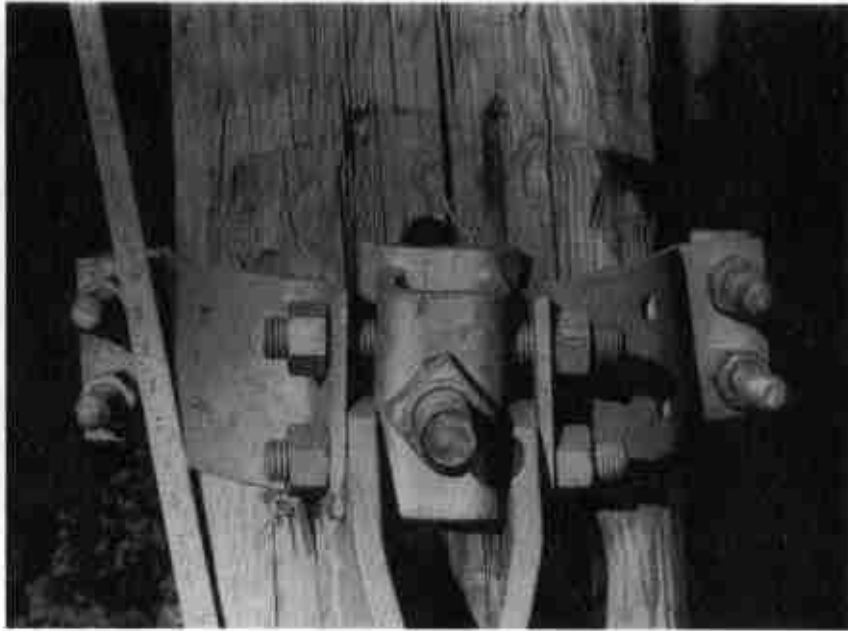


60,000 lbs.



62,000 lbs.

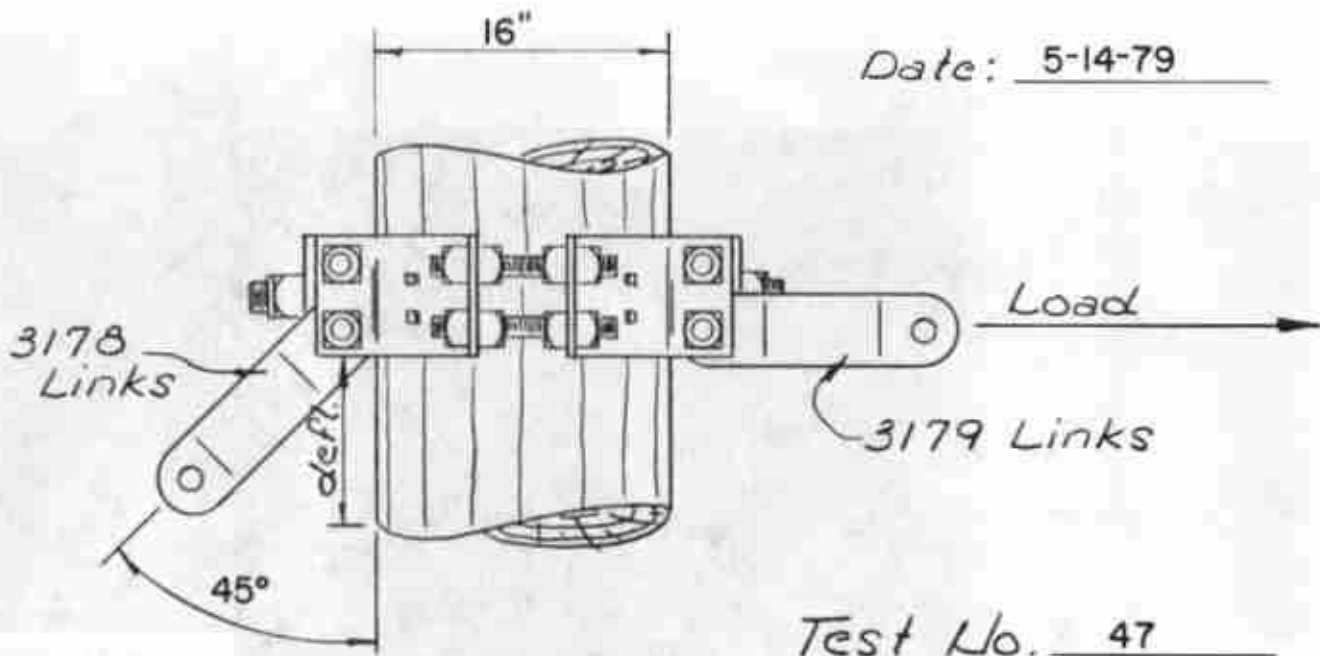
HILLMAN
ENGINEERING & CONSTRUCTION
INCORPORATED



Failure



Failure



Data

Load	Calculated Guy Load	Deflection	Pic. No	Remarks
0	0	0	1	
10000	14142	1/8"	2	
20000	28284	1/4"	3	
30000	42426	5/8"	4	
40000	56569	1 1/4"	5	
50000	70710	1 7/8"	6	
60000	84852	2 1/2"	7	
			8	Failure of Thru-Rod
			9	Shear

3112 POLE BAND TEST
45 DEGREE GUYING ANGLE

Drawn D. POLICKY		Date Printed
Approved		DRG. NO. A-2136-Q3



0 lbs.



10,000 lbs.



20,000 lbs.



30,000 lbs.



40,000 lbs.



50,000 lbs.

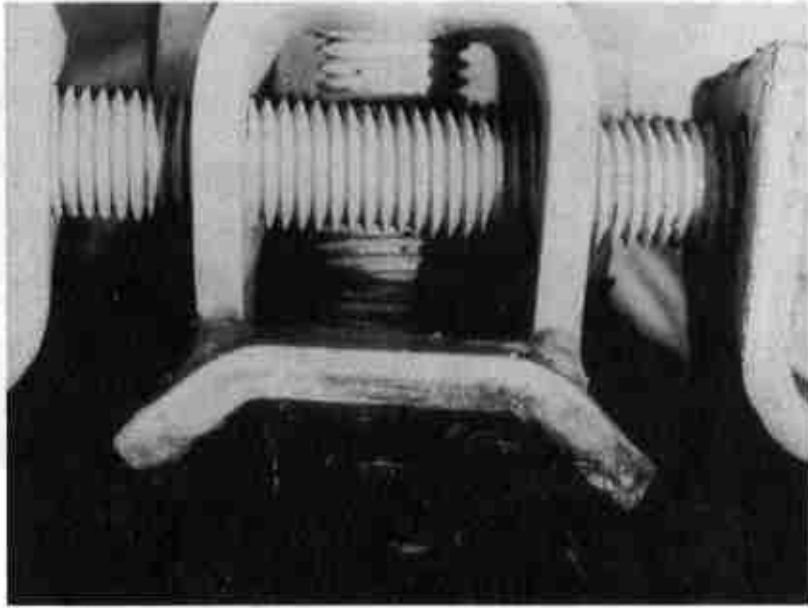


60,000 lbs.



Failure

441115
MILITARY NEWS II
New York, N.Y. 10011



Failure