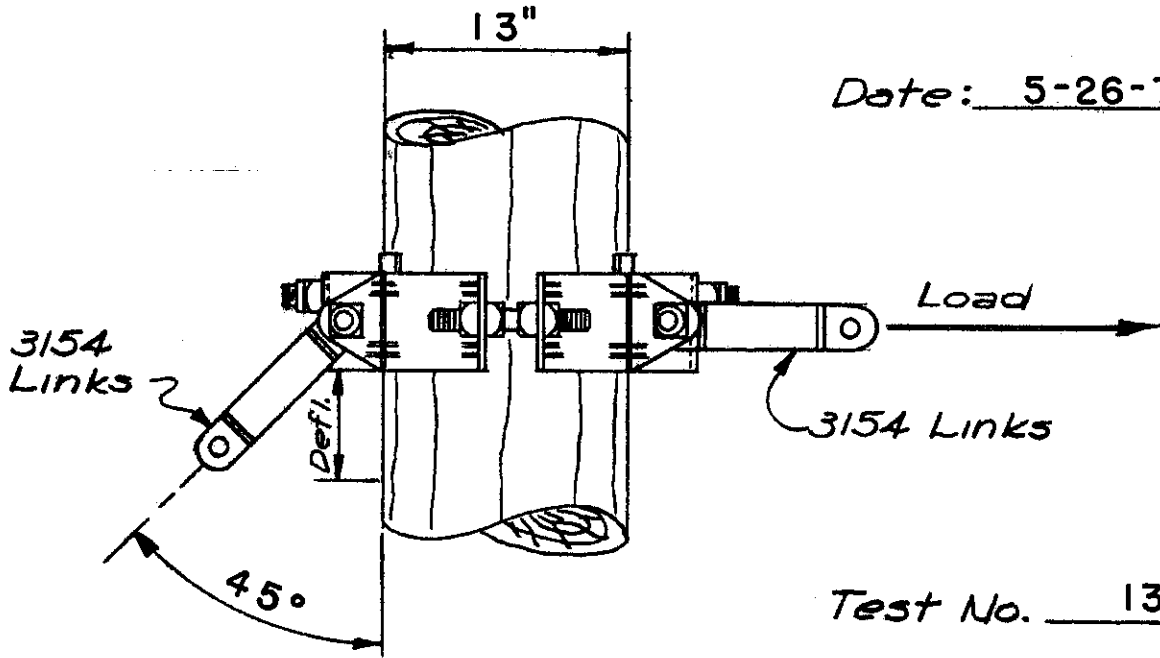


Date: 5-26-77



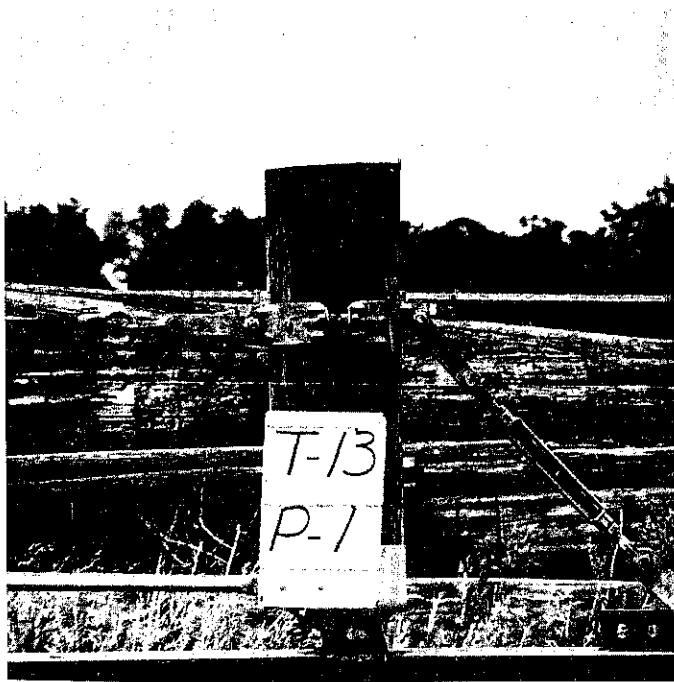
Test No. 13

DATA

LOAD	CALCULATED GUY LOAD	DEFL.	Pic. No.	REMARKS
0	0	0	1	
6000	8485	1/8"	2	
12000	16971	1/4"	3	
18000	25456	1/2"	4	
24000	33941	3/4"	5	
30000	42426	1 1/4"	6	
36000	50912	1 3/4"	7	
38000	53740		8	Failure of Guying Links

No. 3108 POLE BAND TEST
45 DEGREE GUYING ANGLE

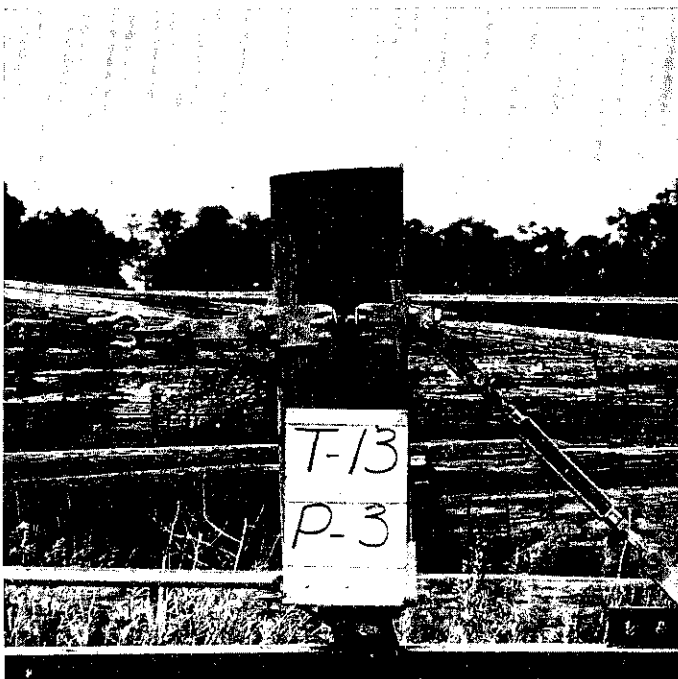
Drawn D. POLICKY	HUGHES SEWARD WOOD METAL HUGHES BROTHERS NEBRASKA INCORPORATED FOUNDED - 1921	DRG. NO.
Appr.		A-2136-G1
Appr.		



0 lbs.



6000 lbs.



12000 lbs.



18000 lbs



24000 lbs.



30000 lbs.

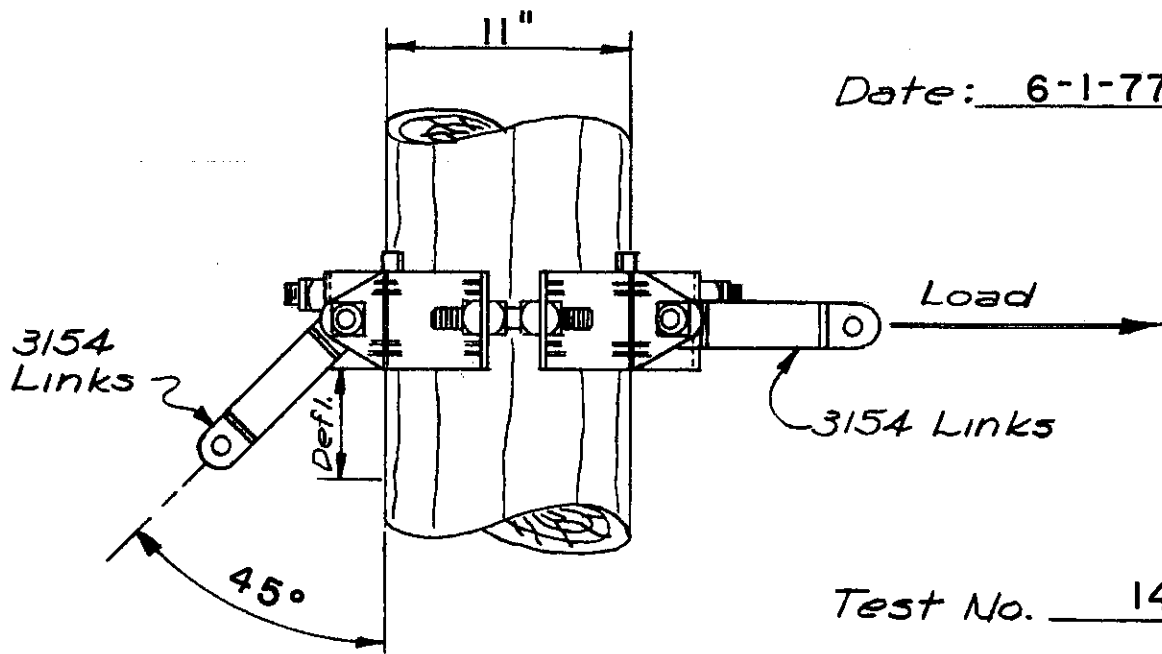


36000 lbs.



Failure

38000 lbs.



Date: 6-1-77

Test No. 14

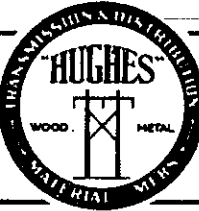
DATA

LOAD	CALCULATED GUY LOAD	DEFL.	PIC. No.	REMARKS
0	0	0	1	
6000	8485	1/8"	2	
12000	16971	5/8"	3	
18000	25456	1"	4	
24000	33941	1 1/2"	5	
30000	42426	2"	6	
34000	48083		7,8	Failure of Guying Links

No. 3108 POLE BAND TEST
45 DEGREE GUYING ANGLE

Drawn D. POLICKY
 Appr.
 Appr.

HUGHES
SEWARD
 FOUNDED - 1921



BROTHERS
NEBRASKA
 INCORPORATED

DRG. NO.
A-2136-G2



0 lbs.



6000 lbs.



12000 lbs.



18000 lbs.



24000 lbs.



30000 lbs



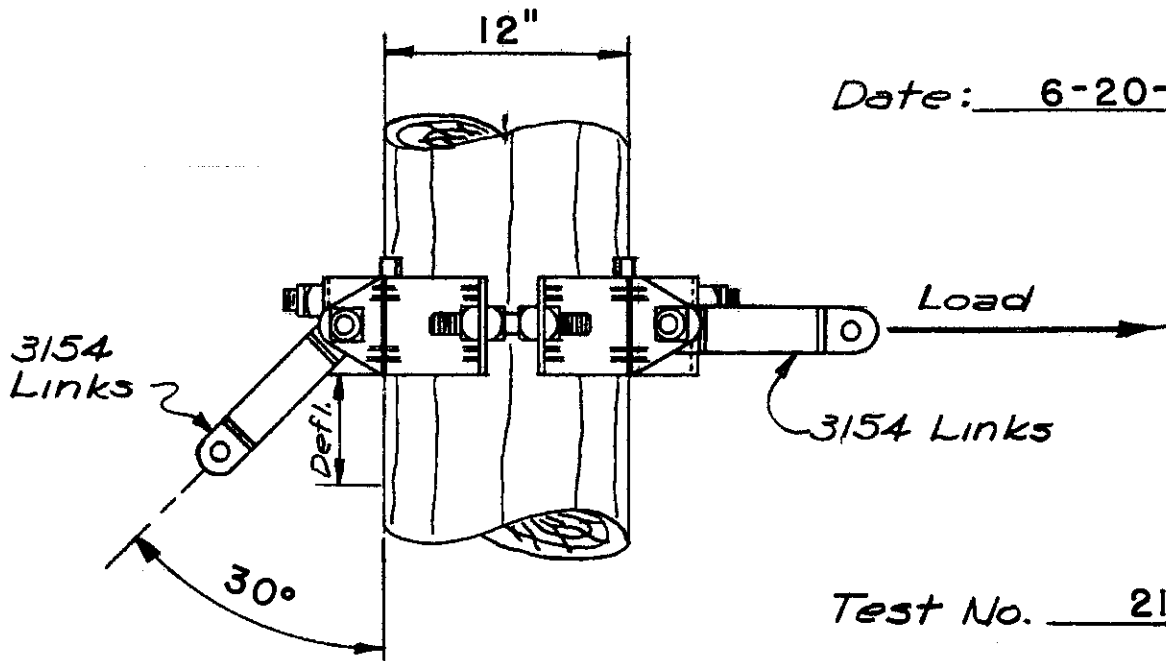
Failure

34000 lbs.



Failure

34000 lb



Date: 6-20-77

Test No. 21

DATA

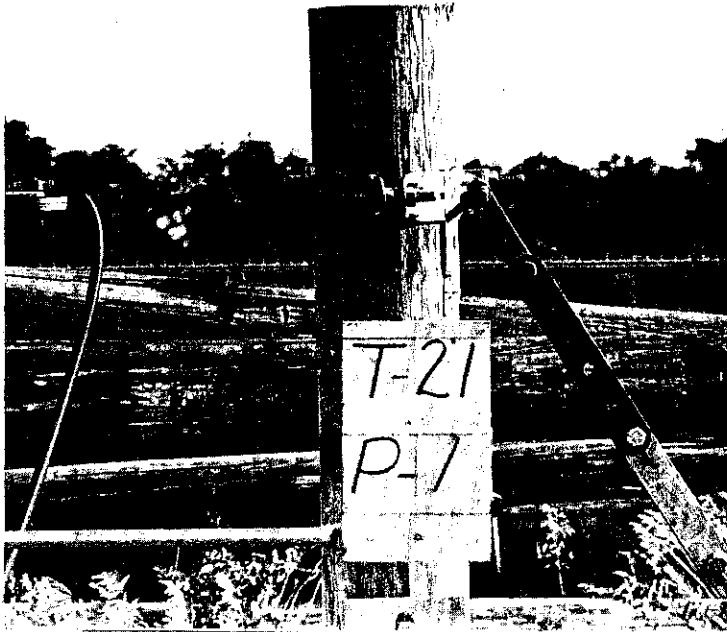
LOAD	CALCULATED GUY LOAD	DEFL.	PIC. No.	REMARKS
0	0	0	1	
6000	12000	1/4"	2	
8500	17000	3/8"	3	
12000	24000	7/16"	4	
17000	34000	1"	5	
24000	48000	2"	6	
26000	52000		7,8	Failure of Shear Block

No. 3108 POLE BAND TEST
30 DEGREE GUYING ANGLE

Drawn D. POLICKY
 Appr.
 Appr.

HUGHES BROTHERS
SEWARD NEBRASKA
 INCORPORATED
 FOUNDED - 1921

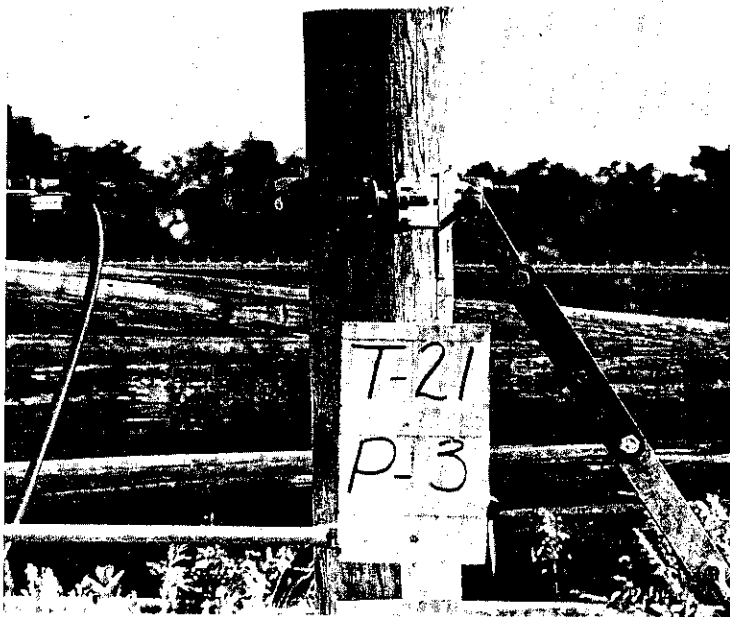
ORG. NO.
A-2136-G3



0 lbs.



6000 lbs.



8500 lbs.



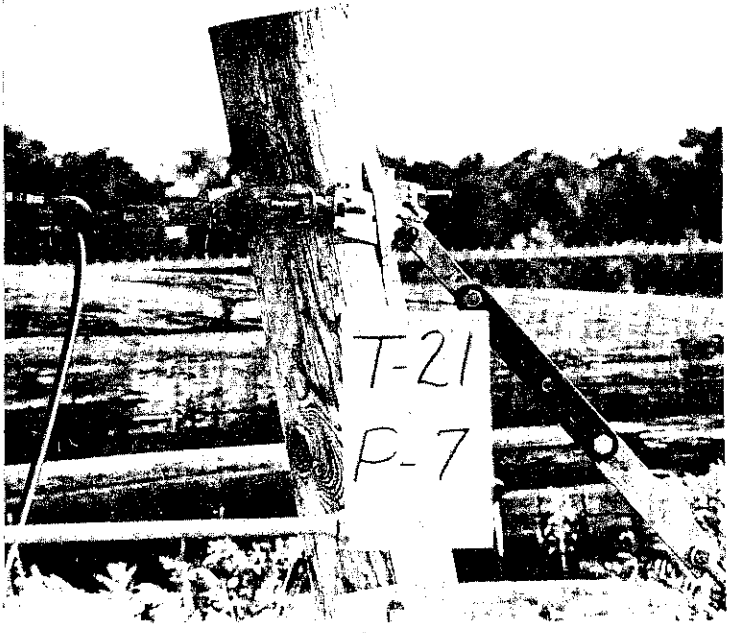
12000 lbs.



17000 lbs.

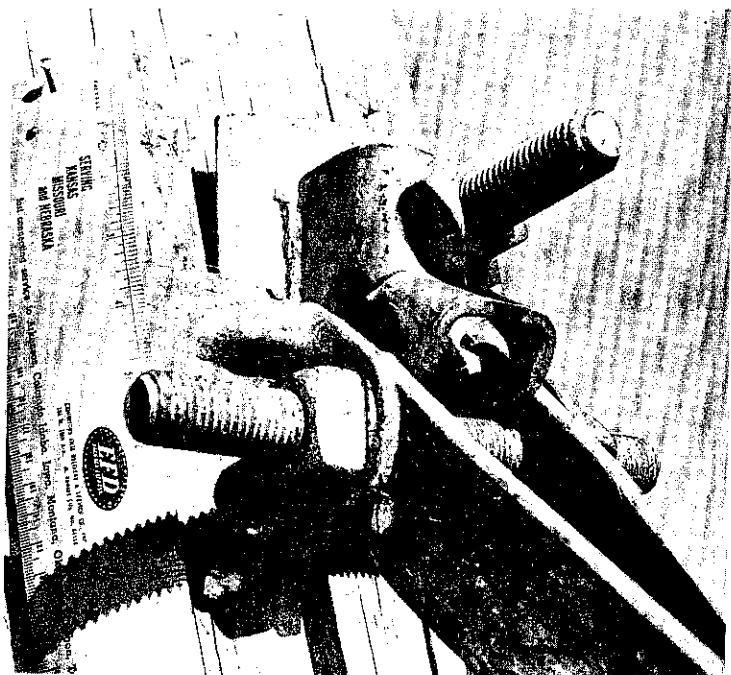


24000 lbs



Failure

26000 lbs.



Failure

26000 lbs.