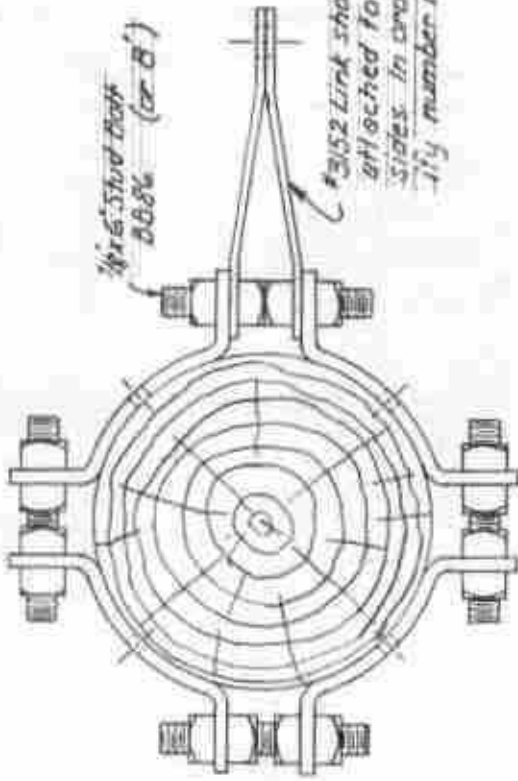
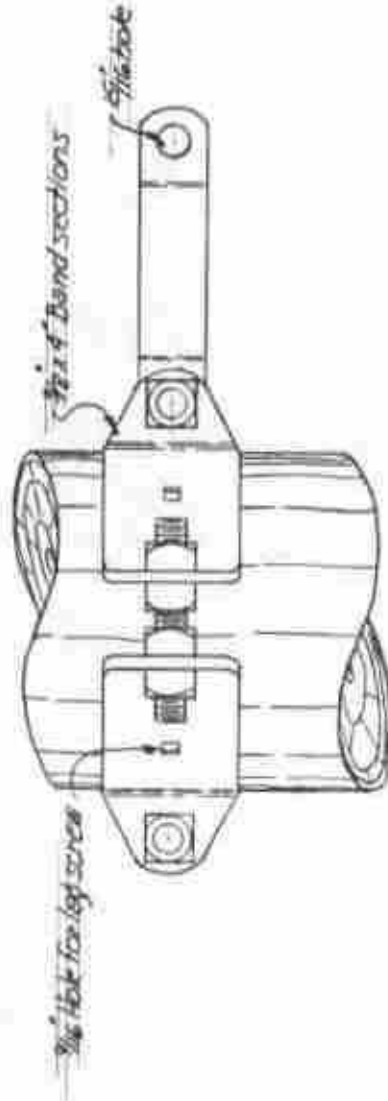


**NO. 3103
POLE BAND
TEST REPORT**

**HUGHES
BROTHERS**



#3152 Link shown may be attached to any or all sides. In ordering specify number required.



Stock No.	Pole Diameter	Band Section Part No.	Unbent Length of Band Inc.
3103.5	7" to 10"	3103.5A	8 3/4"
3103.6	9" to 12"	3103.6A	10"
3103.7	11" to 14"	3103.7A	11 1/2"
3103.8	13" to 16"	3103.8A	13"
3103.9	15" to 18"	3103.9A	14 1/2"
3103.10	17" to 20"	3103.10A	16 1/2"

No. 3103 POLE BAND

Revised 3-19-65 R.B.
Revised 2-3-61

Hughes
INC.

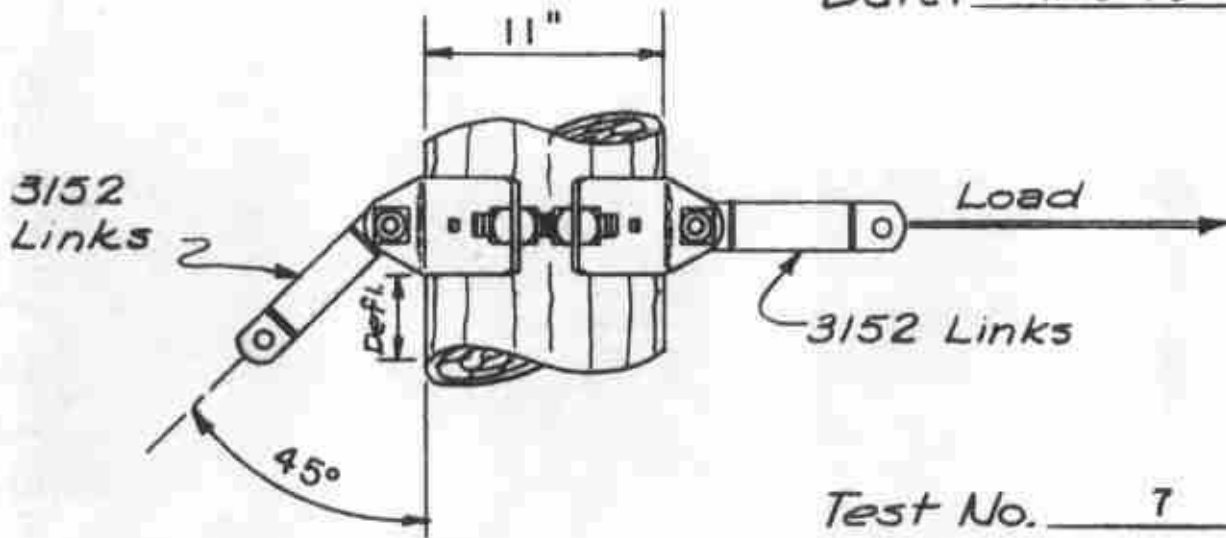


HUGHES
SEWARD
INCORPORATED

BROTHERS
NEBRASKA

DRG. NO. 3103

Date: 11-3-76



Test No. 7

Note: Band included 4-LS-54

DATA

LOAD	CALCULATED GUY LOAD	DEFL.	Pic No.	REMARKS
0	0	0	1	
3000	4243	1/8"	2	
6000	8485	1/2"	3	
8000	11314	1"	4	
9000	12728	1 1/8"	5	
12000	16971	1 7/8"	6	
16000	22627		7	
21000	29698		8	Failure of Guying Links

No. 3103 POLE BAND TEST
45 DEGREE GUYING ANGLE

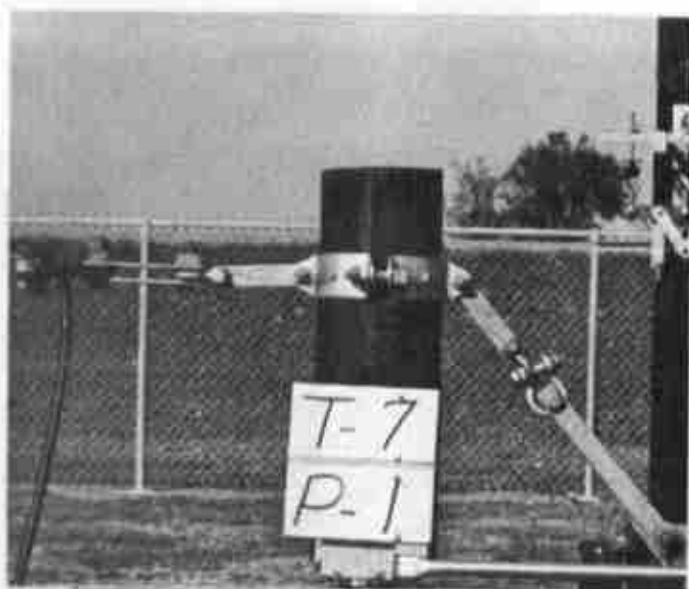
Drawn D. POLICKY
 Appr.
 Appr.

HUGHES
SEWARD
 FOUNDED - 1921

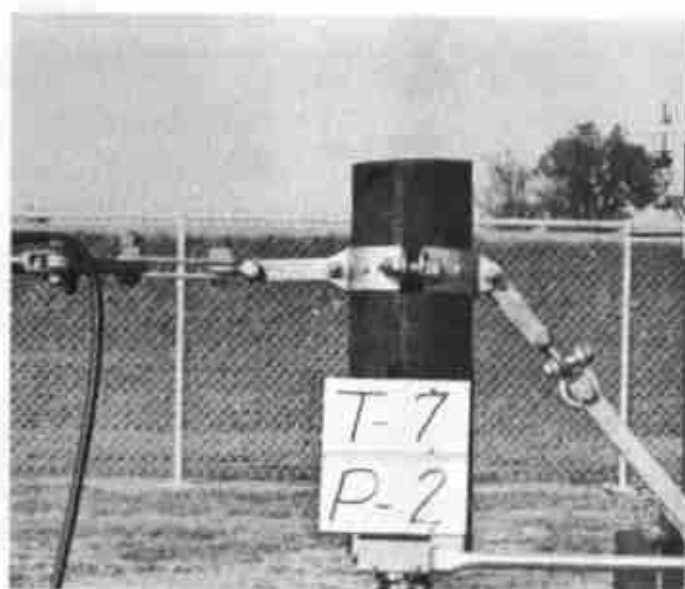


BROTHERS
NEBRASKA
 INCORPORATED

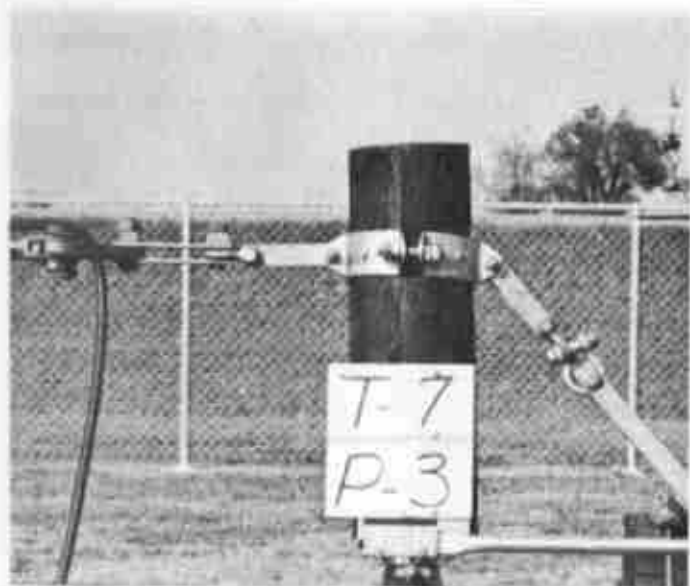
DRG. NO.
 A-2136-DI



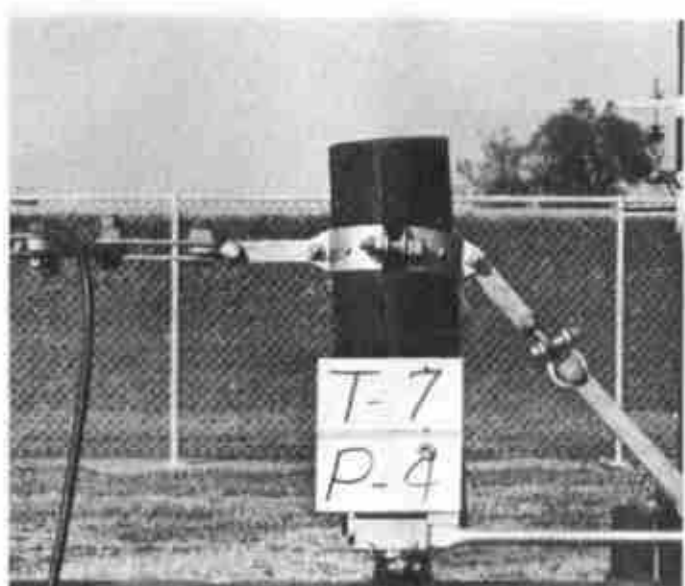
0 lbs.



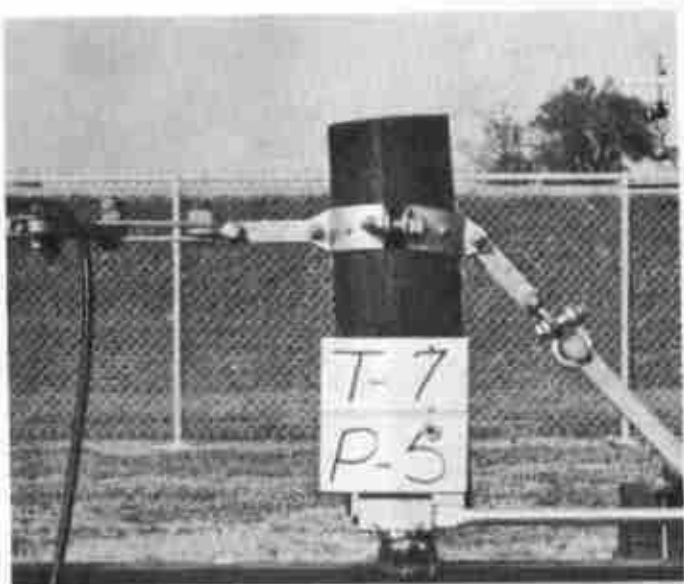
3000 lbs.



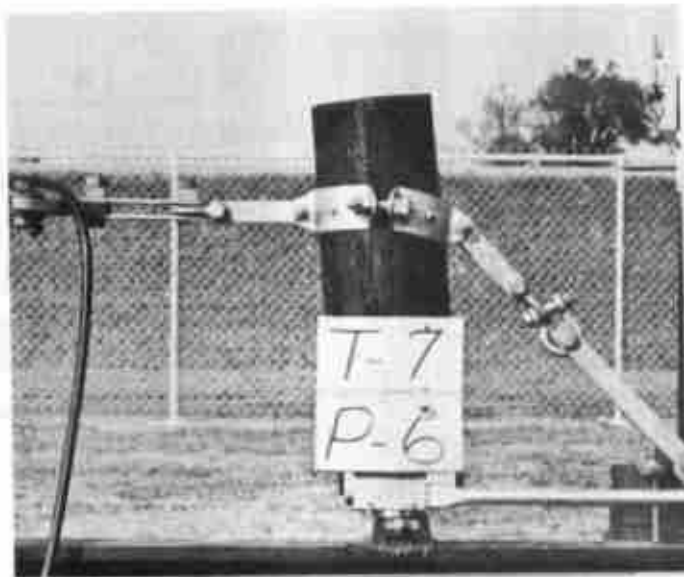
6000 lbs.



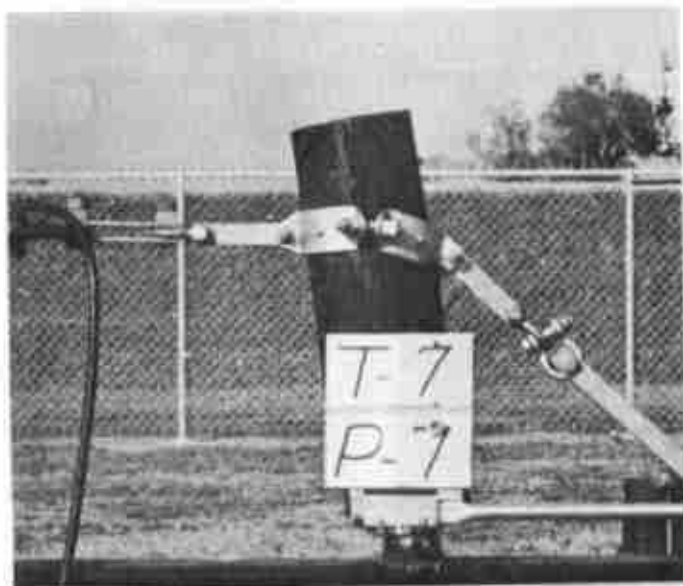
8000 lbs.



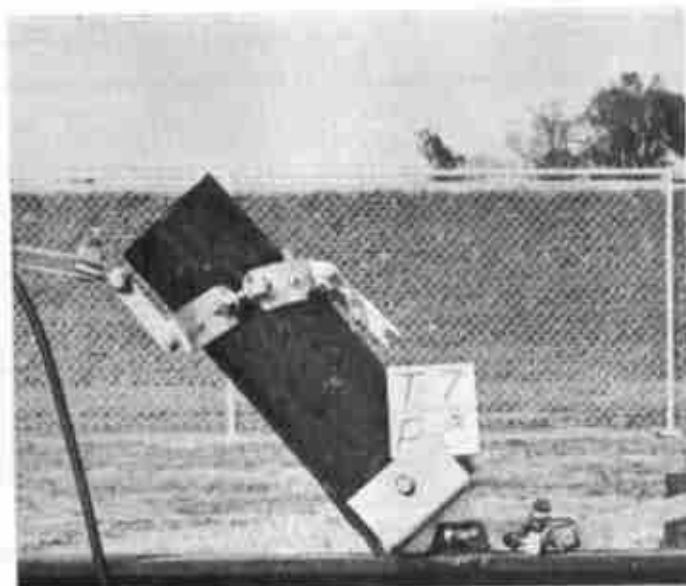
9000 lbs.



12000 lbs.



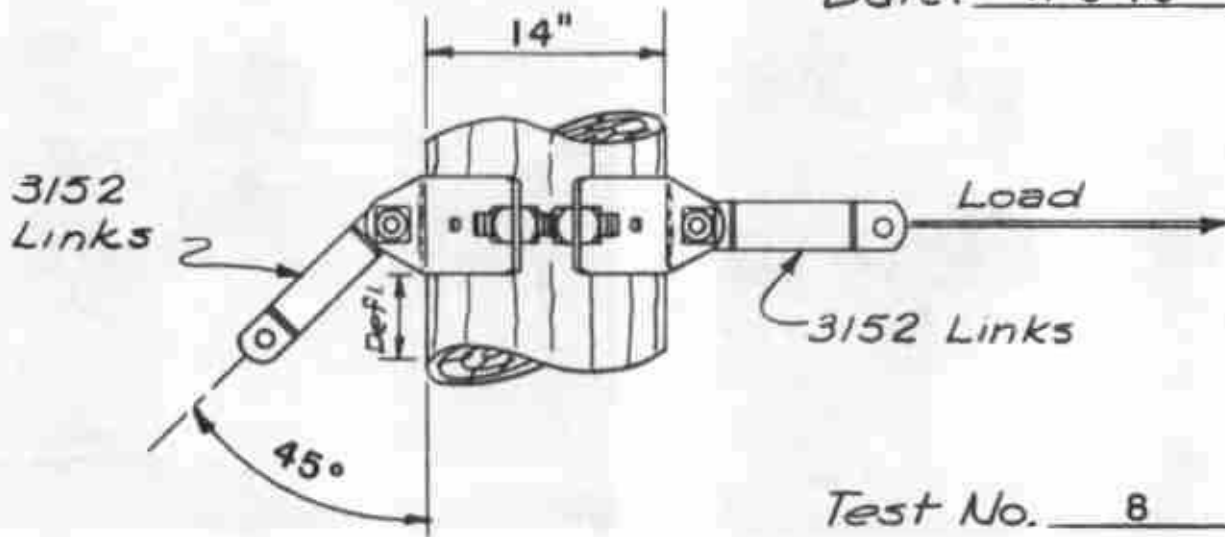
16000 lbs.



Failure

21000 lbs.

Date: 11-8-76



Test No. 8

Note: Band included 4-LS-54

DATA

LOAD	CALCULATED GUY LOAD	DEFL.	Pic No.	REMARKS
0	0	0	1	
3000	4243	1/4"	2	
6000	8485	3/8"	3	
8000	11314	5/8"	4	
9000	12728	3/4"	5	
12000	16921	1 1/4"	6	
16000	22627	2 5/8"	7	
20000	28284		8	Failure of Guying Link

No. 3103 POLE BAND TEST
45 DEGREE GUYING ANGLE

Drawn D. POLICKY

Appr.

Appr.

HUGHES
SEWARD

FOUNDED - 1921

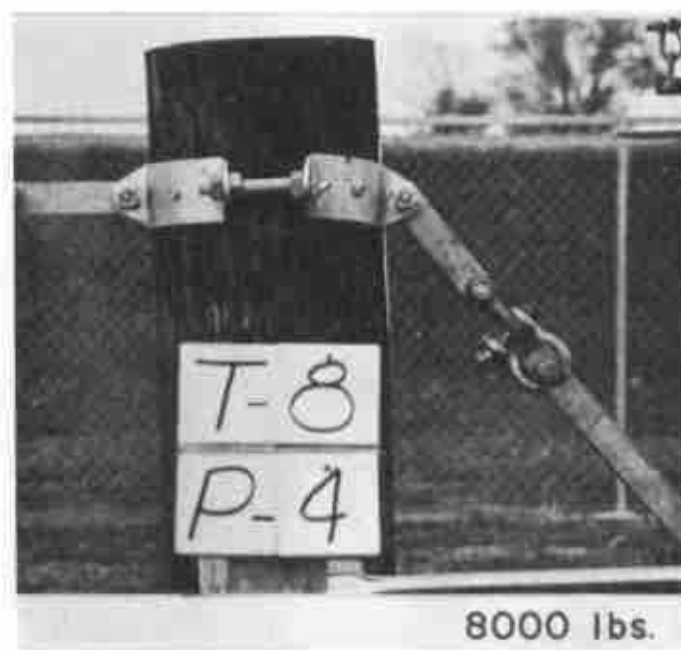
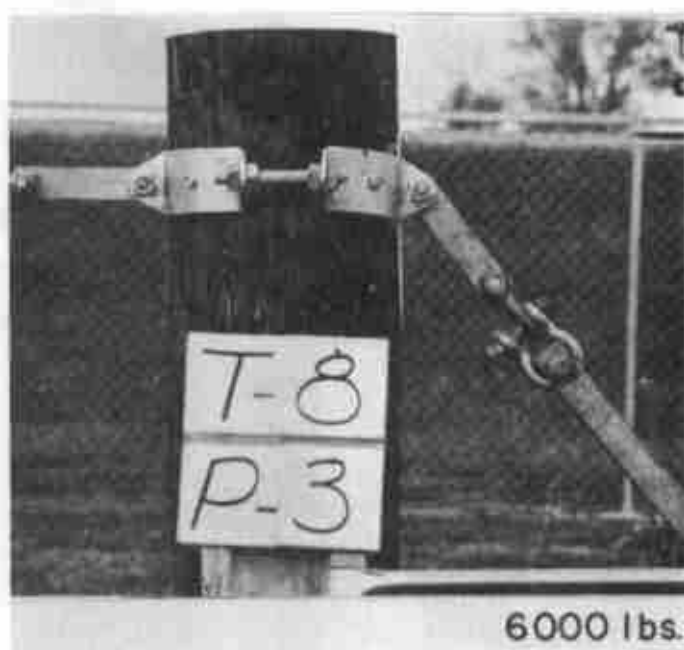
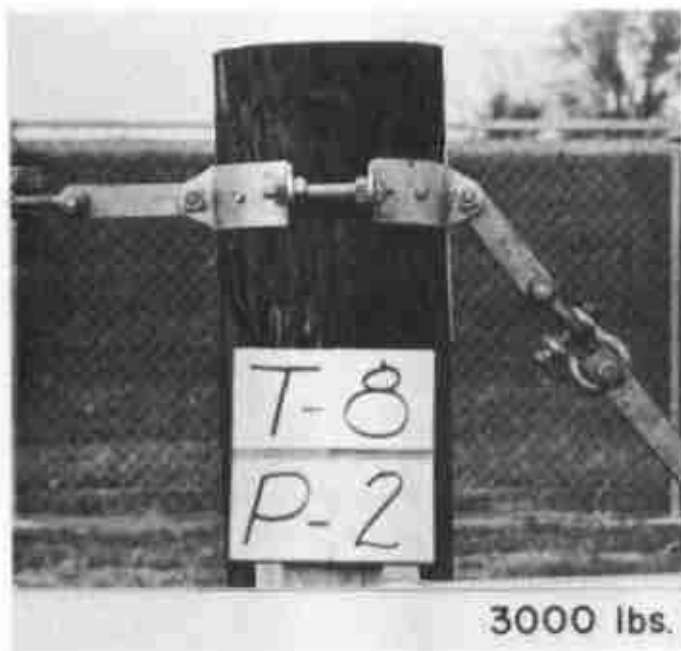
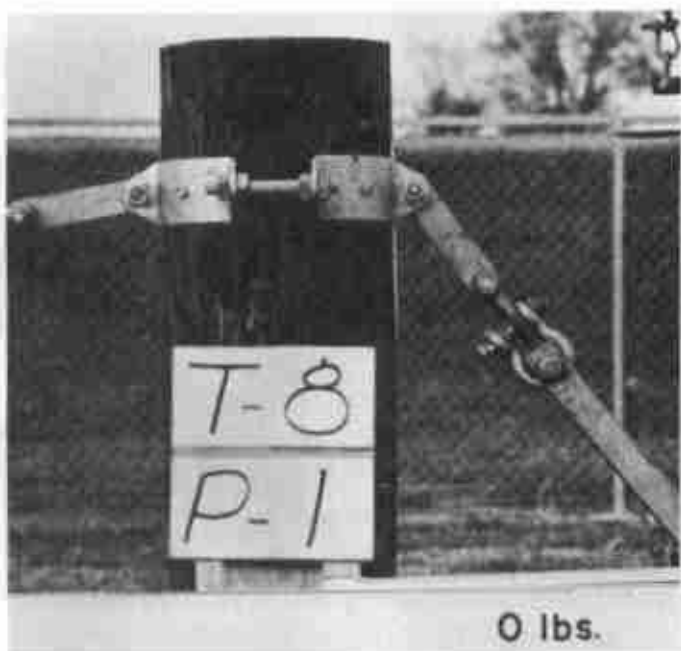


BROTHERS
NEBRASKA

INCORPORATED

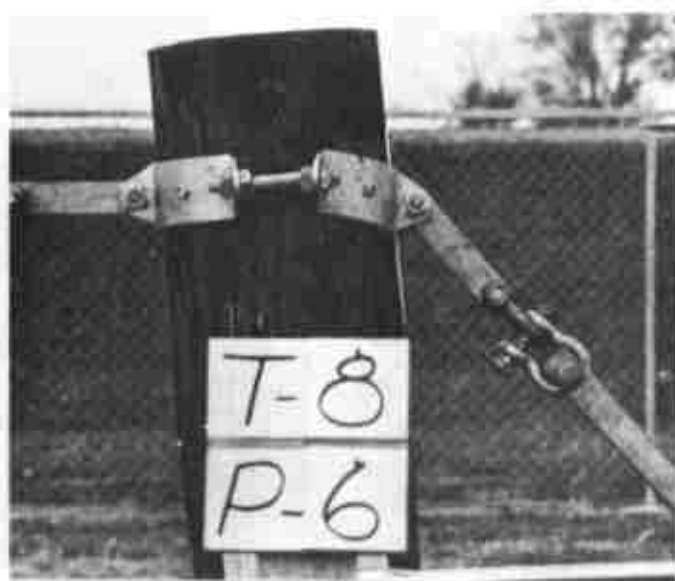
DRG. NO.

A-2136-D2





9000 lbs



12000 lbs.



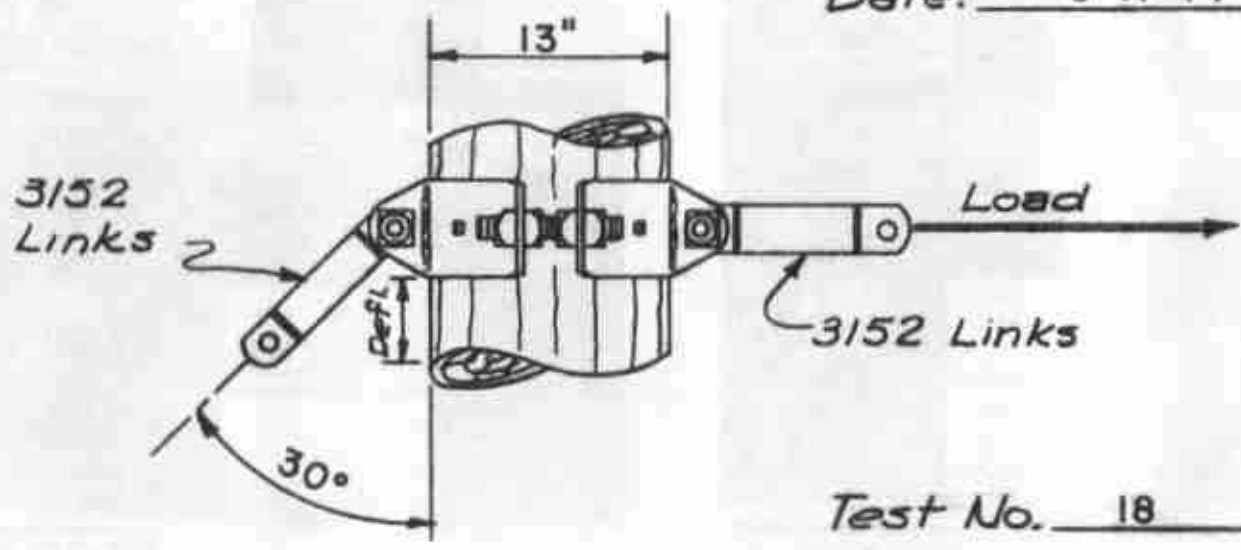
16000 lb



Failure

20000 lbs.

Date: 6-17-77



Test No. 18

Note: Band included 4-LS-54

DATA

LOAD	CALCULATED GUY LOAD	DEFL.	PIC. No.	REMARKS
0	0	0	1	
3500	7000	1/2"	2	
5000	10000	1"	3	
7000	14000	1 1/2"	4	
10000	20000	2 3/8"	5	
14000	28000	3 3/8"	6	
15000	30000		7	Failure of Guying Links

No. 3103 POLE BAND TEST
30 DEGREE GUYING ANGLE

Drawn D. POLICKY
Appr.
Appr.

HUGHES
SEWARD
FOUNDED - 1921



BROTHERS
NEBRASKA
INCORPORATED

DRG. NO.
A-2136-D3



0 lbs.



3500 lbs.



5000 lbs.



7000 lbs.



10000 lbs.



14000 lbs.



Failure

15000 lbs.