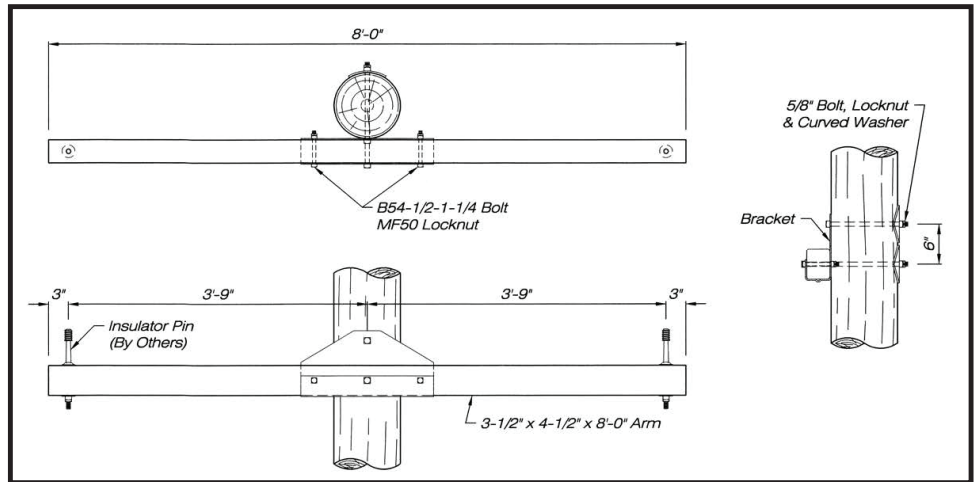




3378 SERIES BRACELESS DISTRIBUTION CROSSARM



Cost efficient, formed steel crossarm mounting bracket sold with or without the crossarm for a lower profile installation than traditional braced poletop assemblies. Available in galvanized or self-weathering steel.



BALANCED LOADING: Under balanced loading conditions, the crossarm held an average ultimate load of 2,570 pounds.



UNBALANCED LOADING: Under unbalanced loading conditions, the crossarm held an ultimate load of 2,170 pounds.

YOUR AREA SALES REP
FOR HUGHES BROTHERS IS:

