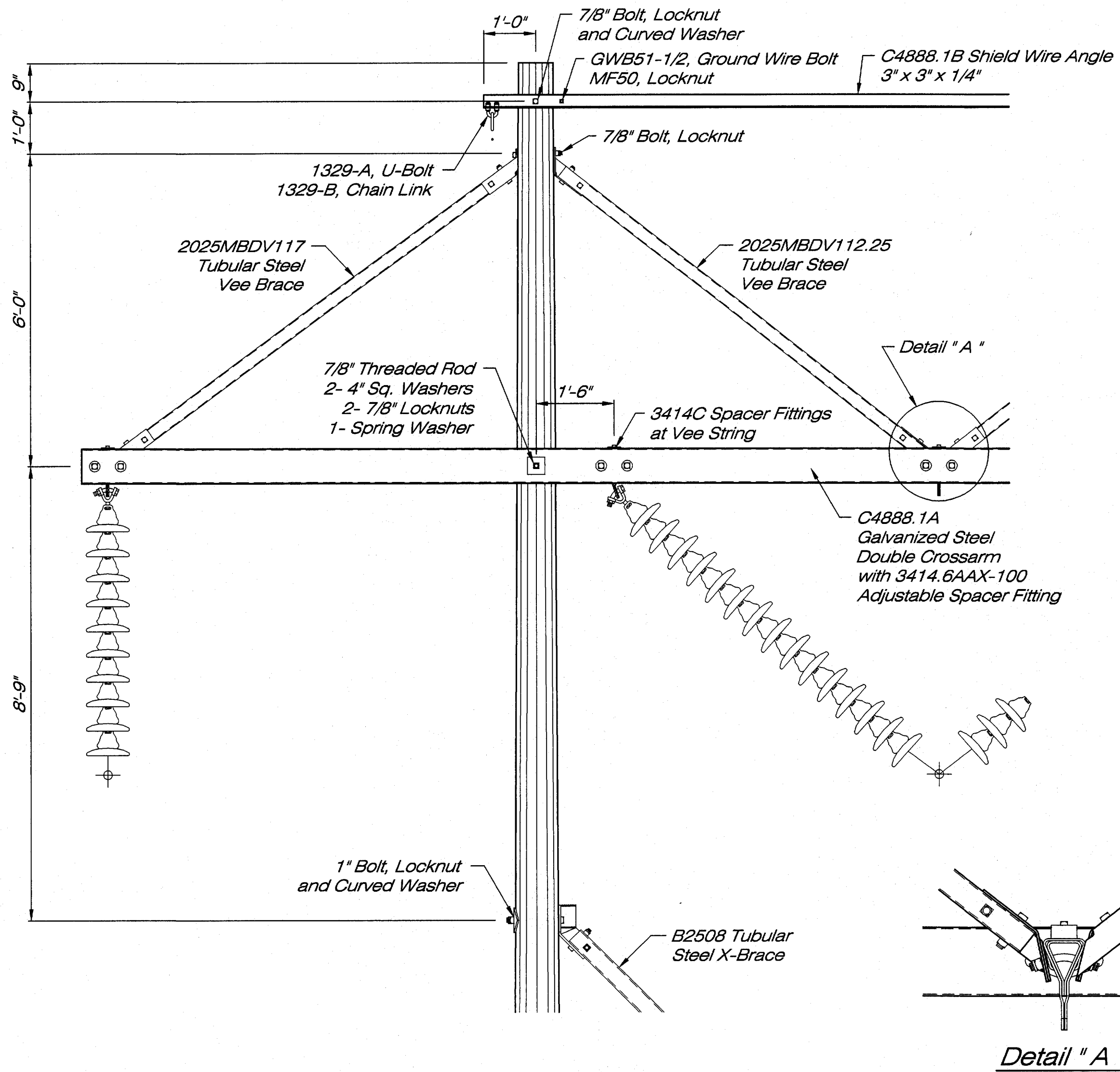
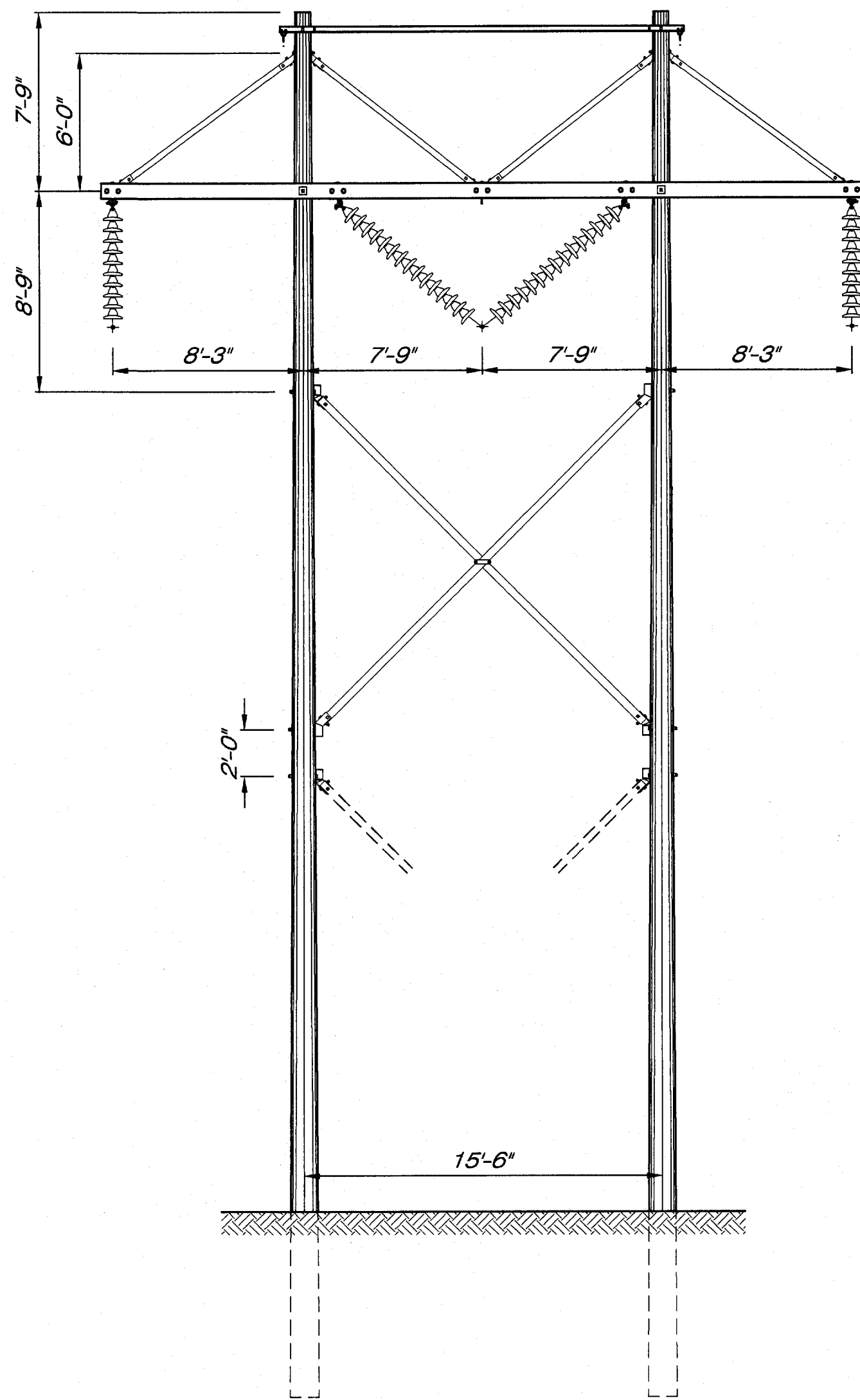


This Structure designed for the following conditions:

954 MCM Single Conductor
 3/8" EHS Shield Wire
 1000 Foot Span
 NESC Heavy Load

C4868-A Tangent Structure
230 KV Construction
Cinergy
Plainfield, Indiana

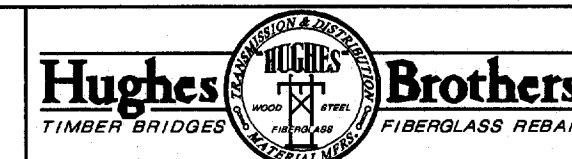
CONFIDENTIAL This document includes information that is proprietary to Hughes Brothers, Inc., and shall not be disclosed or used except as expressly authorized.	Revision 2-12-2004	HUGHES BROTHERS, INC. 210 N 13TH STREET - SEWARD, NE 68434	Drawn MGLV	Date Printed
			Date © 7-24-2003	C4868-A



**South Mississippi EPA
161 kV Steel H-Frame
Tangent V-String Structure**

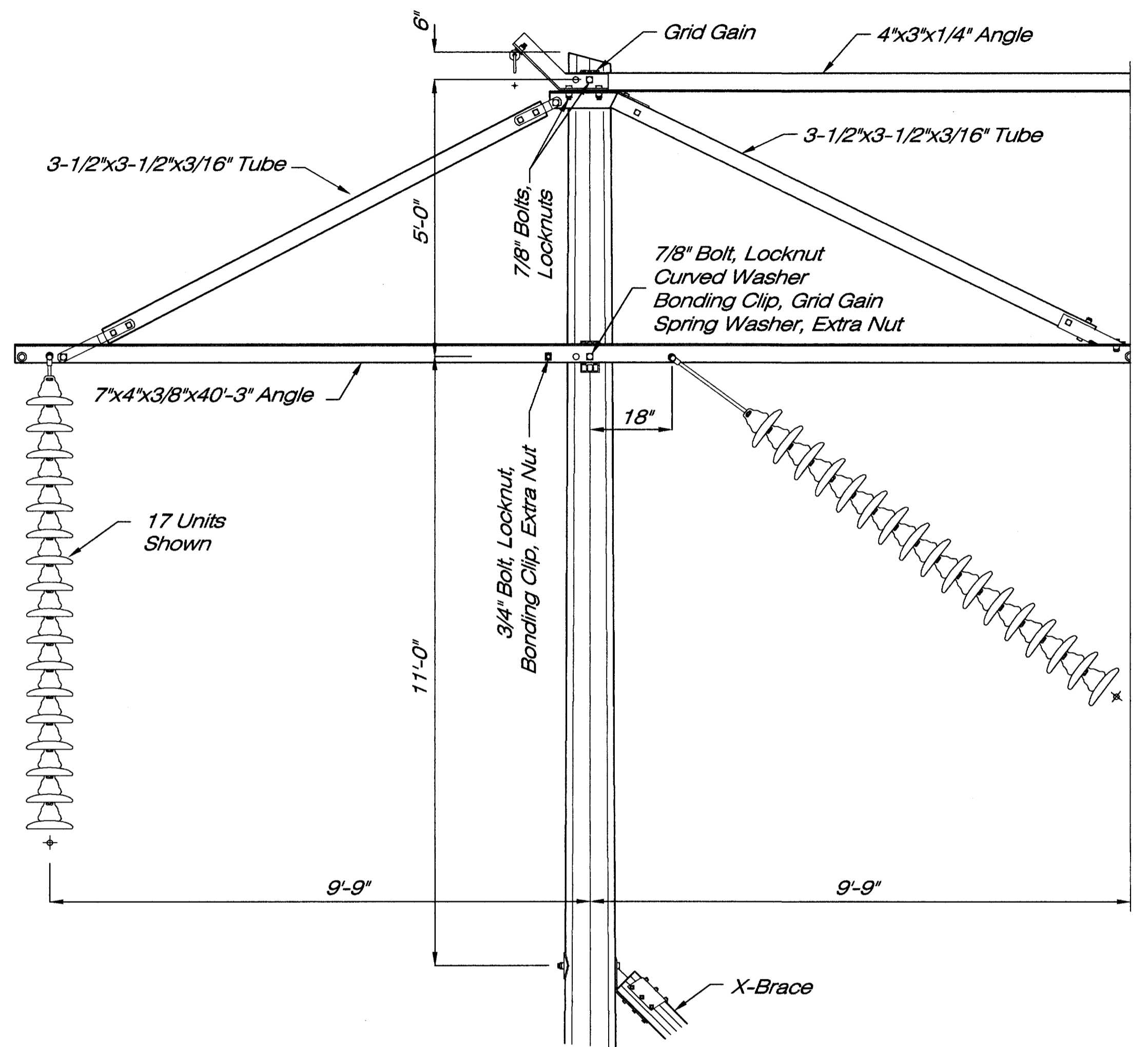
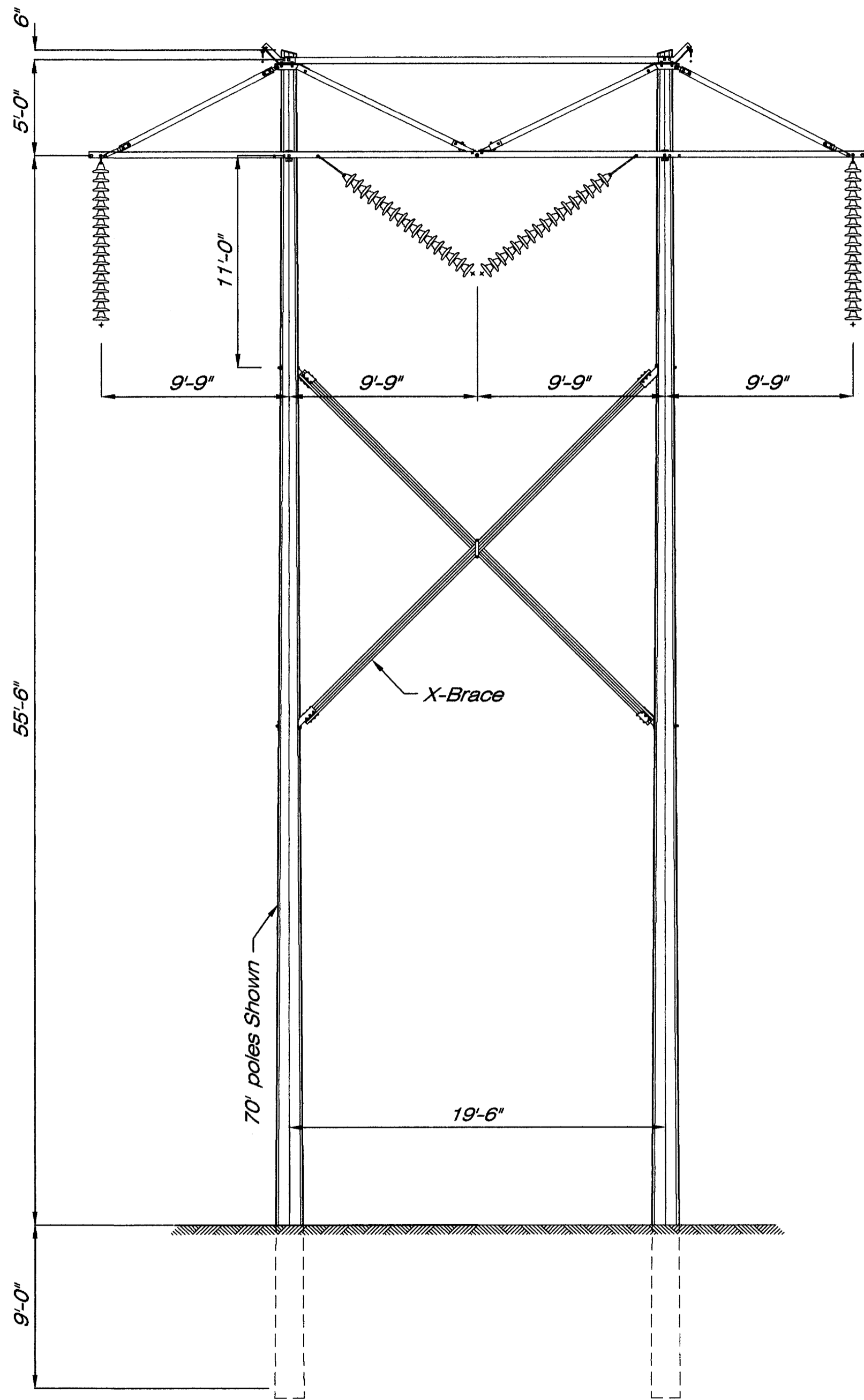
CONFIDENTIAL
This document includes information that is proprietary to Hughes Brothers, Inc., and shall not be disclosed or used except as expressly authorized.

Revision
12-9-2005



Drawn *RP/MR*
Date © 11-1-2005 HBI

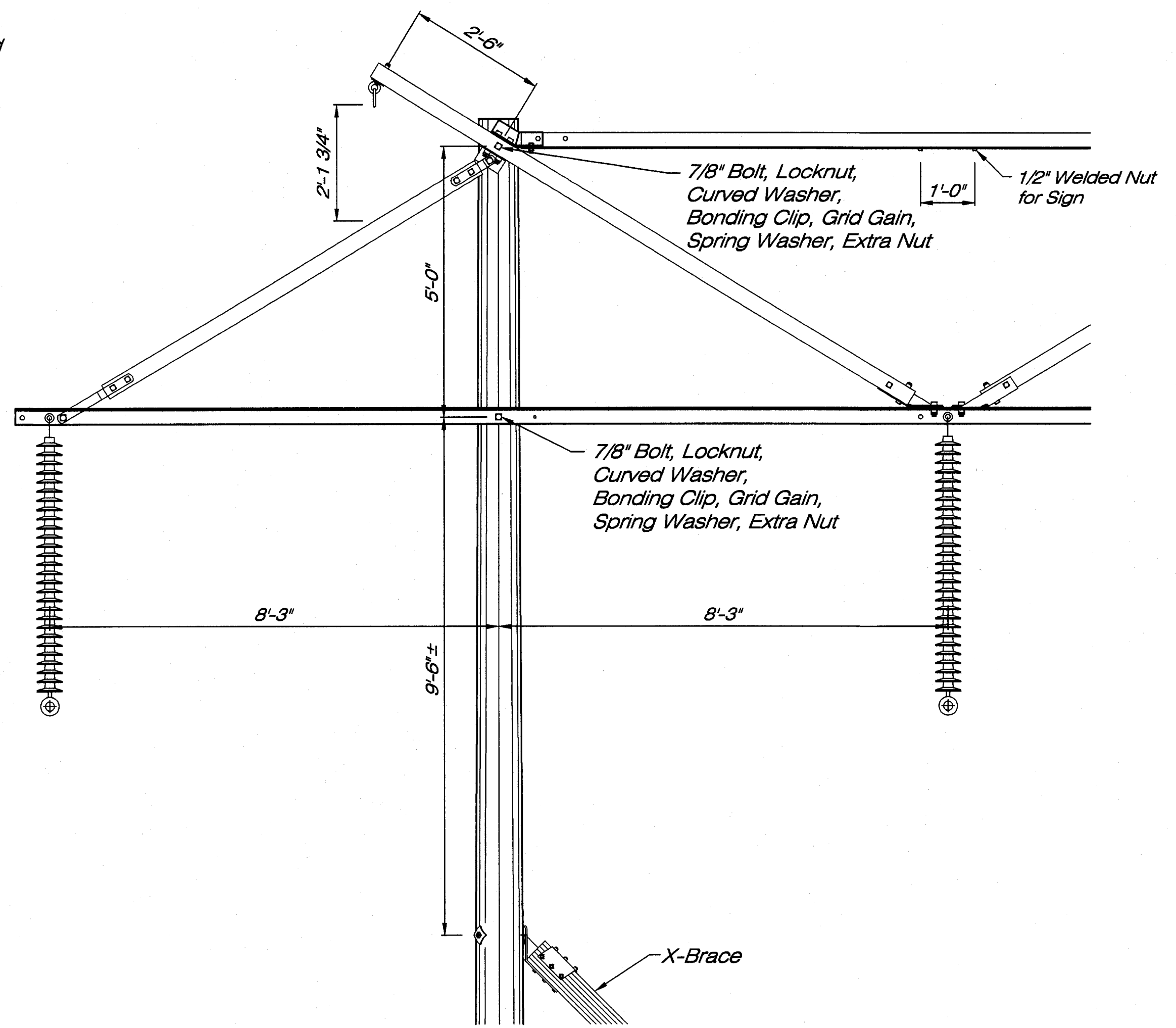
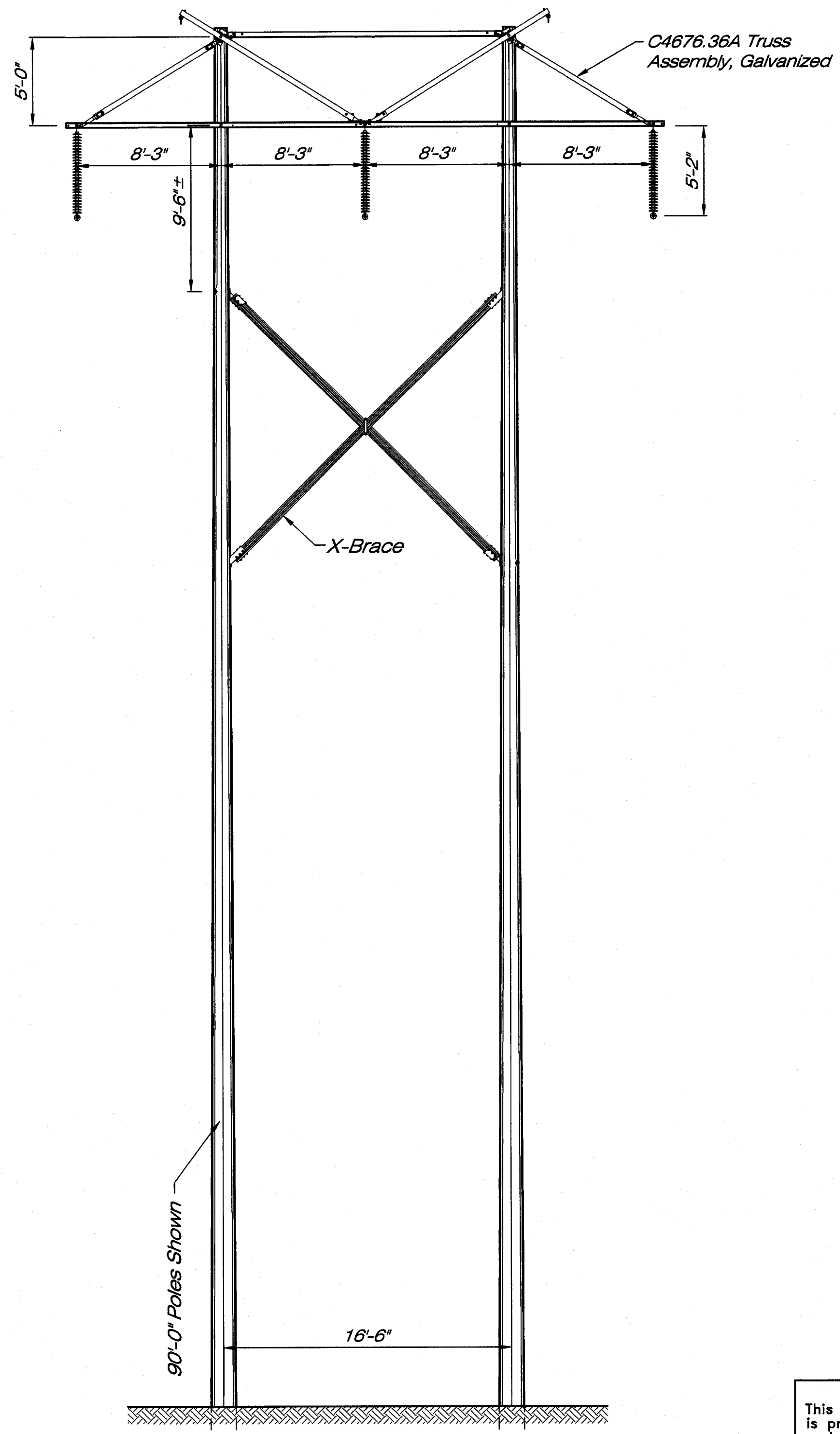
Date Printed
C4888-A



TYPE C4676-JJ TANGENT STRUCTURE
345 Kv. CONSTRUCTION
IDAHO POWER COMPANY
BOISE, IDAHO

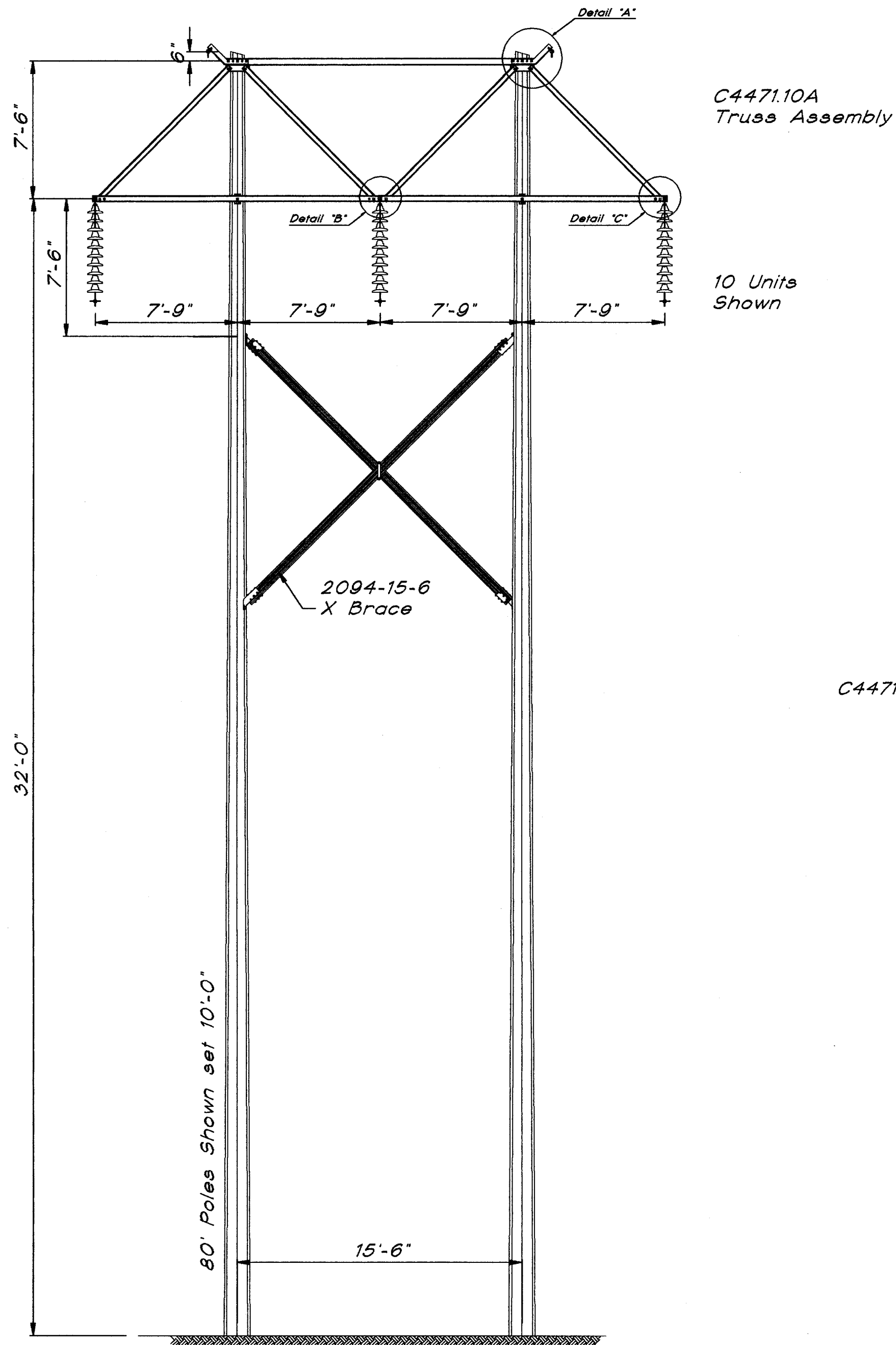
CONFIDENTIAL
 This document includes information that is proprietary to Hughes Brothers, Inc., and shall not be disclosed or used except as expressly authorized.

Revision	HUGHES BROTHERS, INC. 210 N 13TH STREET - SEWARD, NE 68434	Drawn <i>MCLV MC</i>	Date Printed
		Date © 5-21-91 HBI	C4676-JJ



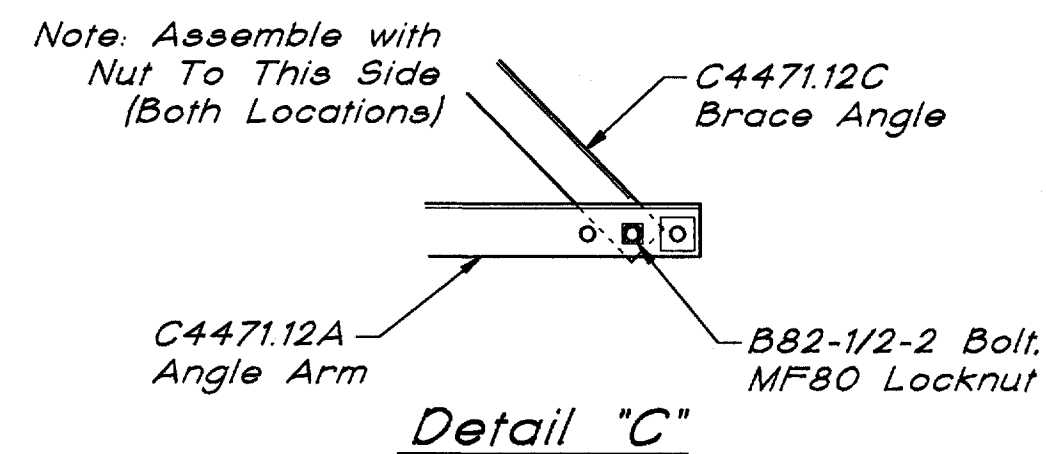
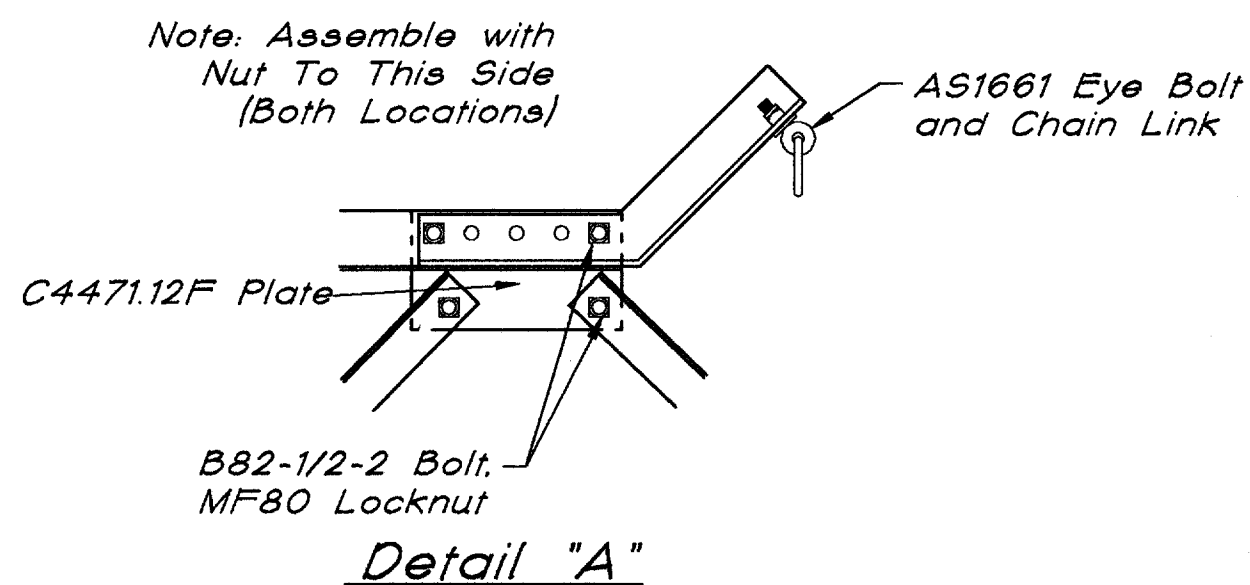
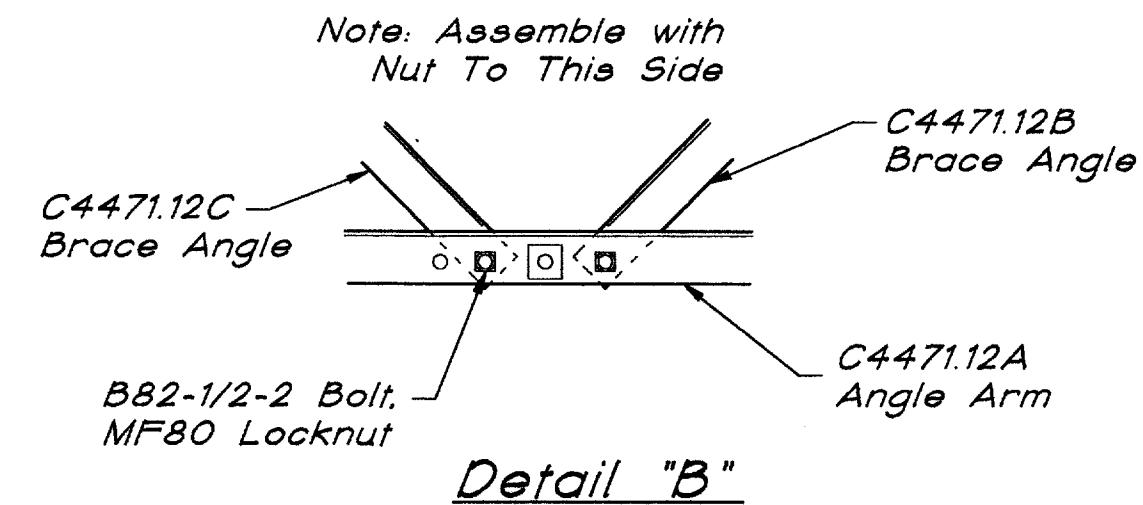
C4676-P
STEEL TRUSS ASSEMBLY
138 KV. CONSTRUCTION
IDAHO POWER COMPANY
BOISE, IDAHO

CONFIDENTIAL This document includes information that is proprietary to Hughes Brothers, Inc., and shall not be disclosed or used except as expressly authorized.	Revision 12-10-2004 4-21-2005 7-28-2006	HUGHES BROTHERS, INC. 210 N 13TH STREET - SEWARD, NE 68434	Drawn <i>MCLV</i>	Date Printed
			Date © 8-22-2003 HBI	C4676-P



C4471.10A
Truss Assembly

10 Units
Shown



CONFIDENTIAL
This document includes information that
is proprietary to Hughes Brothers, Inc.,
and shall not be disclosed or used except
as expressly authorized.

Revision



HUGHES BROTHERS, INC.
210 N 13TH STREET - SEWARD, NE 68434

Drawn *SM/LV*
Date © 2-19-96 HBI

Date
Printed
C4471-B3