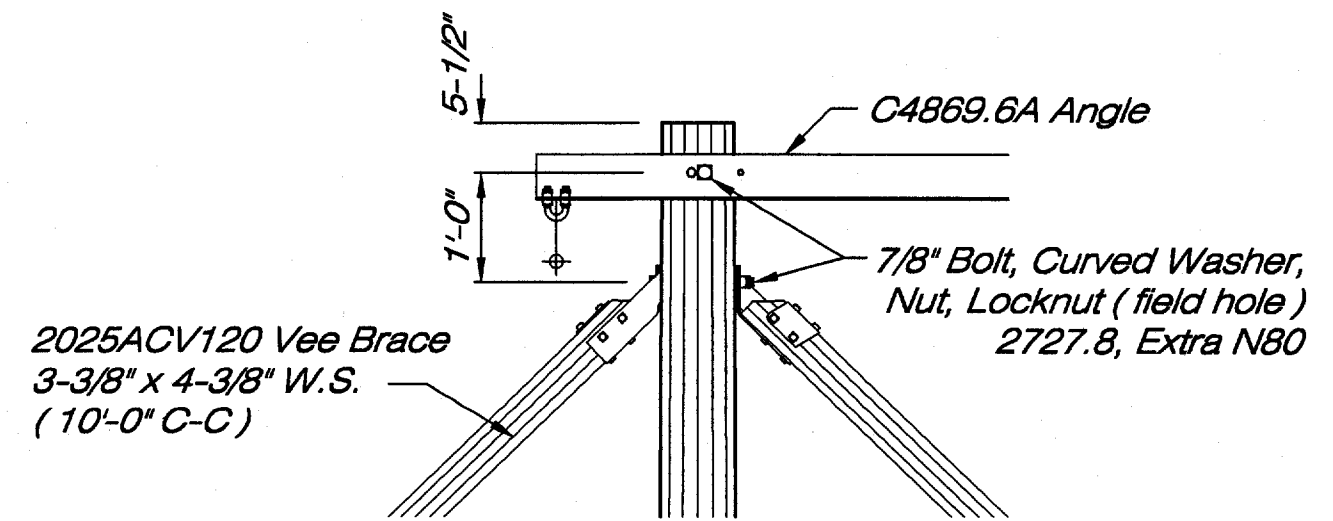
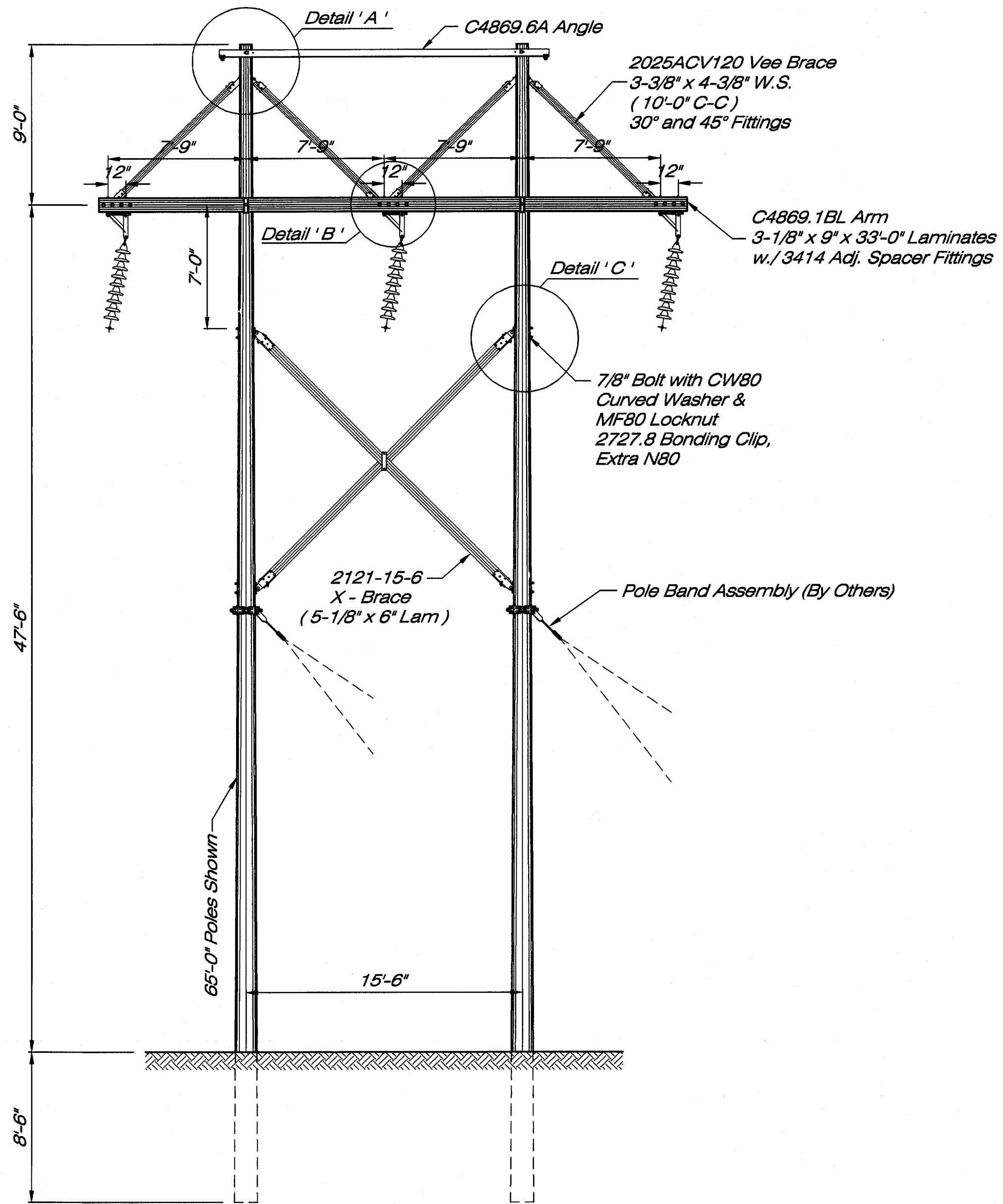
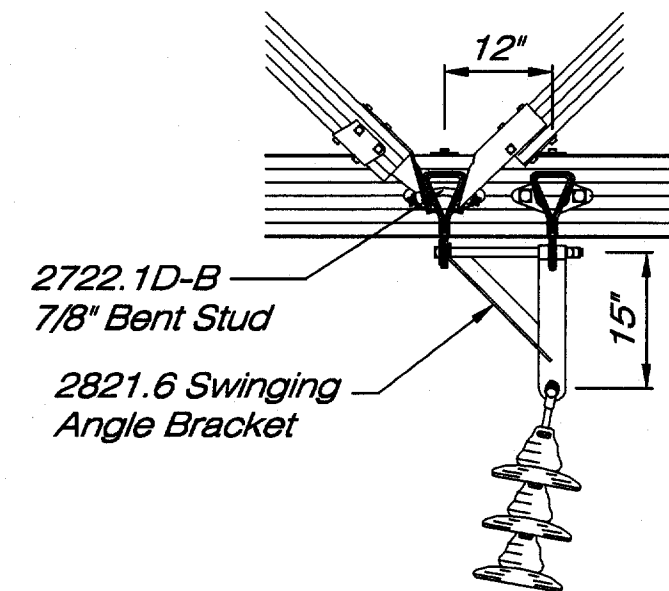


**C4869-A Tangent Structure**  
 — 138 Kv. Construction —  
 American Transmission Corp.  
 Pewaukee, Wisconsin

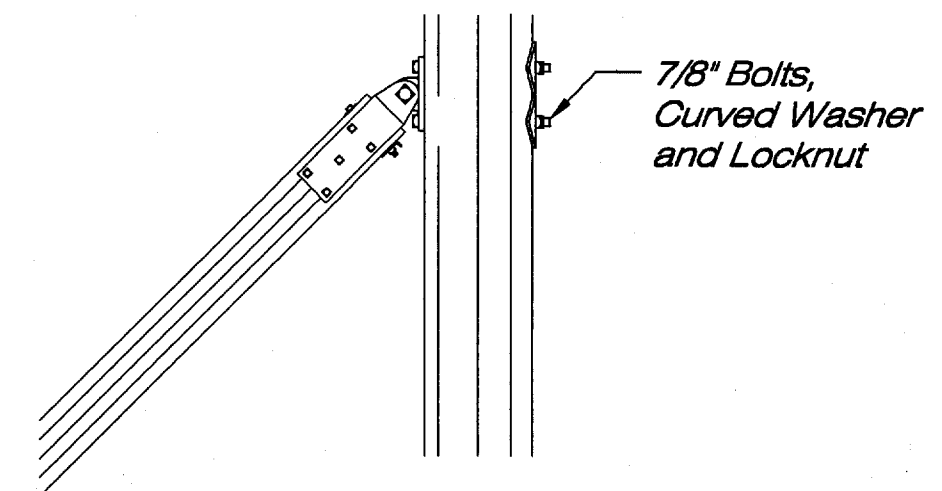
CONFIDENTIAL This document includes information that is proprietary to Hughes Brothers, Inc., and shall not be disclosed or used except as expressly authorized.	Revision 2-17-2004 7-9-2004	HUGHES BROTHERS, INC. 210 N 13TH STREET - SEWARD, NE 68434	Drawn SM/DB <i>[Signature]</i>	Date Printed
			Date © 8-6-2003 HBI	<b>C4869-A</b>



Detail 'A'



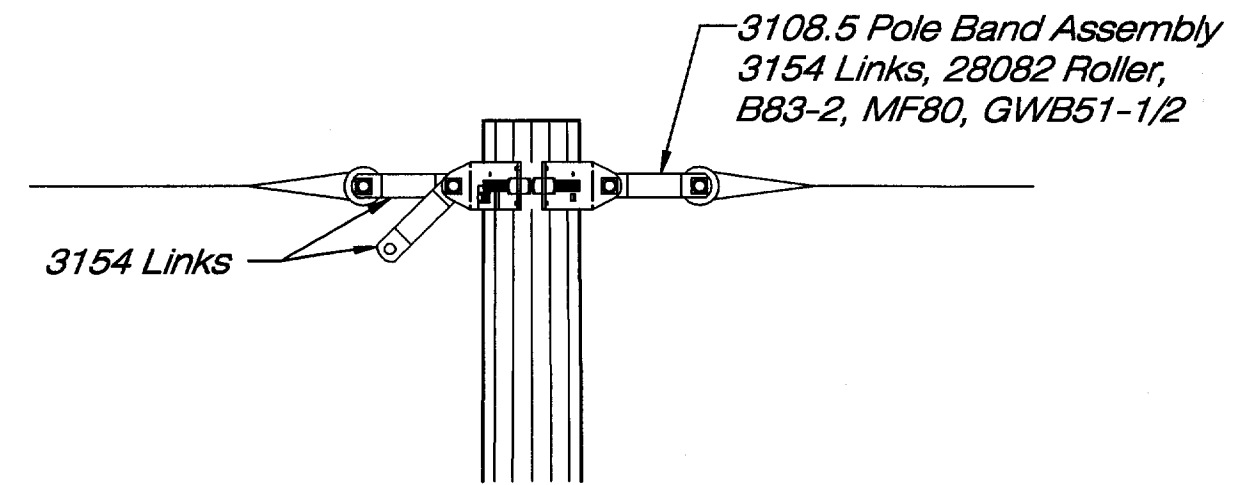
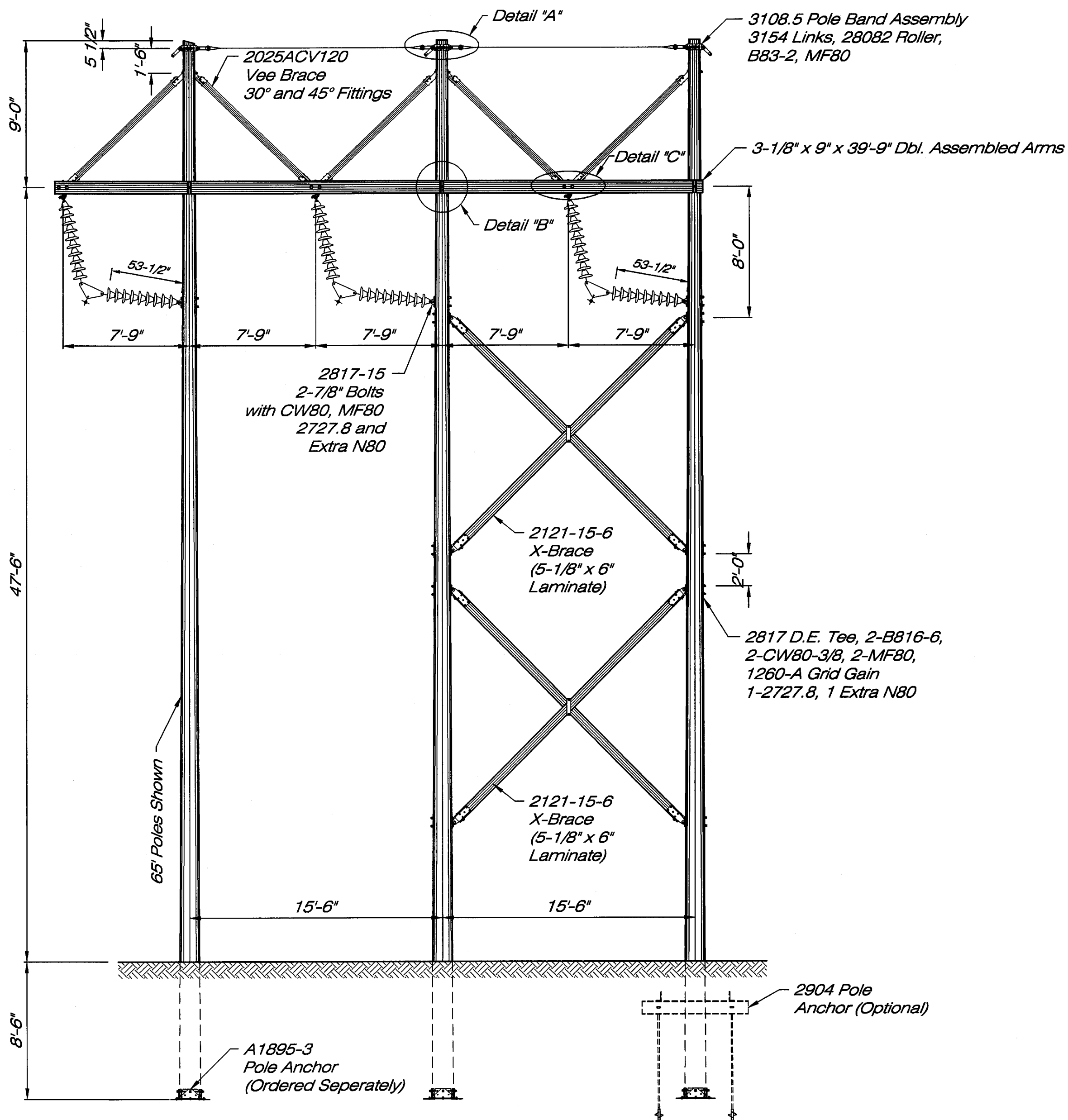
Detail 'B'



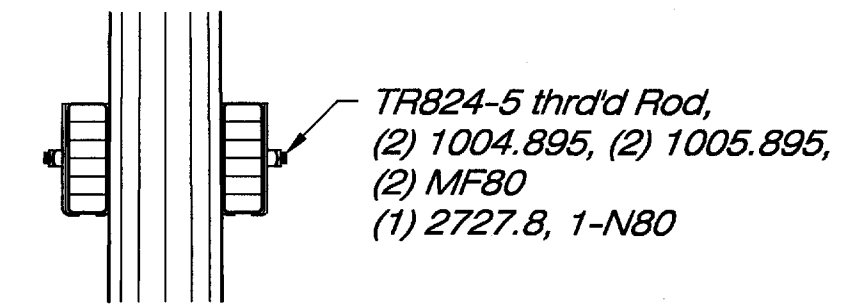
Detail 'C'

**C4869-C Slight Angle Structure**  
 — 138 Kv. Construction —  
 American Transmission Corp.  
 Pewaukee, Wisconsin

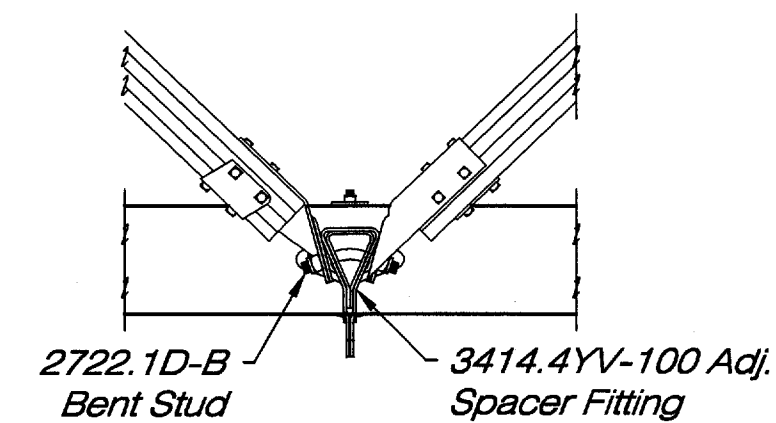
CONFIDENTIAL This document includes information that is proprietary to Hughes Brothers, Inc., and shall not be disclosed or used except as expressly authorized.	Revision 1-30-2004 2-17-2004 3-15-2004 7-9-2004	HUGHES BROTHERS, INC. 210 N 13TH STREET - SEWARD, NE 68434	Drawn SM/DB <i>W</i>	Date Printed
			Date © 8-6-2003 HBI	<b>C4869-C</b>



Detail "A"



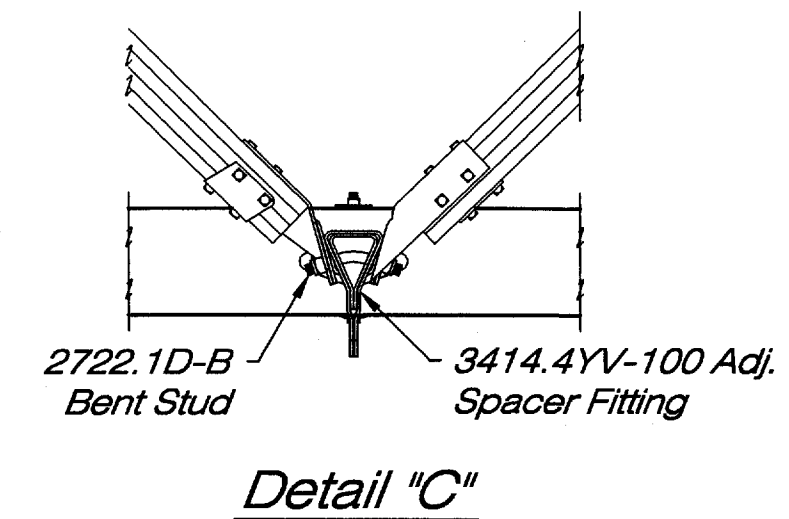
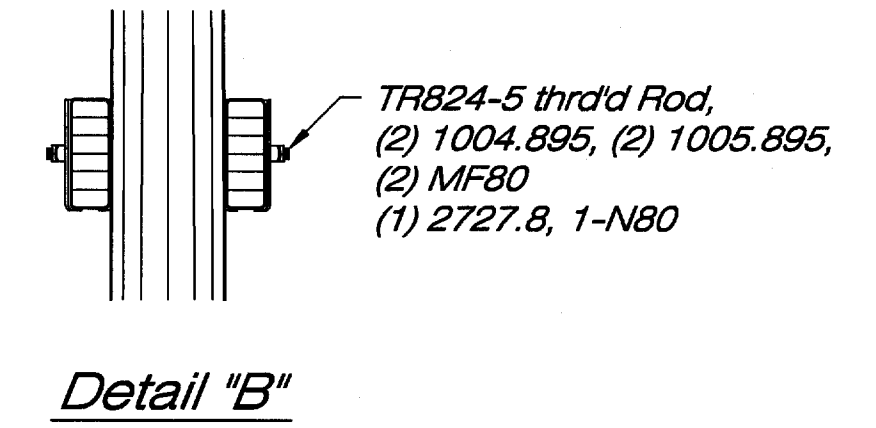
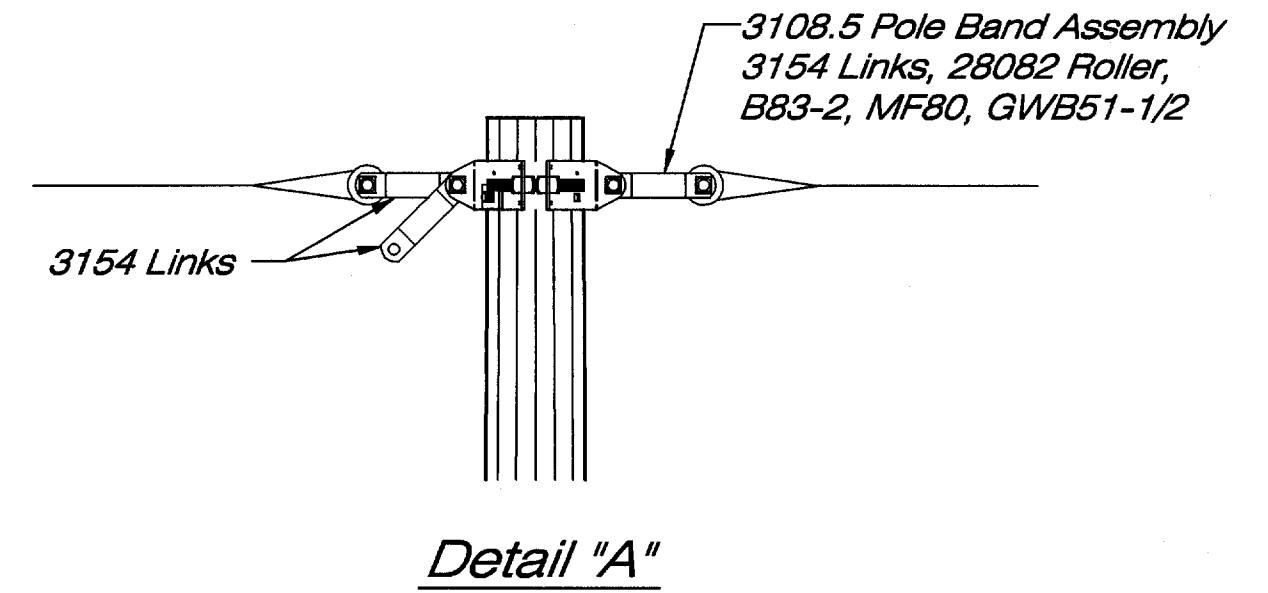
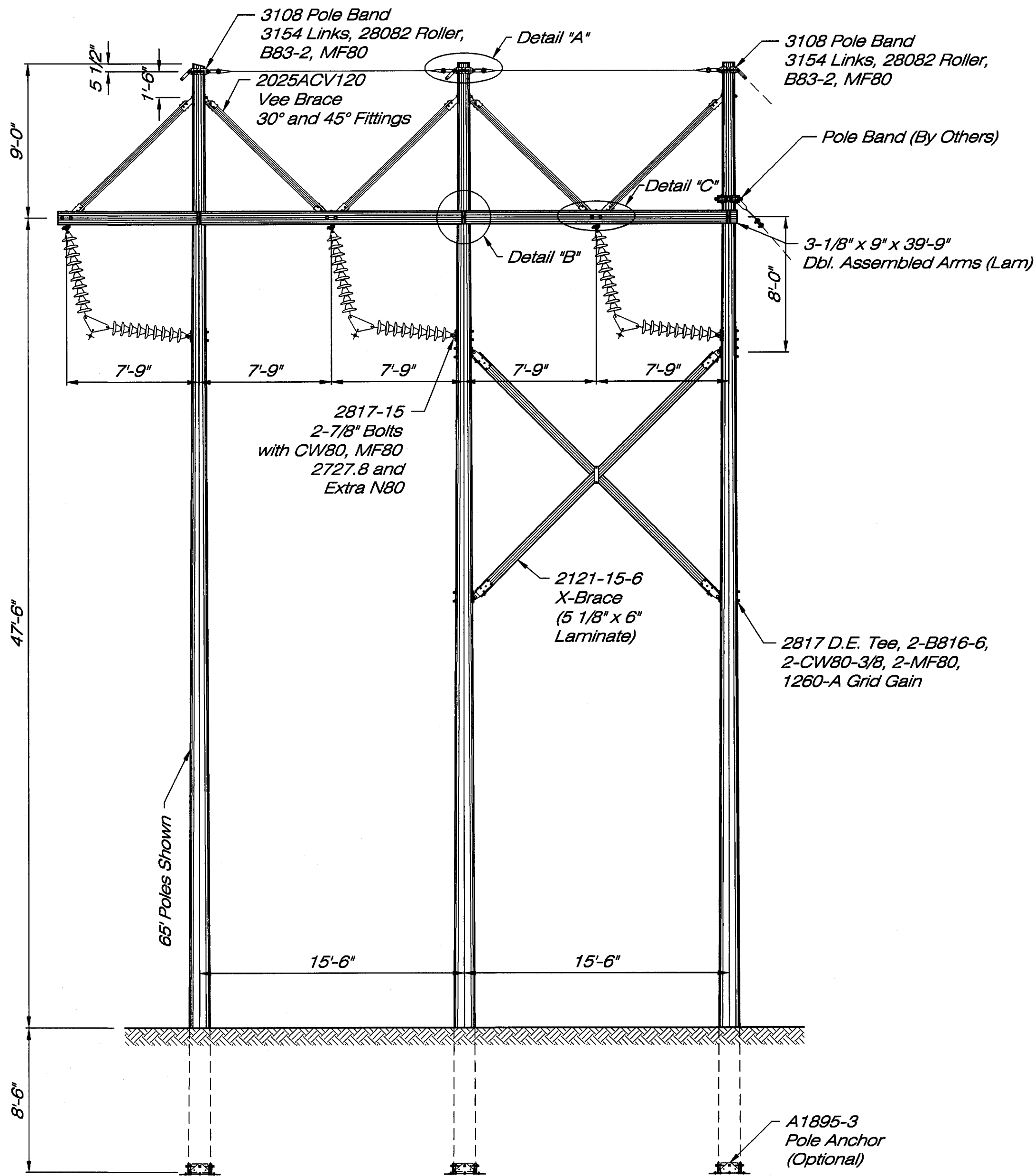
Detail "B"



Detail "C"

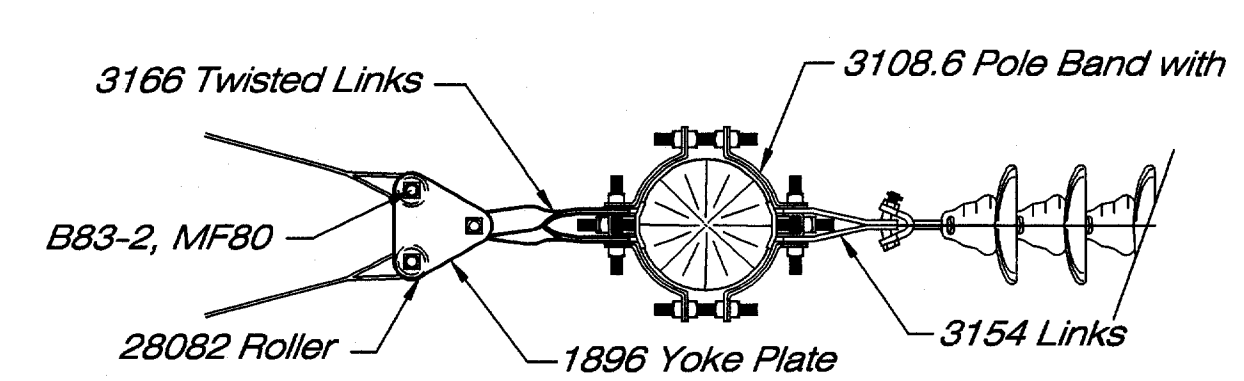
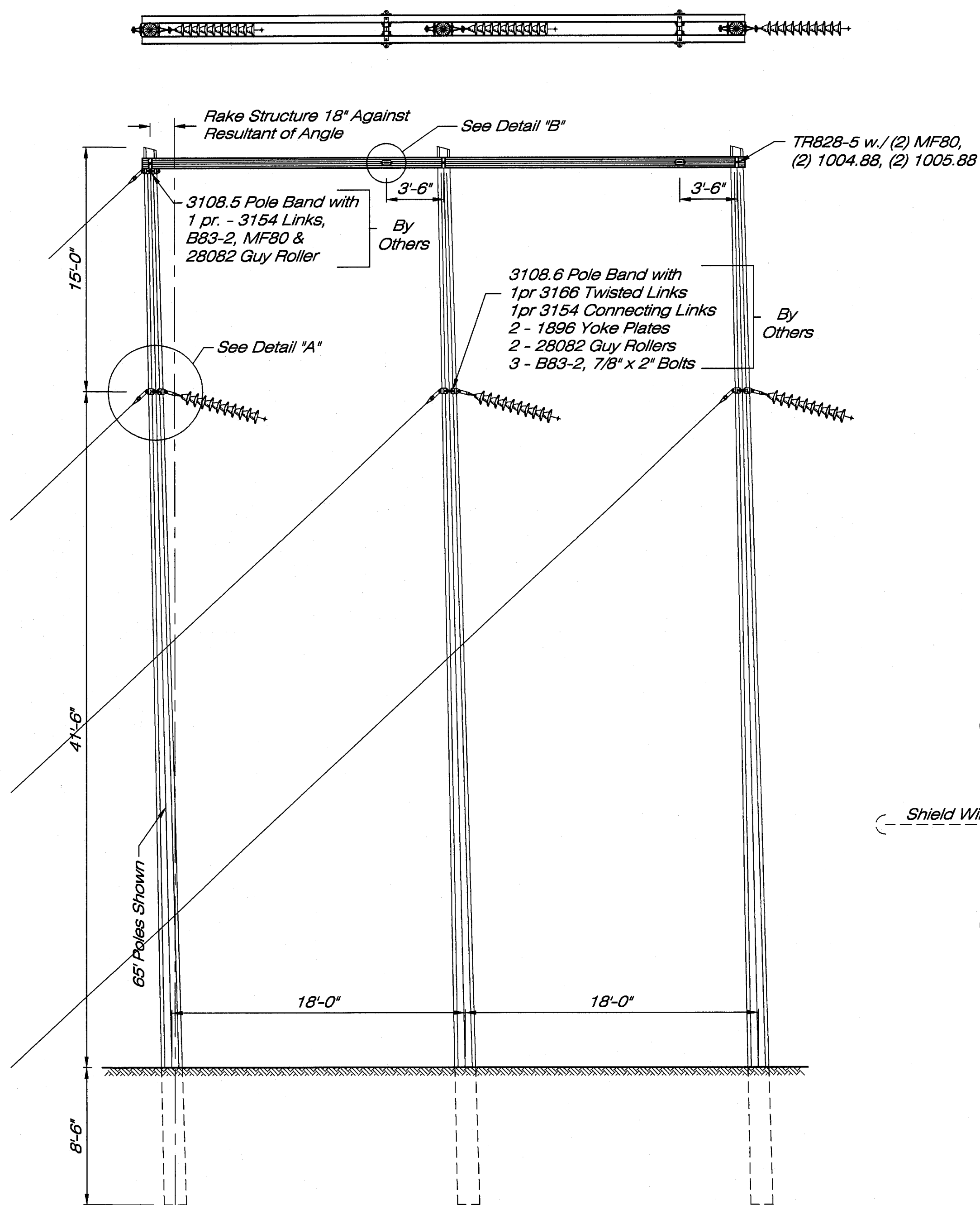
**C4869-D**  
**Small Angle Structure**  
**138 Kv. Construction**  
**American Transmission Corp.**  
**Pewaukee, Wisconsin**

CONFIDENTIAL This document includes information that is proprietary to Hughes Brothers, Inc., and shall not be disclosed or used except as expressly authorized.	Revision 12-9-03 2-17-04 3-12-04	HUGHES BROTHERS, INC. 210 N 13TH STREET - SEWARD, NE 68434	Drawn MC/DB	Date Printed
	Date © 8-7-2003 HBI		C4869-D	

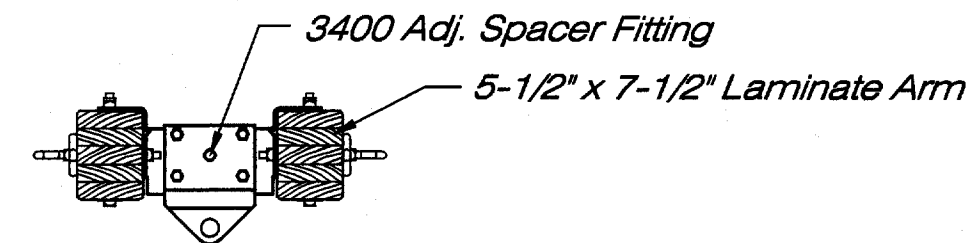
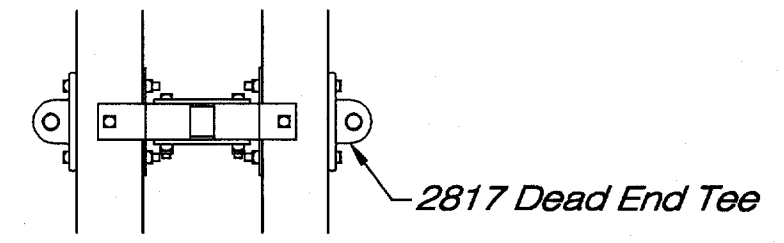


**C4869-E**  
**Medium Angle Structure**  
**138 Kv. Construction**  
**American Transmission Corp.**  
**Pewaukee, Wisconsin**

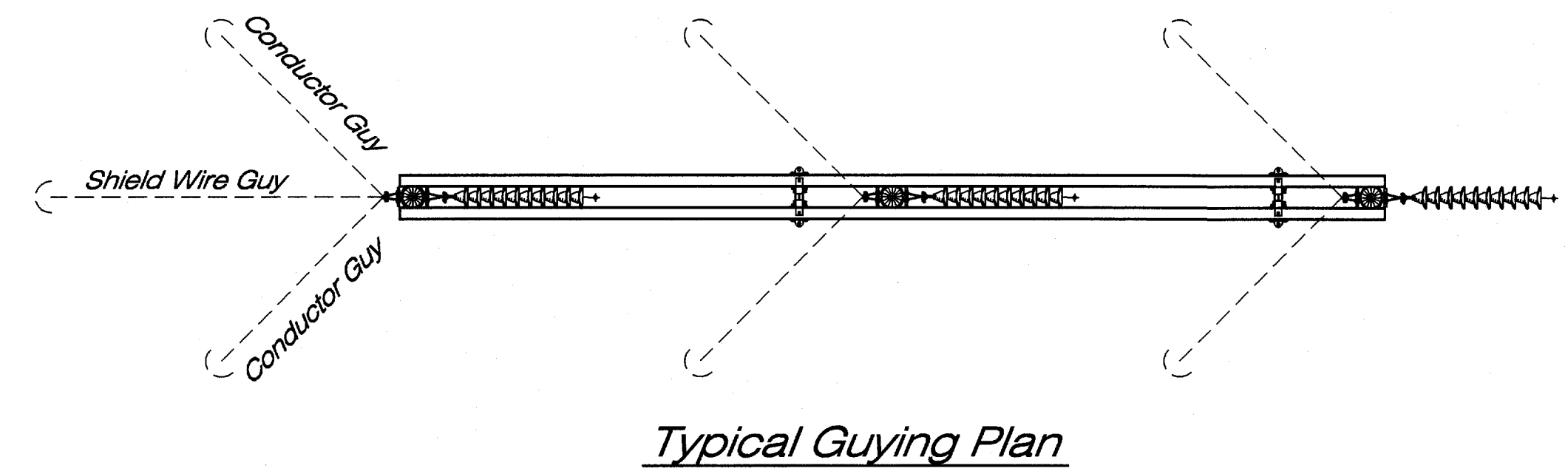
CONFIDENTIAL This document includes information that is proprietary to Hughes Brothers, Inc., and shall not be disclosed or used except as expressly authorized.	Revision	HUGHES BROTHERS, INC. 210 N 13TH STREET - SEWARD, NE 68434	Drawn	MC/DB <i>LV</i>	Date Printed
	12-9-03		Date		© 8-11-2003 HBI
	2-17-04				
	3-12-04				



Detail "A"  
(By Others)

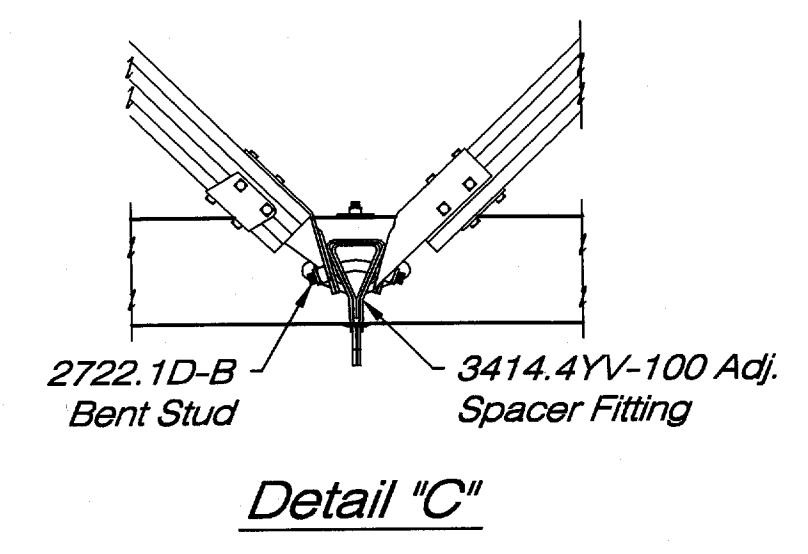
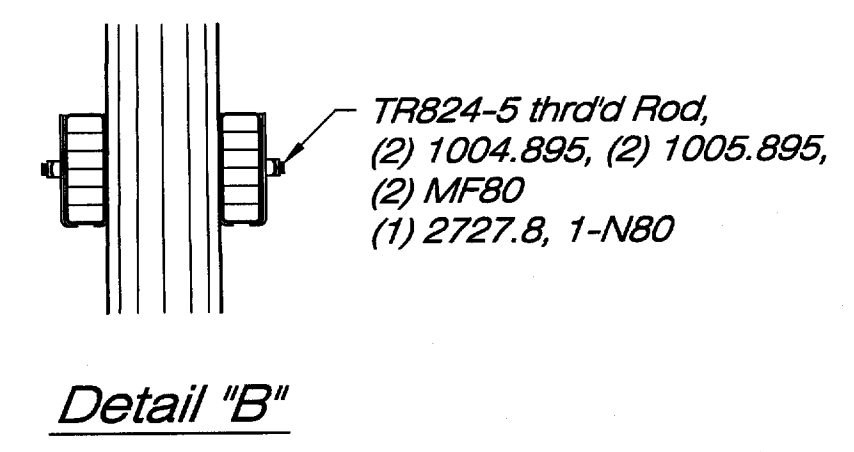
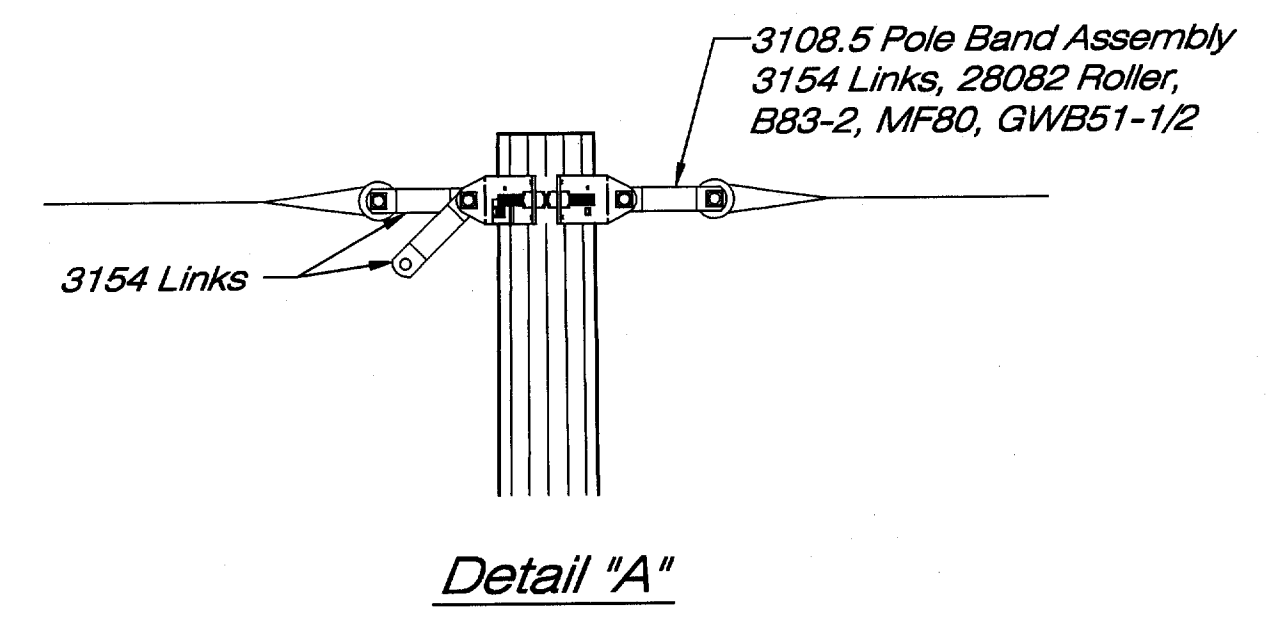
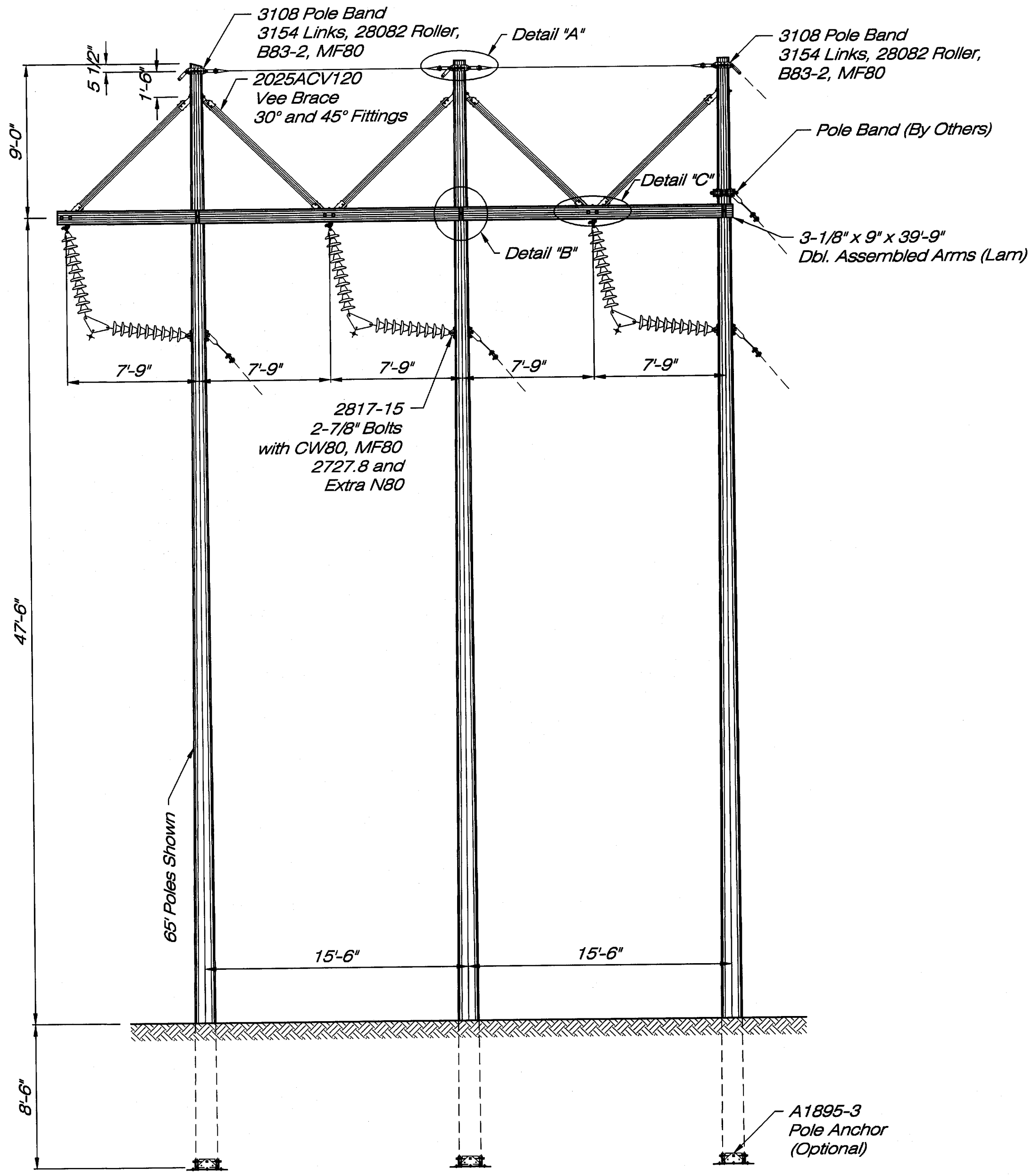


Detail "B"

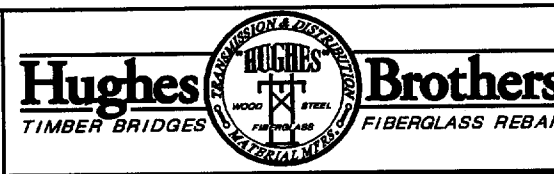


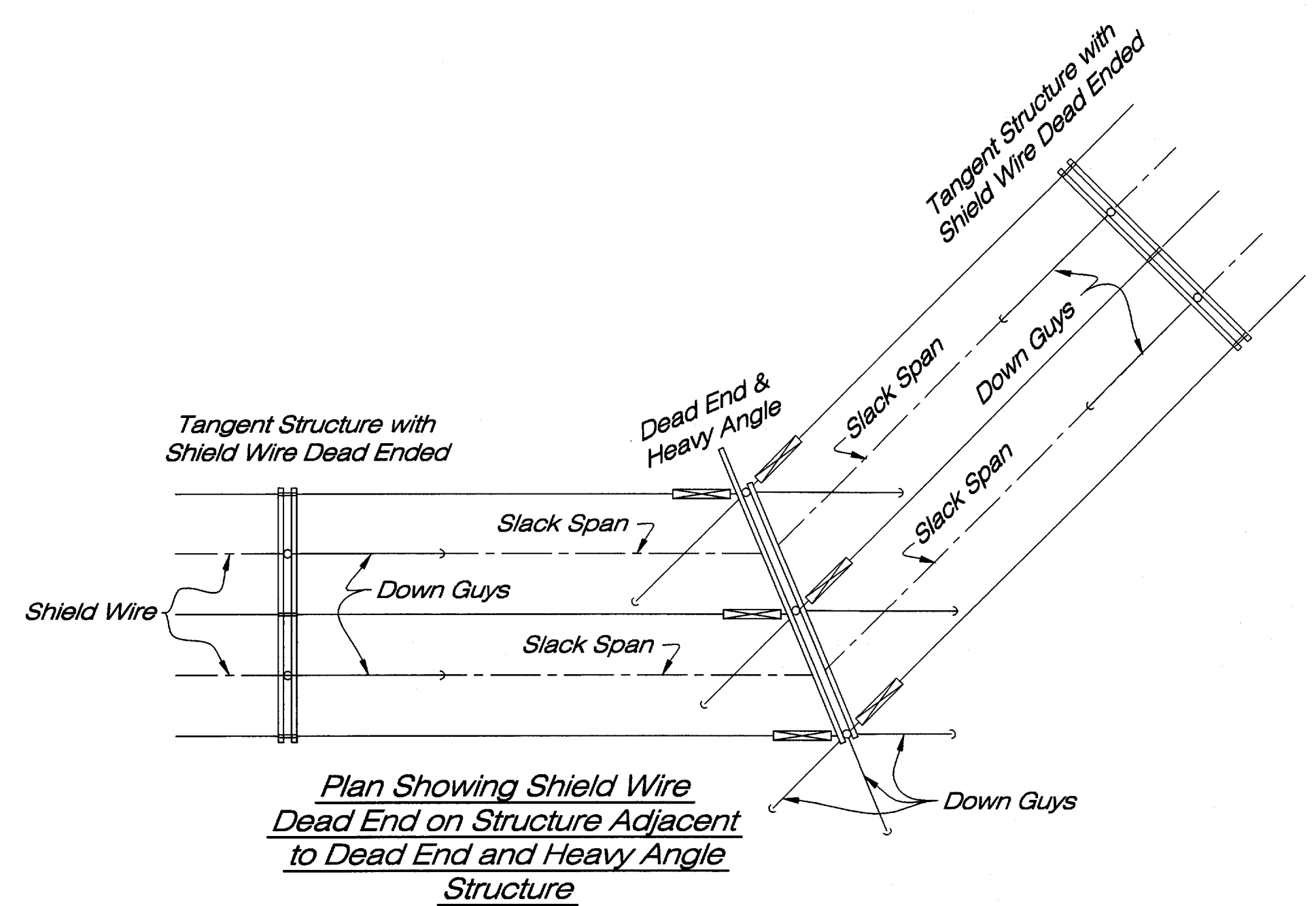
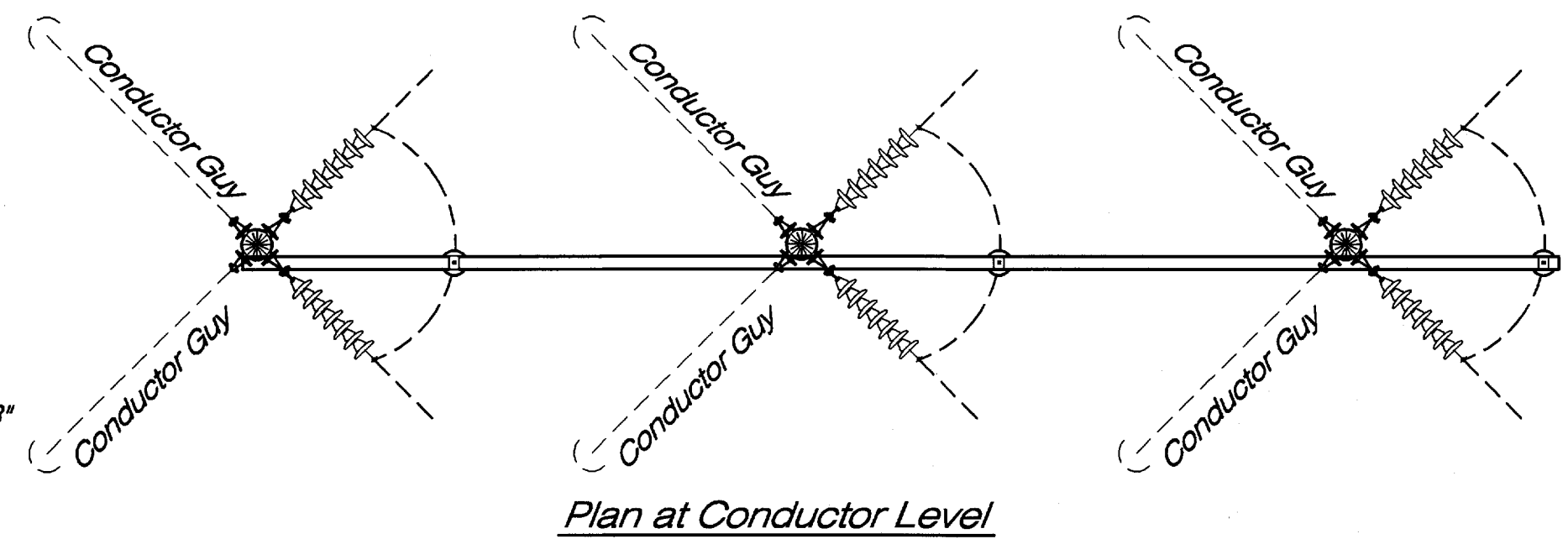
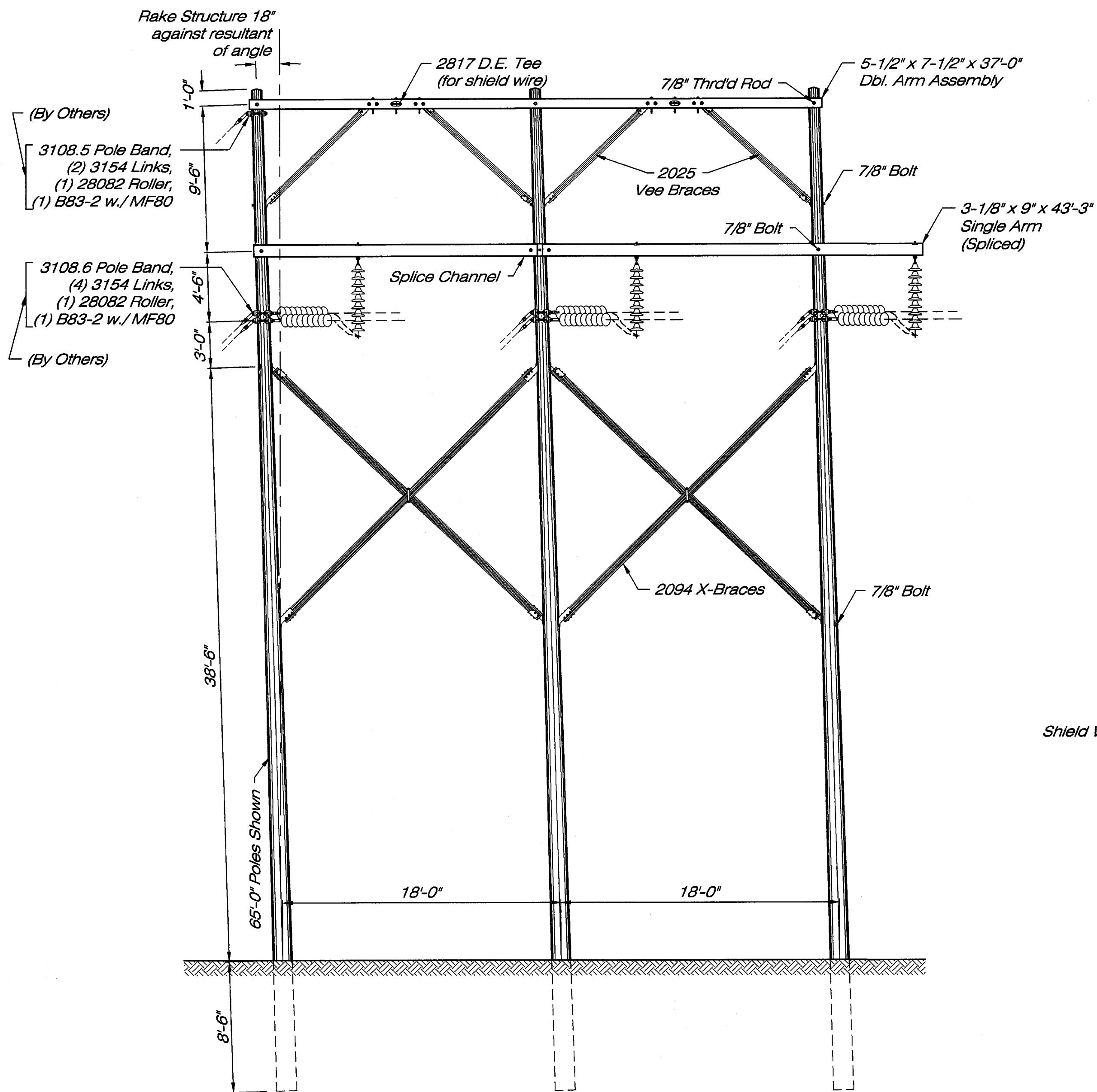
**C4869-F Large Angle Structure**  
 — 138 Kv Construction —  
 American Transmission Corp.  
 Pewaukee, Wisconsin

CONFIDENTIAL This document includes information that is proprietary to Hughes Brothers, Inc., and shall not be disclosed or used except as expressly authorized.	Revision 2-17-04	HUGHES BROTHERS, INC. 210 N 13TH STREET - SEWARD, NE 68434	Drawn SM/DB	Date Printed
			Date © 8-8-2003 HBI	C4869-F



**C4869-F1**  
**Medium Angle Structure**  
**138 Kv. Construction**  
**American Transmission Corp.**  
**Pewaukee, Wisconsin**

CONFIDENTIAL This document includes information that is proprietary to Hughes Brothers, Inc., and shall not be disclosed or used except as expressly authorized.	Revision		Drawn <i>RPLV</i>	Date Printed
			Date © 3-12-2004 HBI	<b>C4869-F1</b>



**C4869-G**  
**Dead End & Heavy Angle Structure**  
**138 Kv. Construction**  
**American Transmission Corp.**  
**Pewaukee, Wisconsin**

<p>CONFIDENTIAL</p> <p>This document includes information that is proprietary to Hughes Brothers, Inc., and shall not be disclosed or used except as expressly authorized.</p>	<p>Revision</p> <p>2-17-04</p> <p>3-12-04</p>	<p><b>HUGHES BROTHERS</b></p> <p>HUGHES BROTHERS, INC.</p> <p>210 N 13TH STREET - SEWARD, NE 68434</p>	<p>Drawn</p> <p>MC/DB</p>	<p>Date</p> <p>Printed</p>
			<p>Date</p> <p>© 8-14-2003 HBI</p>	<p>C4869-G</p>