

BILL OF MATERIAL

ITEM	QUAN.	Part No.	DESCRIPTION
1	1	2812.6-12-BCL	Shield Wire Support
2	1	C4485-B4.0-MS	4'-0" Steel Davit Arm
3	2	C4485-B5.0-MS	5'-0" Steel Davit Arm
4	2	TR1020-F	1"x20" Thrd Rod w/ 4-N100
5	4	TR1022-F	1"x22" Thrd Rod w/ 4-N100
6	12	MF100	1" Locknut
7	6	C4485.9D	Bearing Plate
8	3	BC51-1/2	1/2" Carriage Bolt
9	3	2718.5	Bonding Clip
10	12	SLW-100	1" Spring Lockwasher

Type C4775-A/BTUC-1S
Brazos Electric Power Coop.
69 kV. Construction
Sherman Utility Structures Inc.
Bellville, Texas

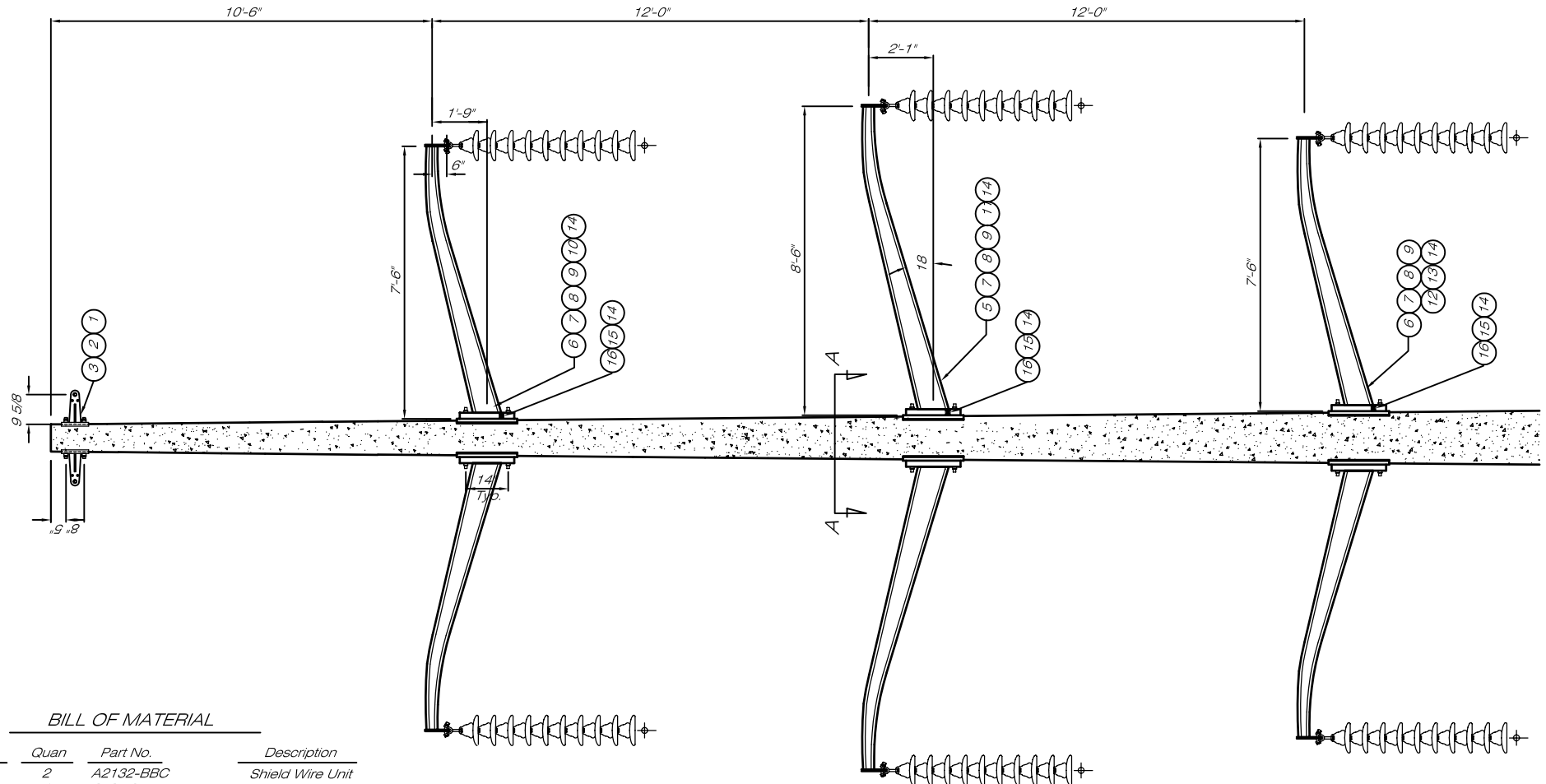
CONFIDENTIAL
 This document includes information that is proprietary to Hughes Brothers, Inc., and shall not be disclosed or used except as expressly authorized.

Revision

HUGHES BROTHERS
 HUGHES BROTHERS, INC.
 210 N 13TH STREET - SEBARD, NE 68434

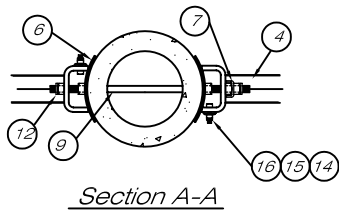
Drawn *S. Millin*
 Date © 8-30-93

Date Printed
 C4775-A



BILL OF MATERIAL

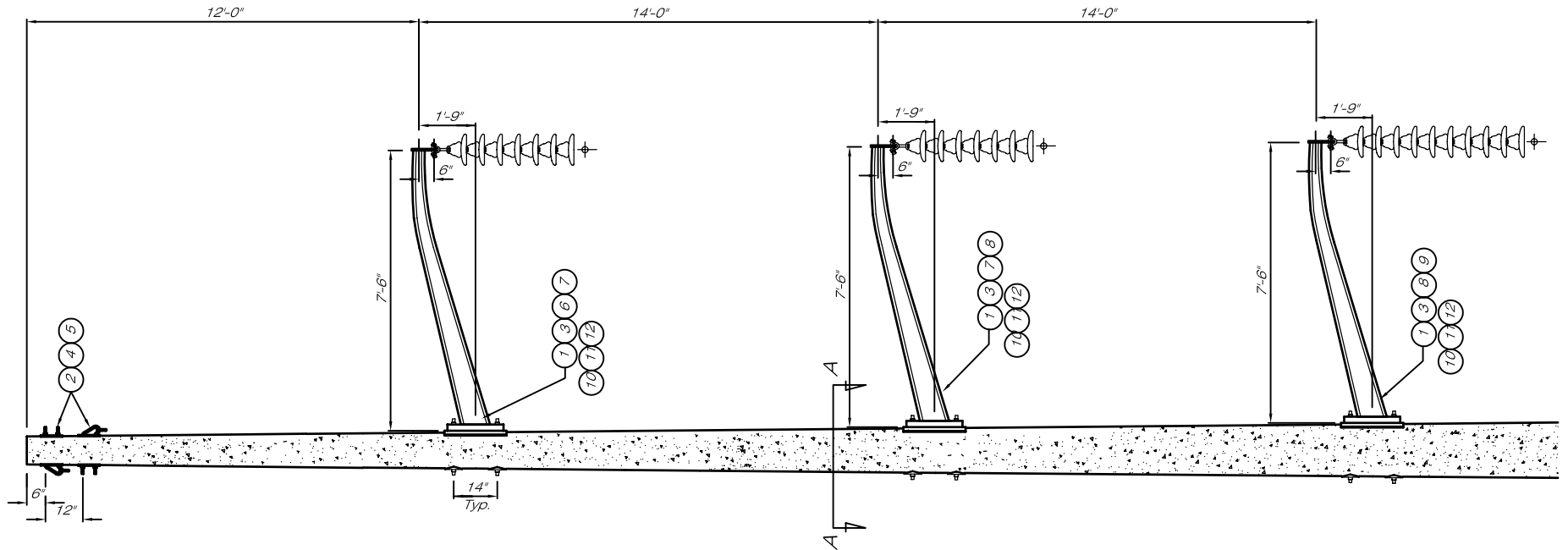
Item	Quan	Part No.	Description
1	2	A2132-BBC	Shield Wire Unit
2	1	2727.8	7/8" Bonding Clips
3	2	B818-6NN	7/8"x18" Bolt
4	2	C4775-T8.5	Steel Davit Arm (8'-6")
5	4	C4775-T7.5	Steel Davit Arm (7'-6")
6	6	C4488.1F	Bearing Plates 3/8"
7	3	2727.10	1" Bonding Clips
8	2	A193B7-1028-6	1"x28" Thrd Rod Per ASTM A193B7
9	2	A193B7-1030-6	1"x30" Thrd Rod Per ASTM A193B7
10	1	A193B7-1032-6	1"x32" Thrd Rod Per ASTM A193B7
11	1	A193B7-1034-6	1"x34" Thrd Rod Per ASTM A193B7
12	27	1" ANCO, GR. 2H	1" ANCO NUT, Grade 2H
13	3	7/8" ANCO Locknut	7/8" Locknut
14	6	2718.6	5/8" Bonding Clip
15	6	B62-1-1/2	5/8"x2" Bolt
16	6	MF60	5/8" Locknut



Section A-A

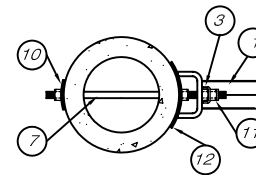
Type C4775-B/TUSC-1DCE (13.23" Top)
Brazos Electric Power Coop.
138 kV. Construction
Sherman Utility Structures Inc.
Bellville, Texas

<p>CONFIDENTIAL This document includes information that is proprietary to Hughes Brothers, Inc., and shall not be disclosed or used except as expressly authorized.</p>	<p>Revision 5-6-94 5-13-94 6-7-94 9-1-94 4-14-98 6-4-98</p>	<p>HUGHES BROTHERS HUGHES BROTHERS, INC. 210 N 13TH STREET - SEWARD, NE 68434</p>	<p>Drawn <i>SM / CJ</i> Date © 3-4-94 HBI</p>	<p>Date Printed <i>C4775-B</i></p>
---	---	--	--	---



BILL OF MATERIAL

ITEM	QUAN.	Part No.	DESCRIPTION
1	3	C4775-T7.5	7'-6" Steel Davit Arm
2	2	2859.1-14	Shield Wire Support
3	3	2727.10	1" Bonding Clip
4	2	2727.6	5/8" Bonding Clip
5	2	N60	5/8" Nut
6	1	A193B7-1022-6	1"x22" Thr'd Rod per ASTM A193
7	2	A193B7-1024-6	1"x24" Thr'd Rod per ASTM A193
8	2	A193B7-1026-6	1"x26" Thr'd Rod per ASTM A193
9	1	A193B7-1028-6	1"x28" Thr'd Rod per ASTM A193
10	6	CW100	Curved Washer
11	21	1" ANCO, GR. 2H	1" ANCO NUT, Grade 2H
12	3	C4468.1D	Bearing Plate



Section A-A

Type C4775-F/BTUC-1AAM
Brazos Electric Power Coop.
138 kV. Construction
Sherman Utility Structures Inc.
Bellville, Texas

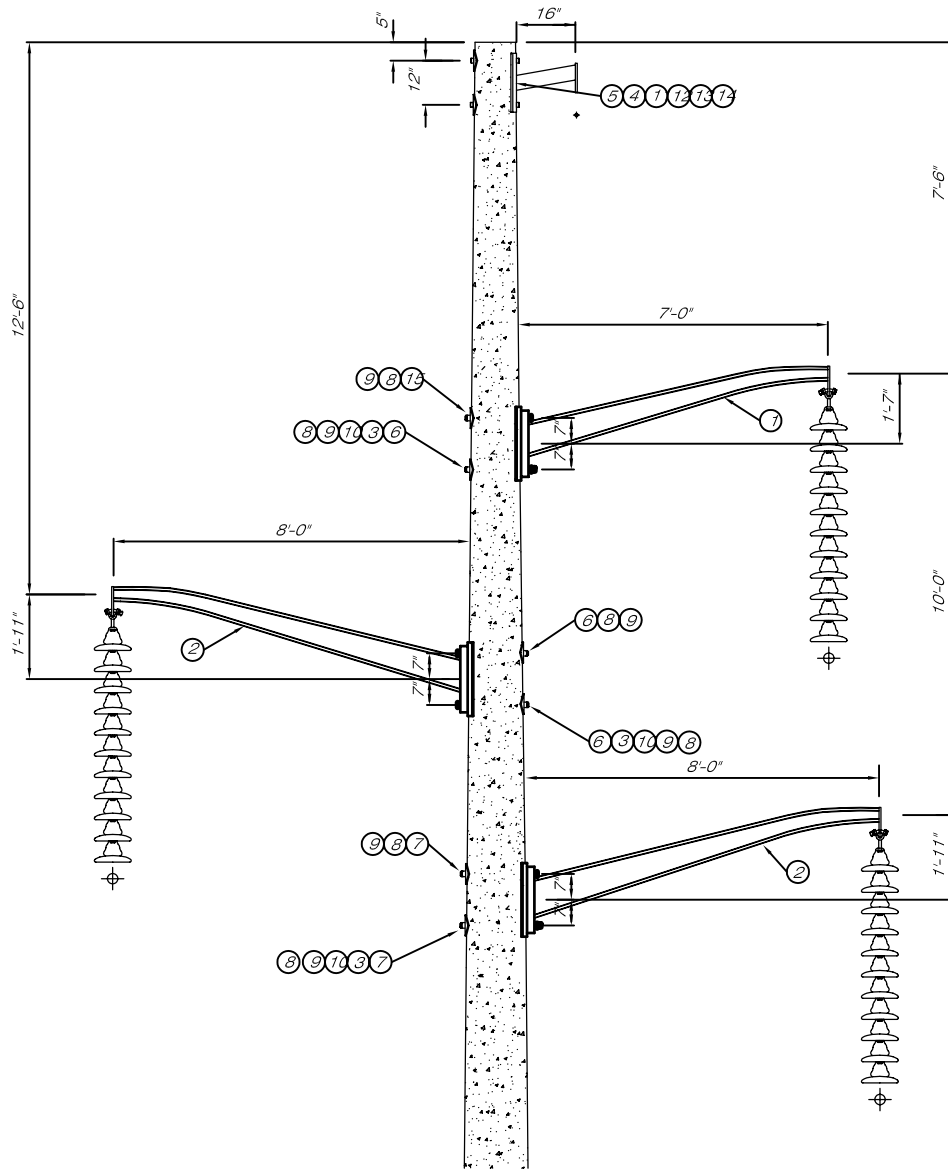
CONFIDENTIAL
 This document includes information that is proprietary to Hughes Brothers, Inc., and shall not be disclosed or used except as expressly authorized.

Revision
 9-16-94
 6-4-98

HUGHES BROTHERS
 HUGHES BROTHERS, INC.
 210 N 13TH STREET - SEBARD, NE 68434

Drawn *SM/CJ*
 Date © 5-25-94 HBI

Date Printed
C4775-F



BILL OF MATERIAL

Item	Quan.	Description
1	1	4020A7, 0C65G 7'-0" Steel Davit
2	2	4020A8, 0C65G 8'-0" Steel Davit
3	3	2727.10 Bonding Clip
4	1	2727.8 Bonding Clip
5	1	C4484-C16 Shield Wire Support
6	3	B1018-6, 1"x18" Bolt
7	2	B1020-6, 1"x20" Bolt
8	6	CW100, Curved Washer
9	6	MF100, 1" Locknuts
10	3	N100, 1" Nut
11	1	N80, 7/8" Nut
12	2	B814-6, 7/8"x14" Bolt
13	2	MF80, 7/8" Locknut
14	2	CW80, Curved Washer
15	1	B1016-6, 1"x16" Bolt

Type C4784-A / TU-1
Bowie-Cass Electric Coop. of Texas
Steel Davit Suspension Structure
138 kV. Construction
Sherman Utility Structures Inc.
Bellville, Texas

CONFIDENTIAL
 This document includes information that is proprietary to Hughes Brothers, Inc., and shall not be disclosed or used except as expressly authorized.

Revision

HUGHES BROTHERS
 HUGHES BROTHERS, INC.
 210 N 13TH STREET - SEBARD, NE 68434

Drawn
 Date © 12-15-93 HBI

Date Printed
 C4784-A