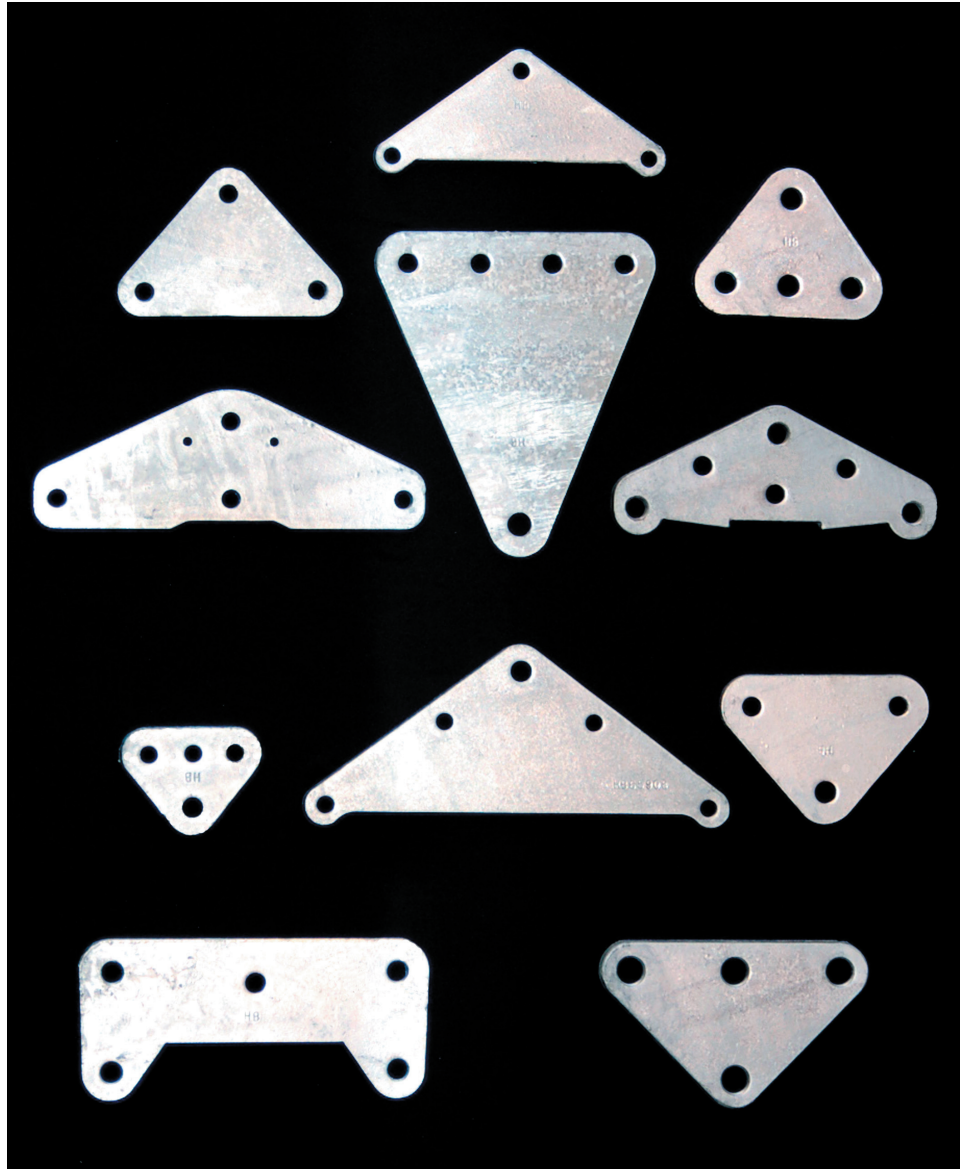
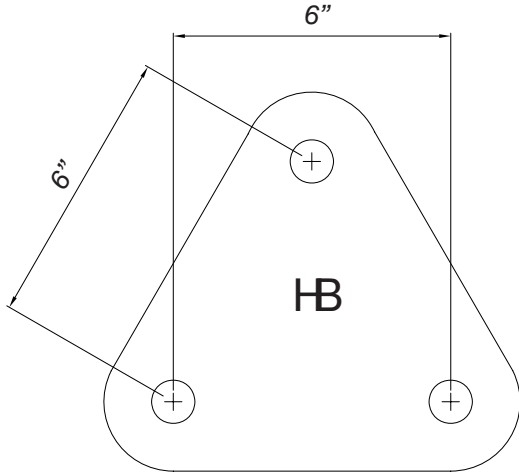


Yoke Plates

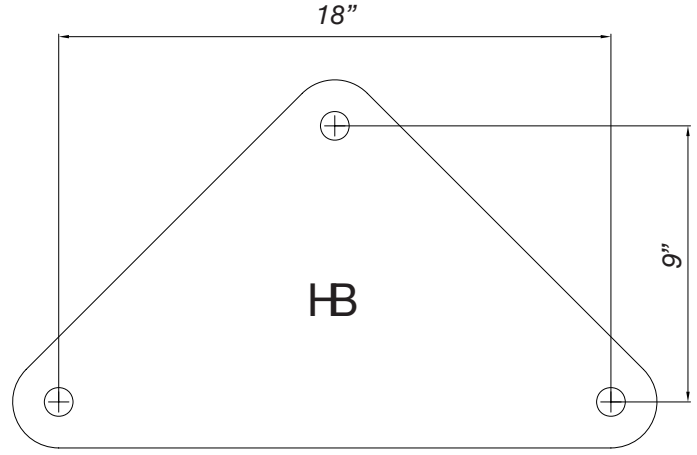


Manufactured from steel plate and galvanized in accordance to ASTM A123. Many others available; see catalog pages C-55 through C-61. Hughes Brothers, Inc. can also make yoke plates to *your specific needs*. Contact your Hughes Brothers, Inc. representative or the Hughes Brothers Engineering Department for more information. **MADE IN THE USA**

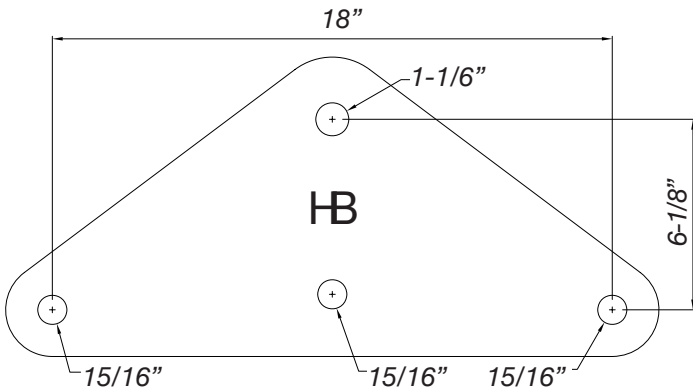




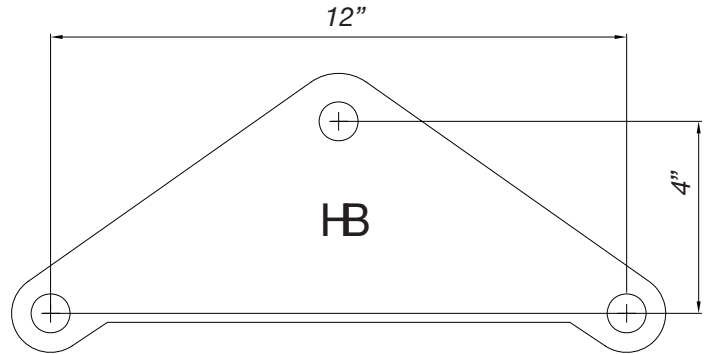
All Holes 15/16"
 3/8" Steel Plate
 Strength Rating: 19,000# (APEX)
1896 Yoke Plate
 Reference: R.E.A. TG-22 Type 2 Link



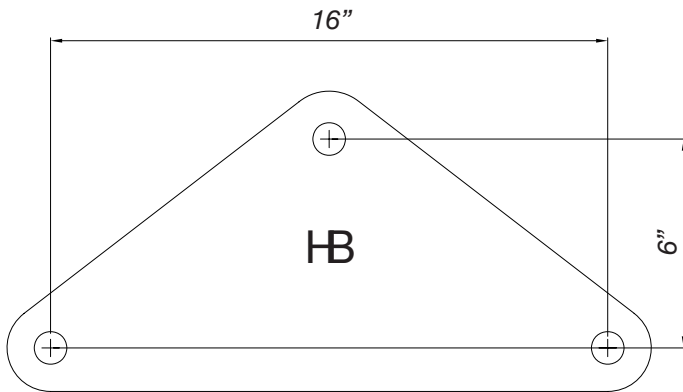
All Holes 15/16"
 5/8" Steel Plate
 Strength Rating: 30,000# (APEX)
AS2355-D1 Yoke Plate



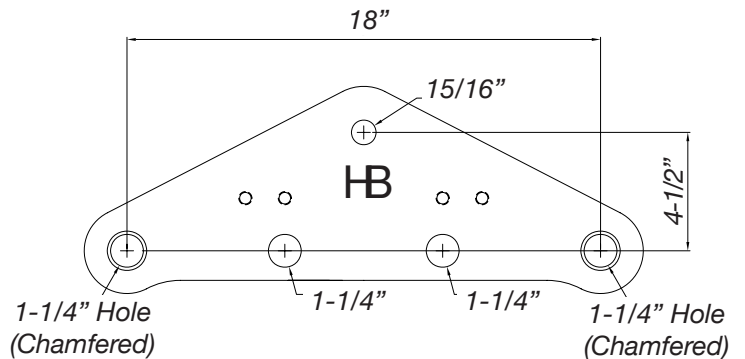
3/4" Steel Plate
 Strength Rating: 80,000# (APEX)
AS2355-D2 Yoke Plate



All Holes 13/16"
 1/2" Steel Plate
 Strength Rating: 30,000# (APEX)
AS2585-A Yoke Plate



15/16" Holes
 3/4" Steel Plate
 Strength Rating: 60,000# (APEX)
AS2585-A1 Yoke Plate

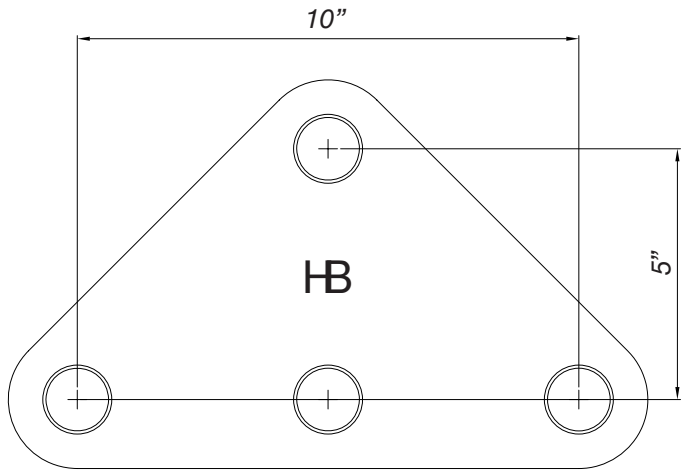


1-1/4" Hole (Chamfered)
 3/4" Steel Plate
 Strength Rating: 60,000# (APEX)
AS2585-B2 Yoke Plate

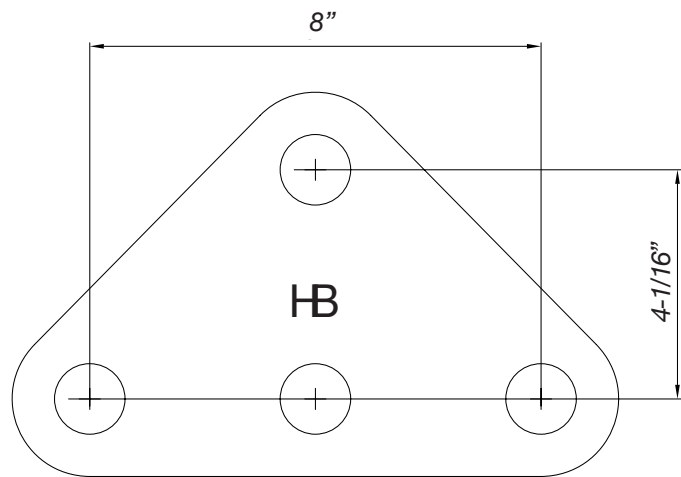


Hughes Brothers, Inc.
 210 N. 13th Street
 Seward, NE 68434
 Email: sales@hughesbros.com

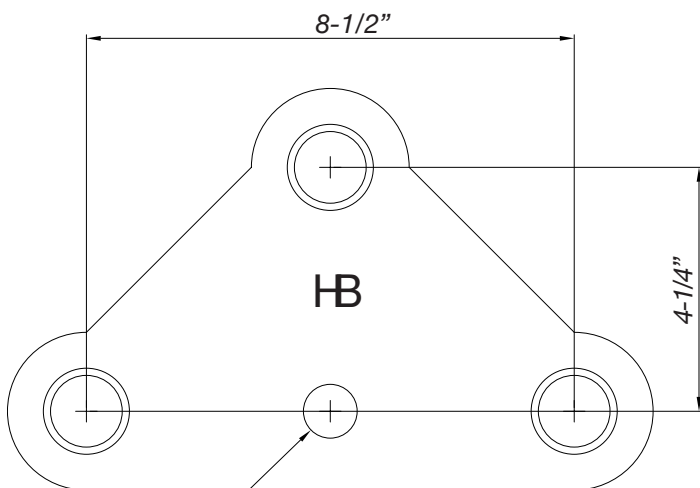
Phone: 402-643-2991
 Fax: 402-643-2149
www.hughesbros.com



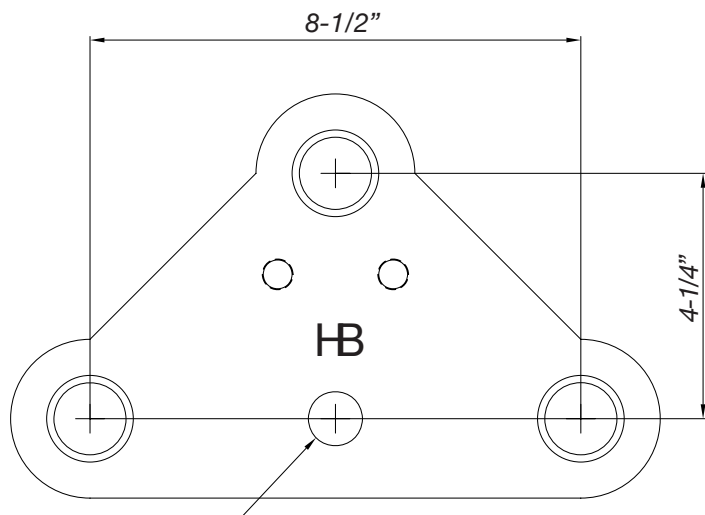
All Holes 1-1/4" Chamfered (Both Sides)
 5/8" Steel Plate
 Strength Rating: 30,000#
AS2585-G Yoke Plate



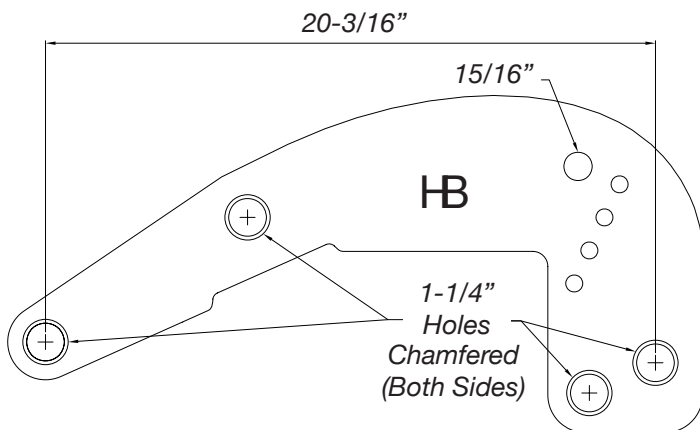
All Holes 1-1/4"
 5/8" Steel Plate
 Strength Rating: 50,000# (APEX)
AS2585-G3 Yoke Plate



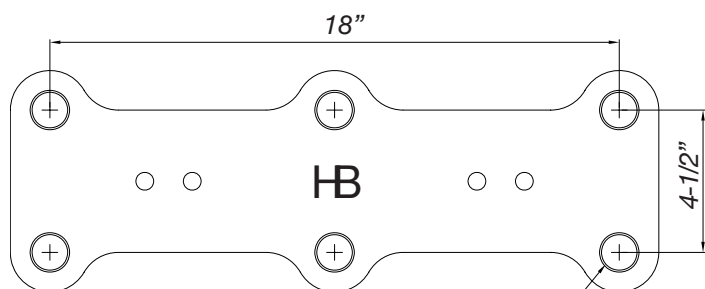
15/16" 1-1/4" Holes Chamfered (Both Sides)
 5/8" Steel Plate
 Strength Rating: 25,000#
AS2585-J Yoke Plate



15/16" 1-1/4" Holes Chamfered (Both Sides)
 5/8" Steel Plate
 Strength Rating: 30,000#
AS2585-J1 Yoke Plate



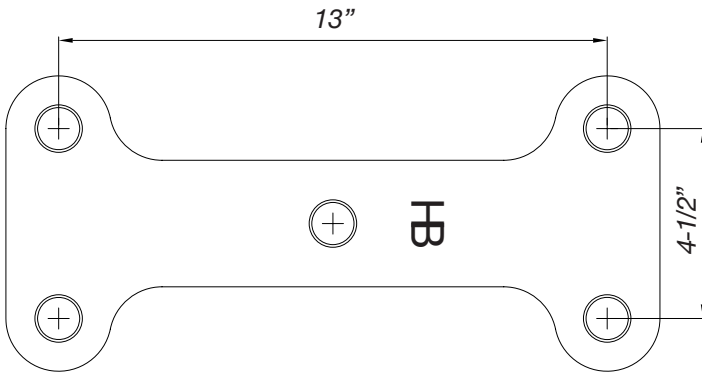
1-1/4" Holes Chamfered (Both Sides)
 5/8" Steel Plate
AS2585-J8 Yoke Plate



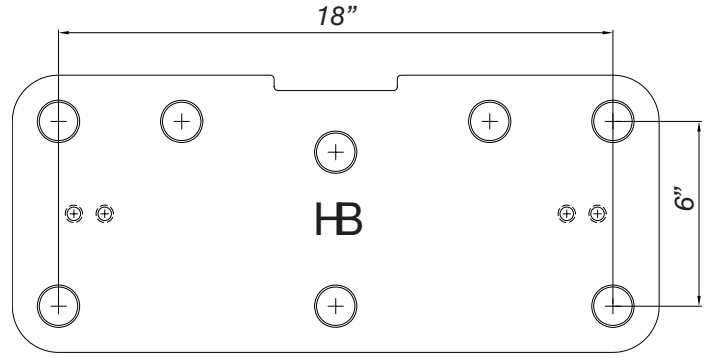
1-1/8" Holes Chamfered (Both Sides)
 3/4" Steel Plate
 Strength Rating: 30,000#
AS2585-T2 Yoke Plate



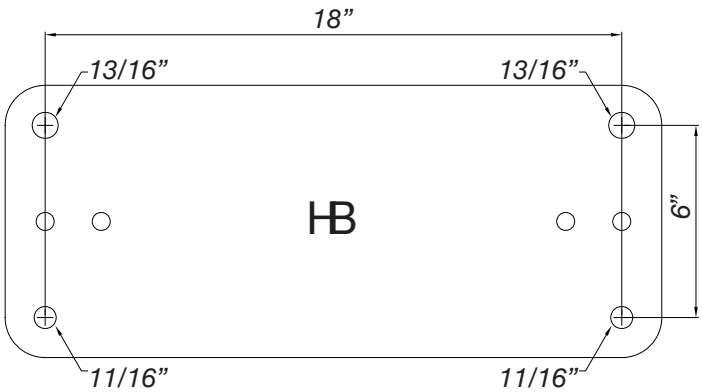
Yoke Plates



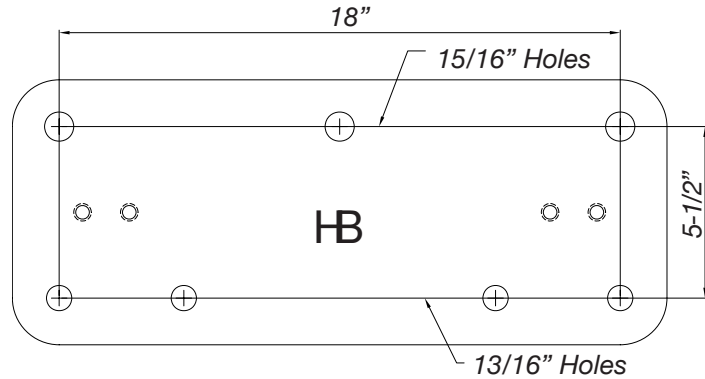
1" Holes Chamfered (Both Sides)
 3/4" Steel Plate
 Strength Rating: 30,000#
AS2585-T3 Yoke Plate



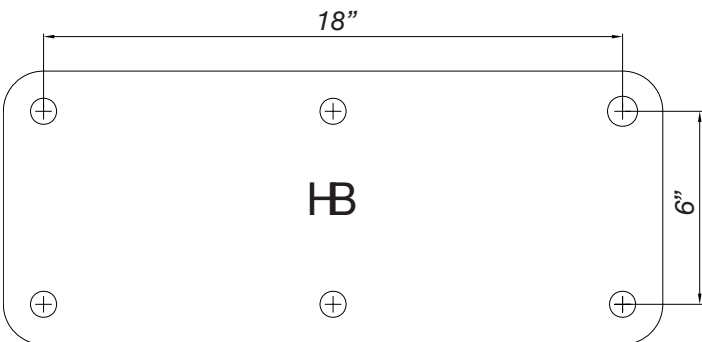
1-1/4" Holes Chamfered (Both Sides)
 3/4" Steel Plate
 Strength Rating: 30,000#
AS2585-T4 Yoke Plate



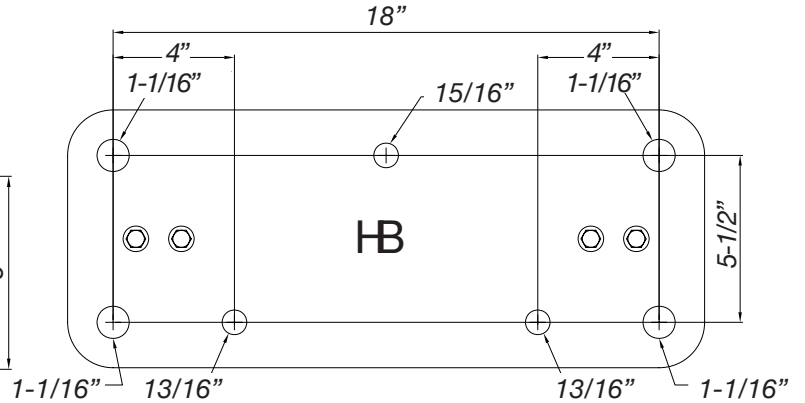
3/4" Steel Plate
 Strength Rating: 30,000#
AS2585-V1 Yoke Plate



3/4" Steel Plate
 Strength Rating: 50,000#
AS2585-V2 Yoke Plate



15/16" Holes
 3/4" Steel Plate
 Strength Rating: 60,000#
AS2585-V3 Yoke Plate

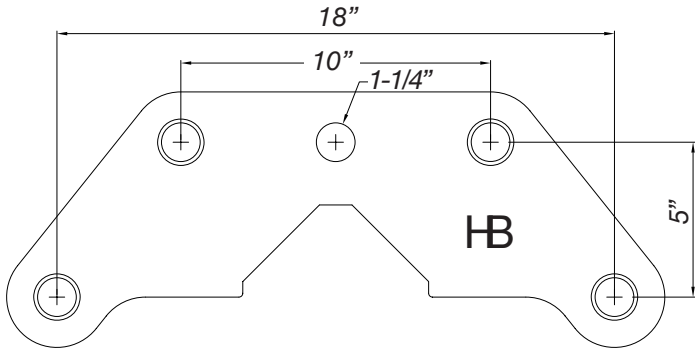


(Includes Four 1/2" Bolts w/ Spring Lock Washers)
 3/4" Steel Plate
 Strength Rating: 40,000#
AS2585-V9 Yoke Plate

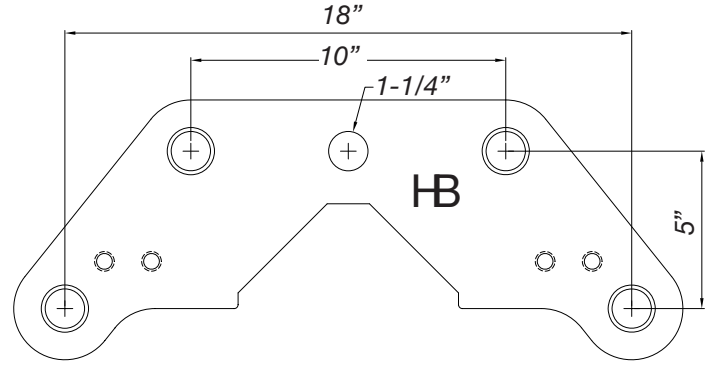


Hughes Brothers, Inc.
 210 N. 13th Street
 Seward, NE 68434
 Email: sales@hughesbros.com

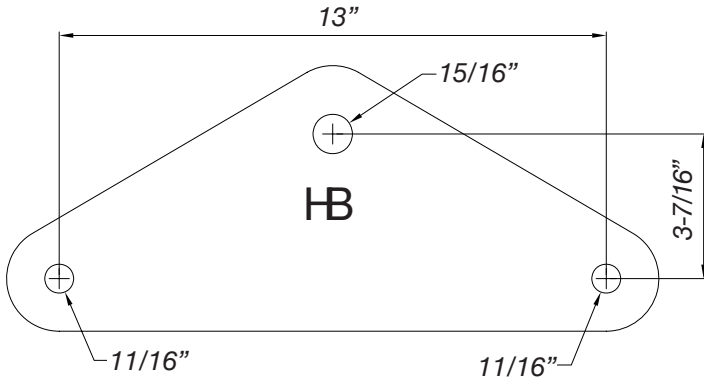
Phone: 402-643-2991
 Fax: 402-643-2149
www.hughesbros.com



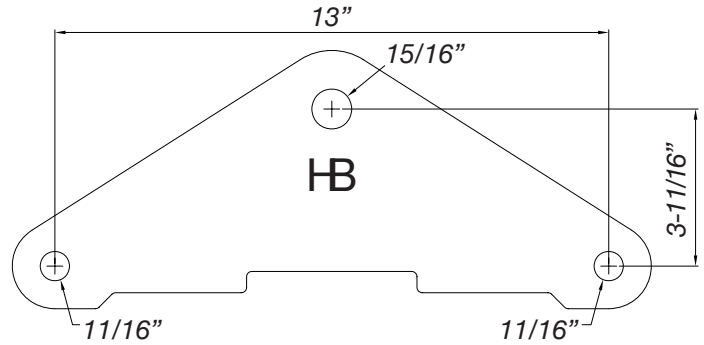
1-1/4" Holes Chamfered (both sides) typ.
 3/4" Steel Plate
 Strength Rating: 40,000#
AS2585-V11 Yoke Plate



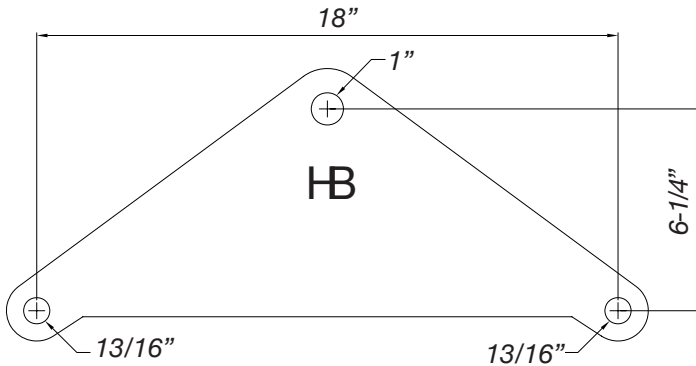
1-1/4" Holes Chamfered (Both Sides) Typ.
 3/4" Steel Plate
 Strength Rating: 30,000#
AS2585-V13 Yoke Plate



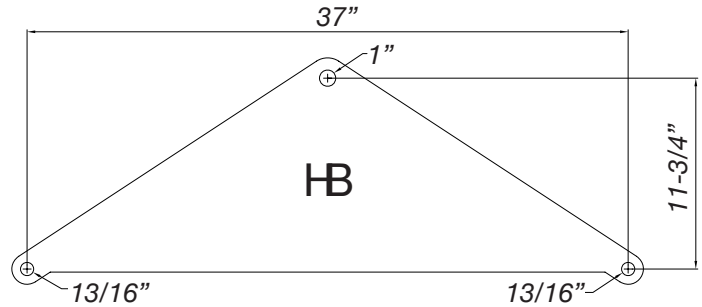
3/4" Steel Plate
 Strength Rating: 60,000# (APEX)
AS2585-W1 Yoke Plate



3/4" Steel Plate
 Strength Rating: 40,000# (APEX)
AS2585-W3 Yoke Plate

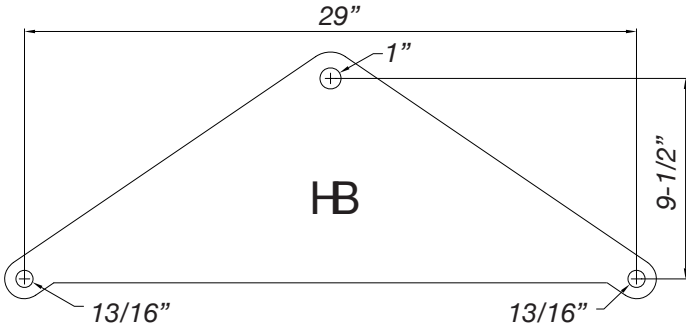


5/8" Steel Plate
 Strength Rating: 40,000# (APEX)
AS2585-Z Yoke Plate

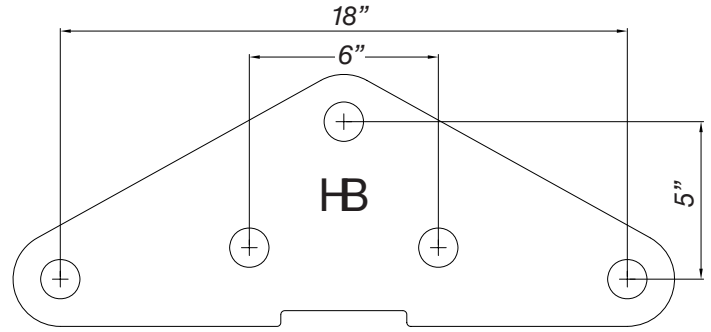


3/4" Steel Plate
 Strength Rating: 50,000# APEX
AS2585-Z1 Yoke Plate

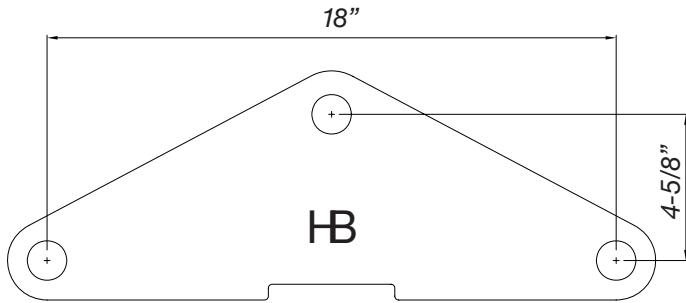




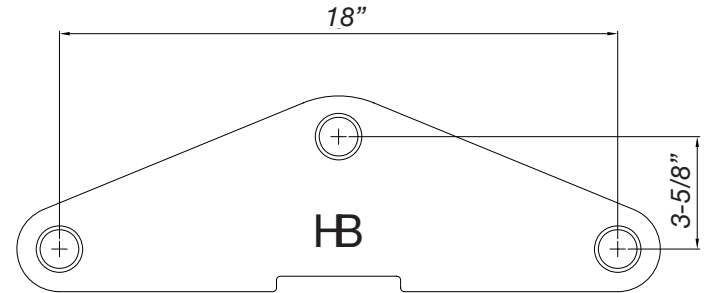
3/4" Steel Plate
Strength Rating: 50,000# (APEX)
AS2585-Z2 Yoke Plate



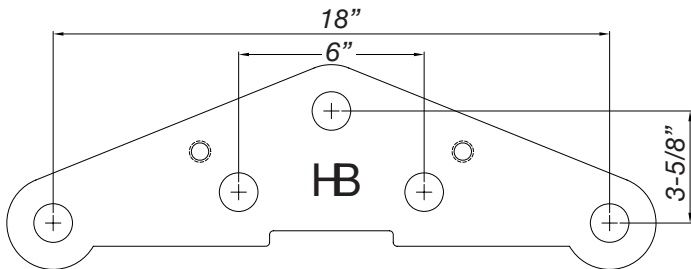
1-1/4" Holes Chamfered (Both Sides) Typ.
3/4" Steel Plate
Strength Rating: 50,000# (APEX)
AS2585-Z6 Yoke Plate



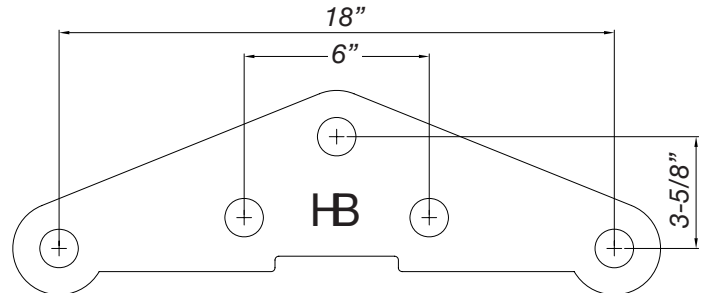
1-1/4" Holes
3/4" Steel Plate
Strength Rating: 40,000# (APEX)
AS2585-Z7 Yoke Plate



1-1/4" Holes Chamfered (Both Sides) Typ.
5/8" Steel Plate
Strength Rating: 25,000# (APEX)
AS2585-Z8 Yoke Plate



1-1/4" Holes
3/4" Steel Plate
Strength Rating: 40,000# (APEX)
AS2585-ZZ Yoke Plate

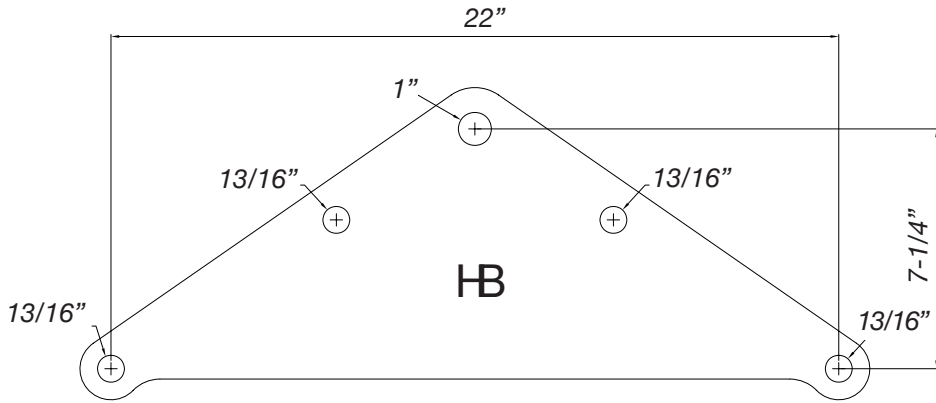


1-1/4" Holes
3/4" Steel Plate
Strength Rating: 30,000# (APEX)
AS2585-ZZ1 Yoke Plate

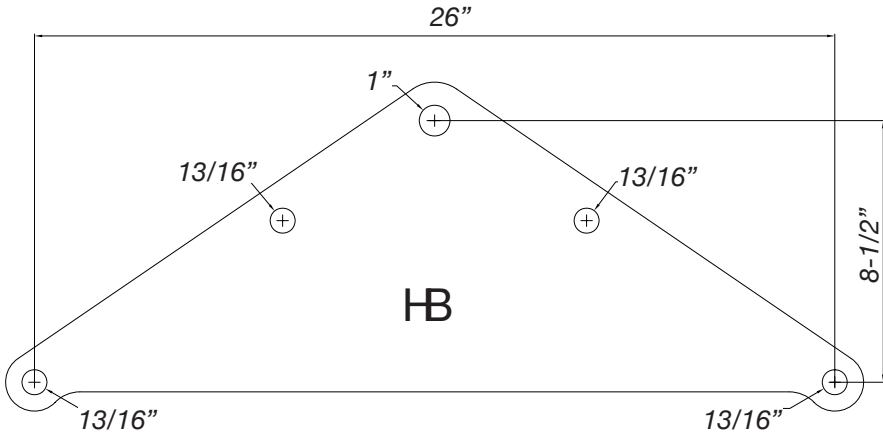


Hughes Brothers, Inc.
210 N. 13th Street
Seward, NE 68434
Email: sales@hughesbros.com

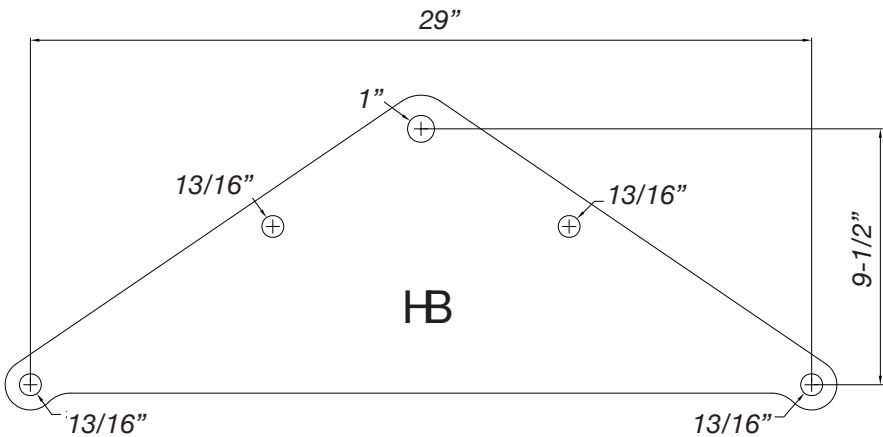
Phone: 402-643-2991
Fax: 402-643-2149
www.hughesbros.com



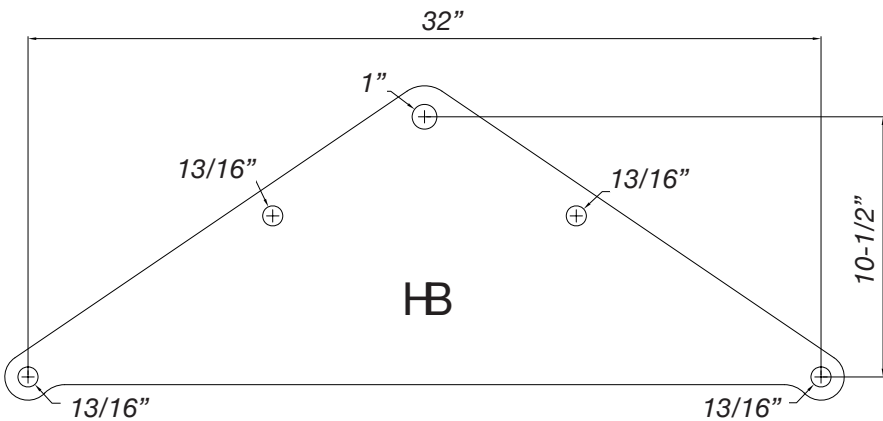
Weight 21#
5/8" Steel Plate
Strength Rating: 40,000# (APEX)
B2726-A1 Yoke Plate



Weight 33#
3/4" Steel Plate
Strength Rating: 50,000# (APEX)
B2726-A2 Yoke Plate

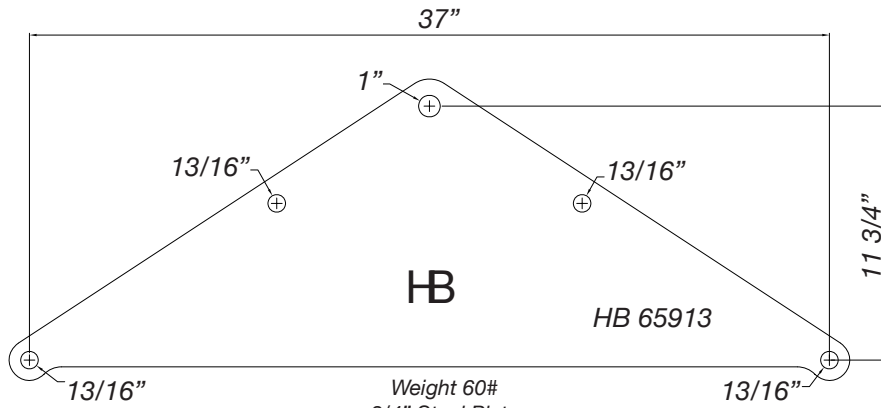


Weight 40#
3/4" Steel Plate
Strength Rating: 50,000# (APEX)
B2726-A3 Yoke Plate

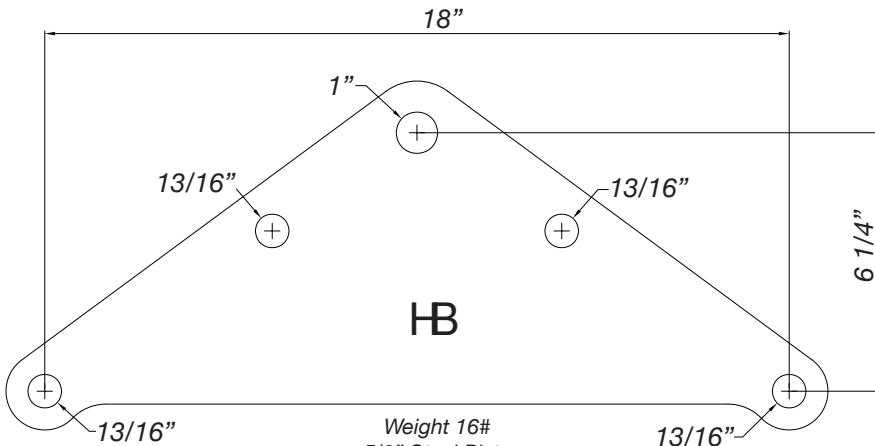


Weight 48#
3/4" Steel Plate
Strength Rating: 50,000# (APEX)
B2726-A4 Yoke Plate

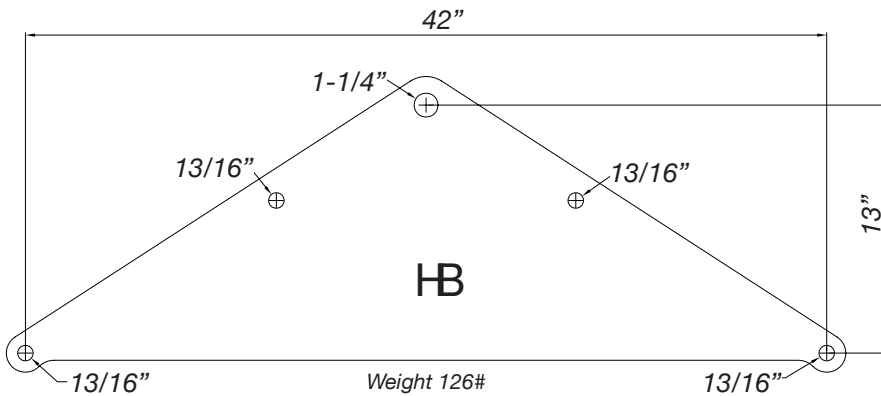




Weight 60#
3/4" Steel Plate
Strength Rating: 50,000# (APEX)
B2726-A5 Yoke Plate



Weight 16#
5/8" Steel Plate
Strength Rating: 40,000# (APEX)
B2726-A6 Yoke Plate



Weight 126#
1-1/4" Steel Plate
Strength Rating: 72,000# (APEX)
B2726-A7 Yoke Plate

Yoke Plate Cross Reference*

Anderson	Hughes Bros.
79603-4001	AS2585-W1
92933-3002	AS2585-V9
93006-4004	AS2585-V11
94760-4001	AS2355-D2
95021-3002	AS2585-V2
97063-4001	AS2585-J8
97611-3002	AS2585-V1
DM9595-1	AS2585-J1
PP-23394	AS2585-Z8
YPD-30-18437-3	AS2585-ZZ1
YPD-40-10478	AS2585-Z7
YPD-40-18342-4	AS2585-ZZ
YPD-40-24465	AS2585-W3
YPD-50-18549-1	AS2585-Z6
YPD-50-24685	AS2585-G3
YPD-60-10795	AS2585-B2
YPR-30-17351-2	AS2585-T2
YPR-30-18722-1	AS2585-T4
YPR-30-24508	AS2585-T3
YPV-30-17259-1	AS2585-V13
Continental	
YPR-60-13-6	AS2585-V3
YPT-60-16-6	AS2585-A1
YPV-30-18-9	AS2355-D1
Ohio Brass	
99337	AS2585-J
99926	AS2585-G
Preformed	
65908	B2726-A6
65909	B2726-A1
65910	B2726-A2
65911	B2726-A3
65912	B2726-A4
65913	B2726-A5
65934	B2726-A7
YP-5907	AS2585-A
YP-5908	AS2585-Z
YP-5911	AS2585-Z2
YP-5913	AS2585-Z1

*Ratings listed are for suggested Hughes Brothers equivalents. Ratings provided by other manufactures may differ.



Hughes Brothers, Inc.
210 North 13th Street
Seward, Nebraska 68434
Phone 402.643.2991 / Fax 402.643.2149
www.hughesbros.com