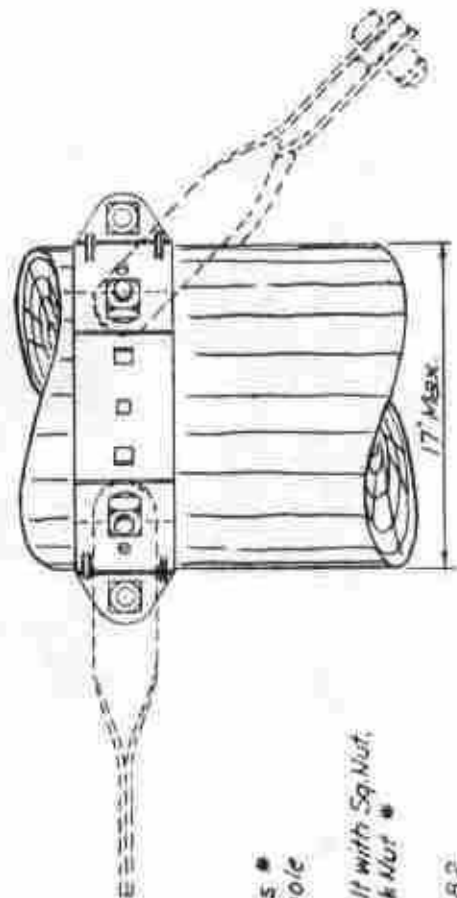
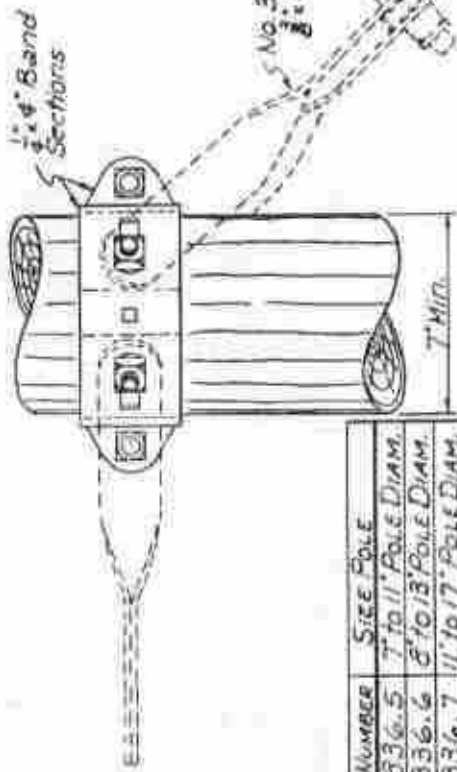
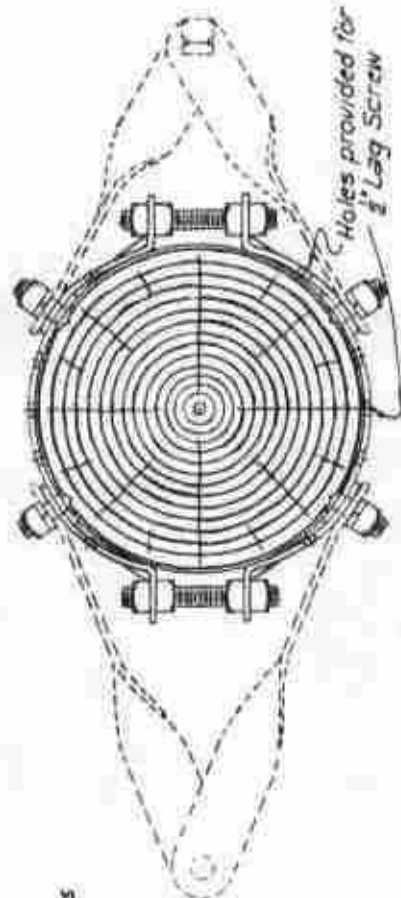
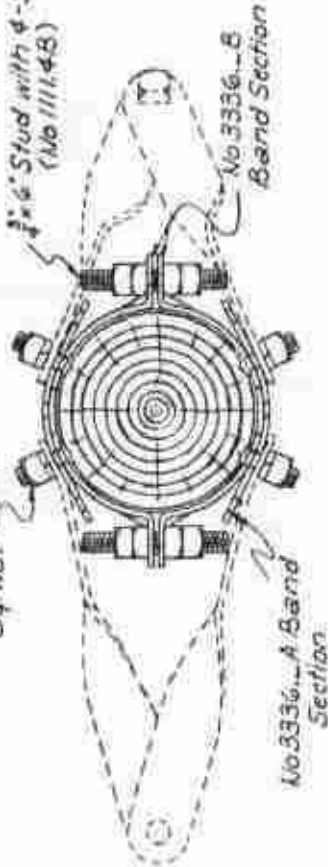


**NO. 3336
POLE BAND
TEST REPORT**



1 1/2" Cone-Head Bolt with Spring Lock Washer and Sq Nut



No. 3336...A Links •
 3/8" x 3/16" c to c hole
 3/8" x 3" Bolt with Sq Nut Lock Nut •
 No. 28082
 Guy Roller •

* Links, rollers and bolts to be ordered as separate items.

BAND NUMBER	SIZE POLE
No. 3336...5	7" to 11" POLE DIAM.
No. 3336...6	8" to 13" POLE DIAM.
No. 3336...7	11" to 17" POLE DIAM.

MATERIAL LIST

QUAN.	PART NO.	PART NO.	DESCRIPTION
	No. 3336...5	No. 3336...6	POLE BAND POLE BAND POLE BAND
2	No. 3336...5A	No. 3336...7A	Band Section
4	No. 3336...5B	No. 3336...7B	Band Section
2	No. 1111...4B	No. 1111...4B	1/2" x 6" Stud with 4-Sq Nuts
4	CH8103	CH8103	1/2" Cone-Head Bolt, Spring Lock Washer, Sq Nut

"HUGHES" NO. 3336 POLE BAND ASSEMBLY

DESIGNED BY	Ray
CHECKED BY	
DATE	6-11-58
REVISED	

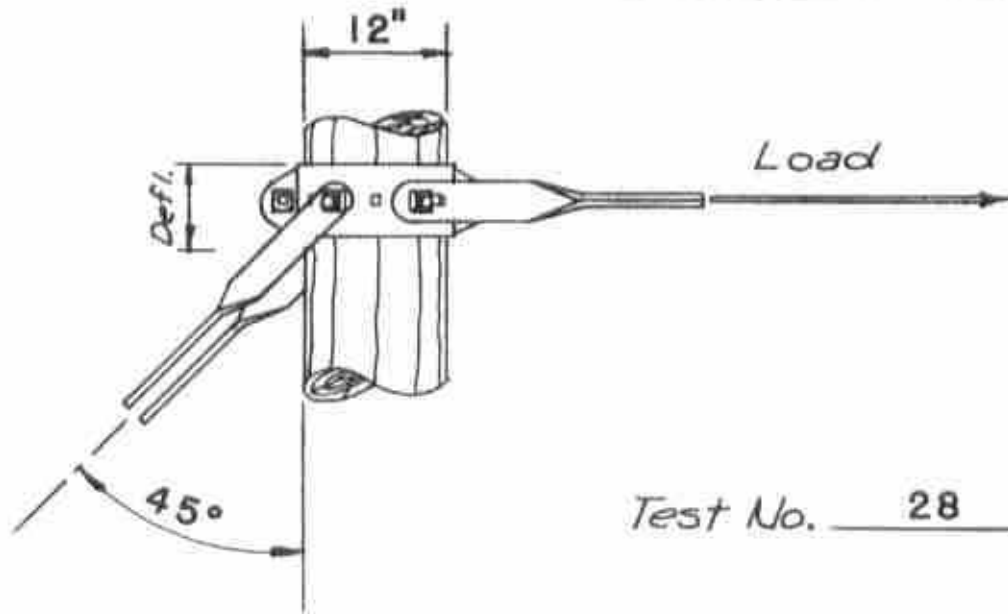
HUGHES SEWARD
 FOUNDED - 1881



BROTHERS
 NEBRASKA
 INCORPORATED

DRG. 3336
 NO.

Date: 6-23-77



Test No. 28

Note: Band included 4-LS-54

DATA

LOAD	CALCULATED GUY LOAD	DEFL.	PIC. No.	REMARKS
0	0	0	1	
5000	7071	0	2	
10000	14142	0	3	
15000	21213	-5/16	4	
20000	28284	-5/16	5	
25000	35355	-5/16	6	
30000	42426	-5/16	7	
33500	47376		8,9	Failure of Side Plate

No. 3336 POLE BAND TEST
45 DEGREE GUYING ANGLE

Drawn D. POLICKY

Appr.

Appr.

HUGHES
SEWARD

FOUNDED - 1921

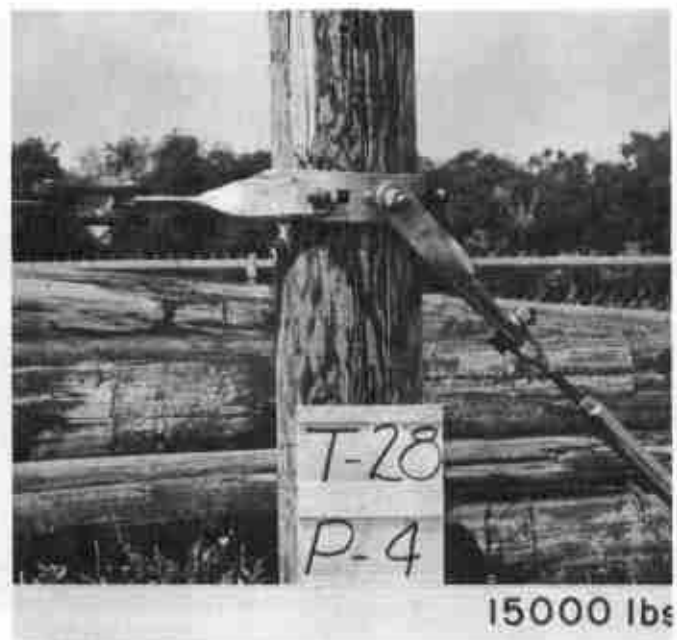
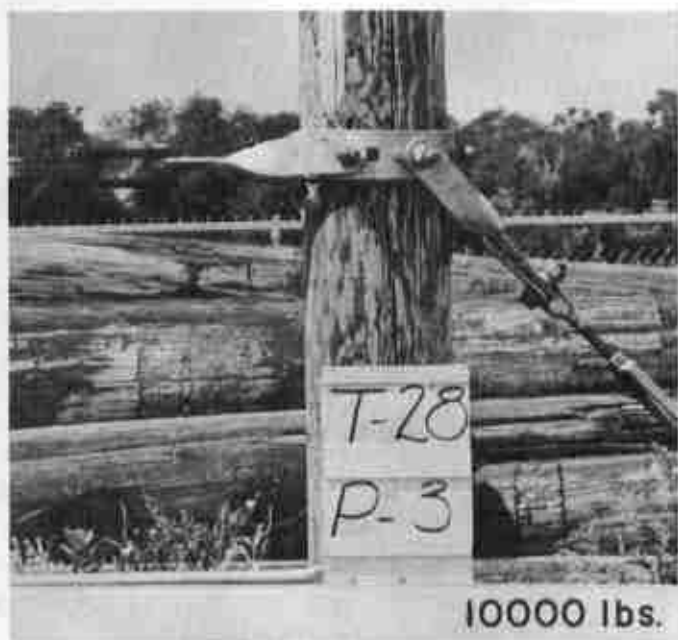


BROTHERS
NEBRASKA

INCORPORATED

DRG. NO.

A-2136-K1





20000 lbs.



25000 lbs.



30000 lbs.



Failure

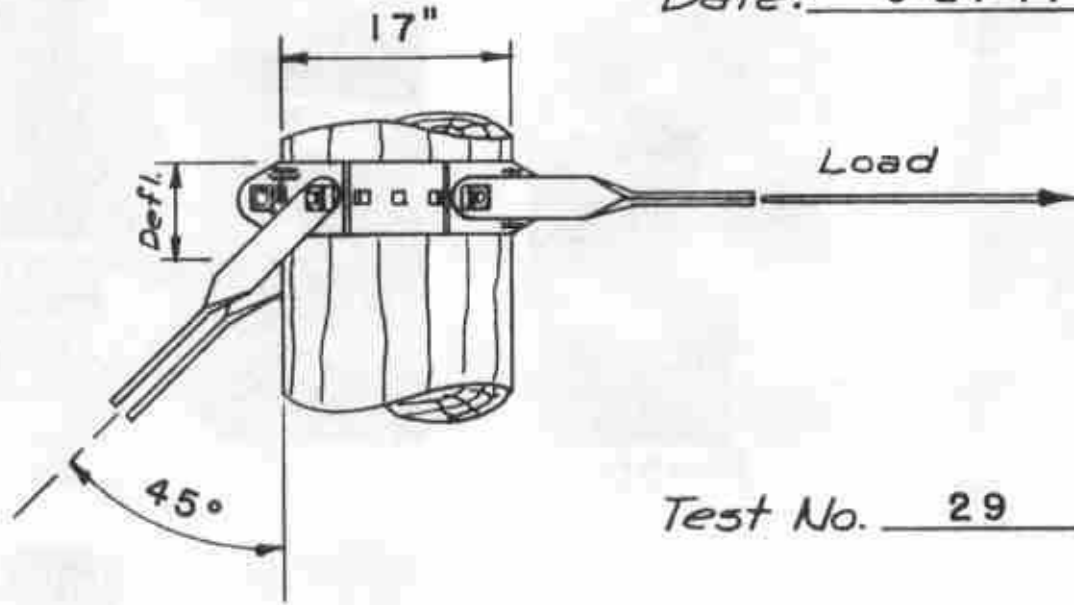
33500 lbs.



Failure

33500 lbs.

Date: 6-24-77



Test No. 29

Note: Band included 4-LS-54

DATA

LOAD	CALCULATED GUY LOAD	DEFL.	PIC. No	REMARKS
0	0	0	1	
5000	7071	0	2	
10000	14142	1/16"	3	
15000	21213	1/8"	4	
20000	28284		5	Failure of Side Plate

No. 3336 POLE BAND TEST
45 DEGREE GUYING ANGLE

Drawn D. POLICKY
Appr.
Appr.

HUGHES
SEWARD
FOUNDED - 1921



BROTHERS
NEBRASKA
INCORPORATED

DRG. NO.
A-2136-K2



0 lbs.



5000 lbs.



10000 lbs.



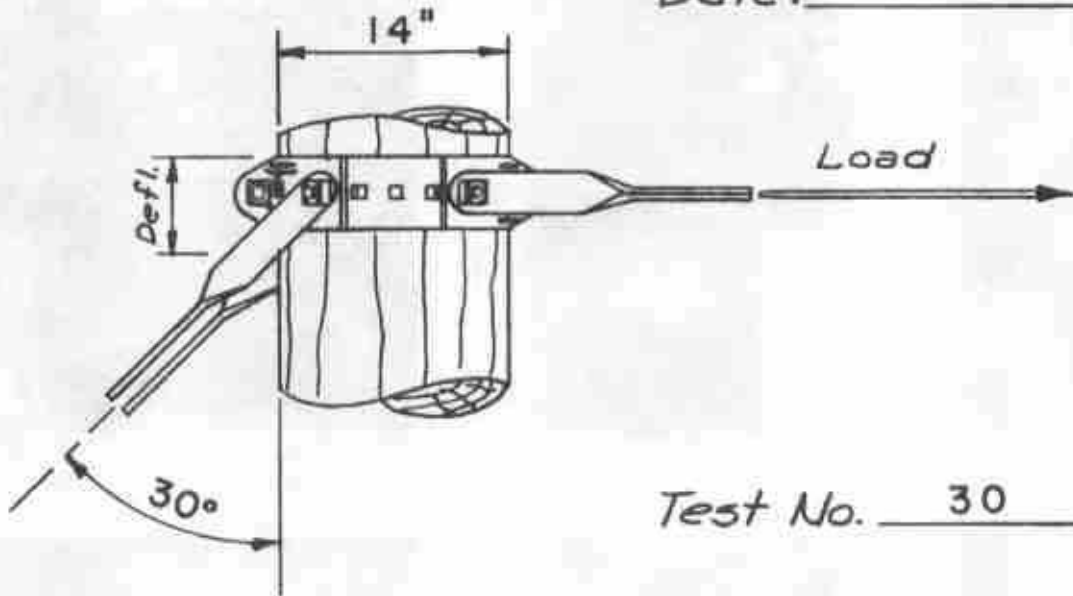
15000 lbs



Failure

20000 lbs

Date: 6-24-77



Test No. 30

Note: Band included 4-LS-54

DATA

LOAD	CALCULATED GUY LOAD	DEPL.	Pk. No	REMARKS
0	0	0	1	
5000	10000	0	2	
7100	14200	-1/16	3	
10000	20000	-1/8	4	
15000	30000	-1/8	5	
20000	40000	-1/8	6	
25000	50000	-1/8	7	
28000	56000		8	Failure of Side Plate

No. 3336 POLE BAND TEST
30 DEGREE GUYING ANGLE

Drawn D. POLICKY
Appr.
Appr.

HUGHES
SEWARD
FOUNDED - 1921



BROTHERS
NEBRASKA
INCORPORATED

DRG. NO.
A-2136-K3





15000 lbs.



20000 lbs



25000 lbs.



Failure

28000 lbs