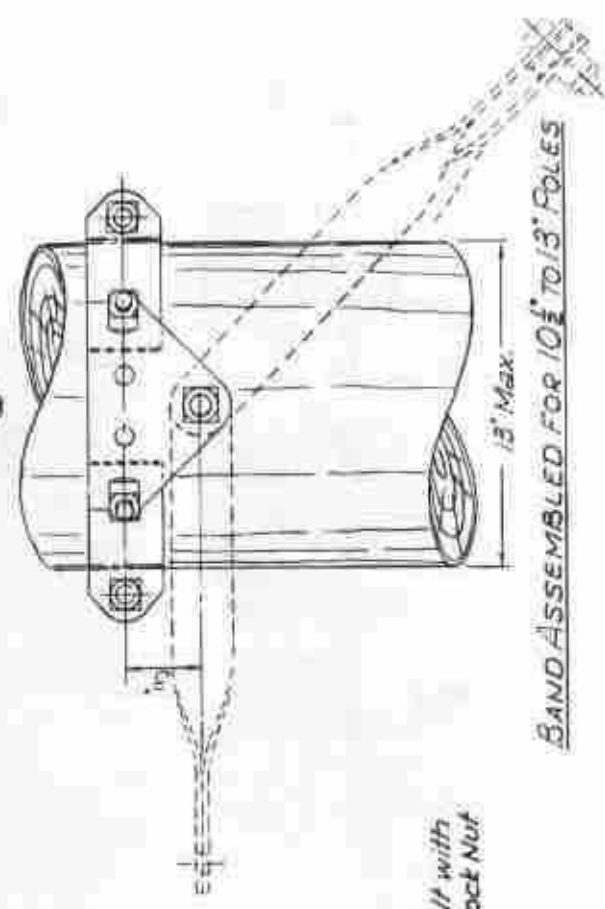
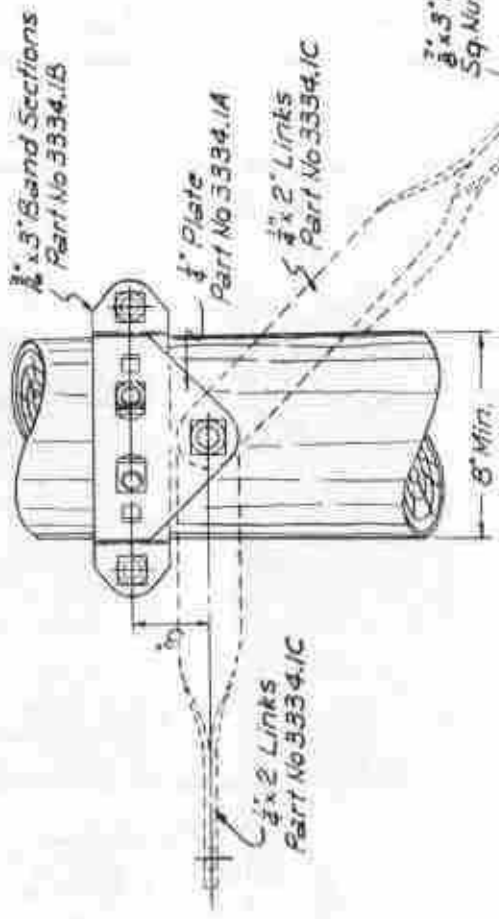
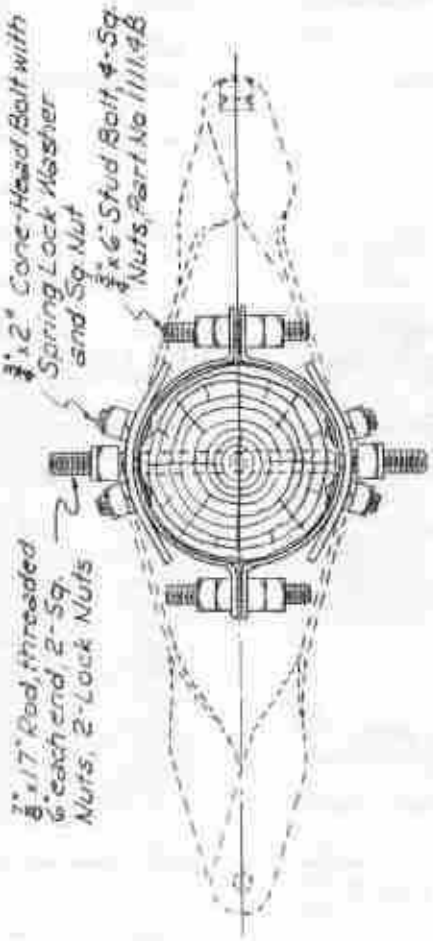


**NO. 3334  
POLE BAND  
TEST REPORT**

**HUGHES  
BROTHERS**



BAND ASSEMBLED FOR 8 TO 10 1/2" POLES

BAND ASSEMBLED FOR 10 1/2 TO 13" POLES

QTY	PART NO.	DESCRIPTION
2	3334.1A	Band Section
4	3334.1B	Band Section
1	TR-17-6	3/4 x 17 Thrd Rod, 2-Sq. Nuts, 2-Lock Nuts
2	1111.4B	3/4 x 6 Stud, 4-Sq. Nuts
4	CH-72	3/4 x 2 Cone-Head Bolt, Lock Washer, Sq. Nut
Specify	3334.1C	3/4 x 2 Twisted Link (Pairs)
"	3333.2A	3/4 x 2 Twisted Link (Single)
"	3333.2B	3/4 x 3 Link (Single)
"	28082	Guy Roller (3/4 x 2 1/2")
"	1853	3/4 x 3 Bolt, Sq. Nut, Lock Nut

No 28082 Guy Roller

3/4 x 3 Bolt with Sq Nut, Lock Nut

1/2 x 5 Band Sections Part No 3334.1B

3/4 Plate Part No 3334.1A

3/4 x 2 Links Part No 3334.1C

"HUGHES" NO. 3334 POLE BAND ASSEMBLY FOR 8" TO 13" POLE DIAMETER



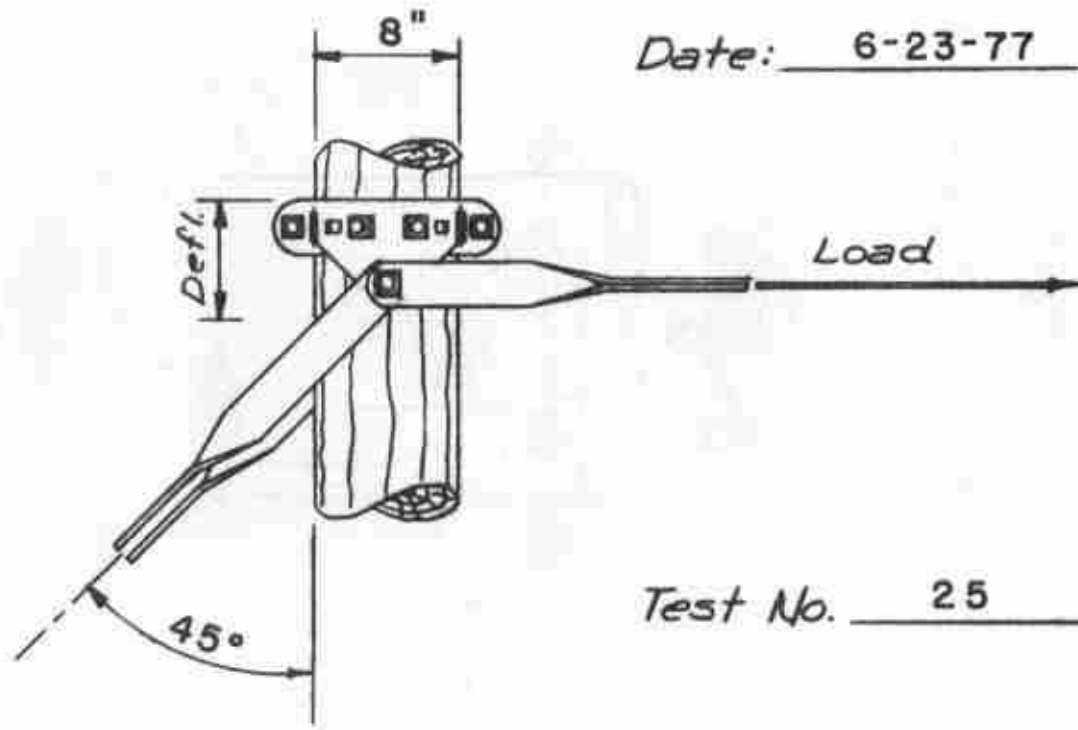
HUGHES BROTHERS  
SEWARD  
FOUNDED 1891

Wm. Hughes  
Mfg. Co.

Wm. Hughes  
Mfg. Co.

HUGHES BROTHERS  
NEBRASKA  
INCORPORATED

DRG. NO. 3334



DATA

LOAD	CALCULATED GUY LOAD	DEPL.	PIC. No.	REMARKS
0	0	0	1	
5000	7071	0	2	
10000	14142	0	3	
15000	21213	0	4	
20000	28284	0	5	
25000	35355		6,7	Failure of Guying Links

No. 3334 POLE BAND TEST  
45 DEGREE GUYING ANGLE

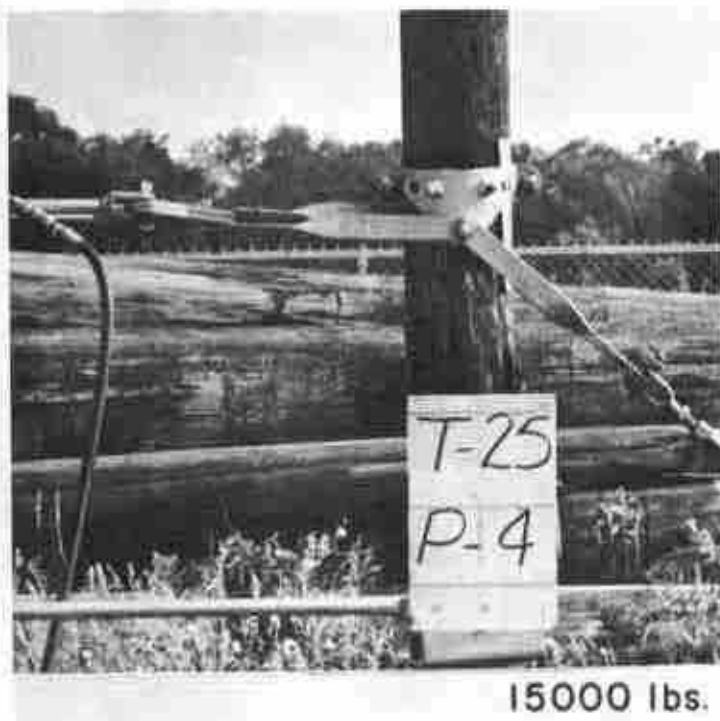
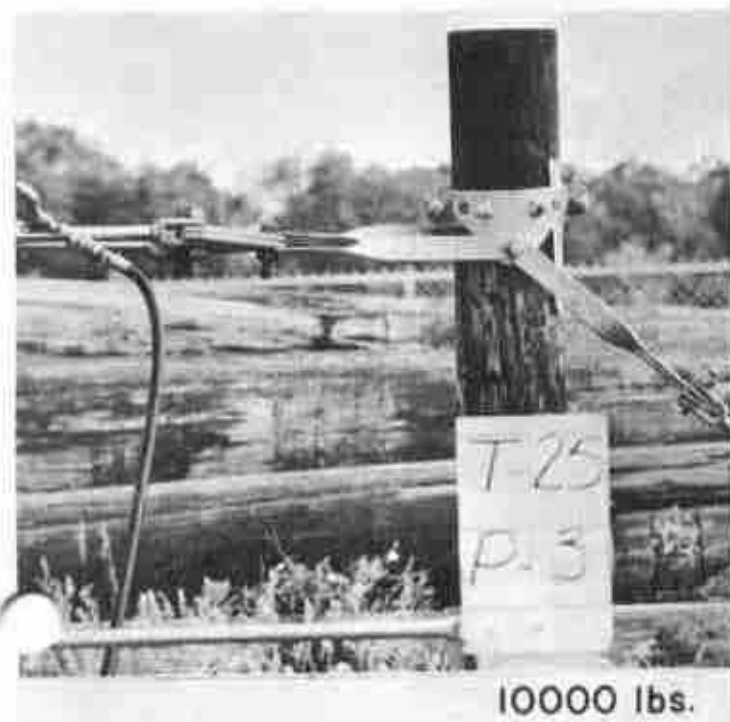
Drawn D. POLICKY  
 Appr.  
 Appr.

**HUGHES**  
**SEWARD**  
 FOUNDED - 1921



**BROTHERS**  
**NEBRASKA**  
 INCORPORATED

DRG. NO.  
 A-2136-JI





20000 lbs.



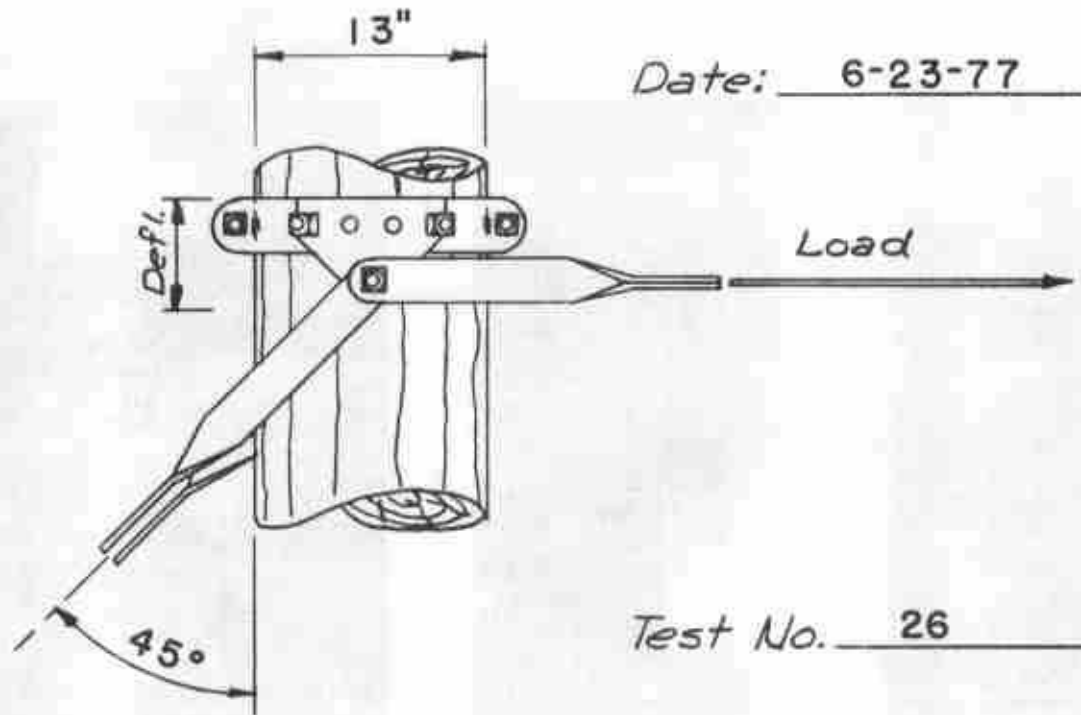
Failure

25000 lbs.



Failure

25000 lbs



DATA

Load	CALCULATED GUY LOAD	DEFL.	Pic No.	REMARKS
0	0	0	1	
5000	7071	0	2	
10000	14142	0	3	Slight Thru-Bolt
15000	21213	0	4	Deformation
19000	26870		5	Failure of Guying Links

No. 3334 POLE BAND TEST  
45 DEGREE GUYING ANGLE

Drawn D. POLICKY  
Appr.  
Appr.

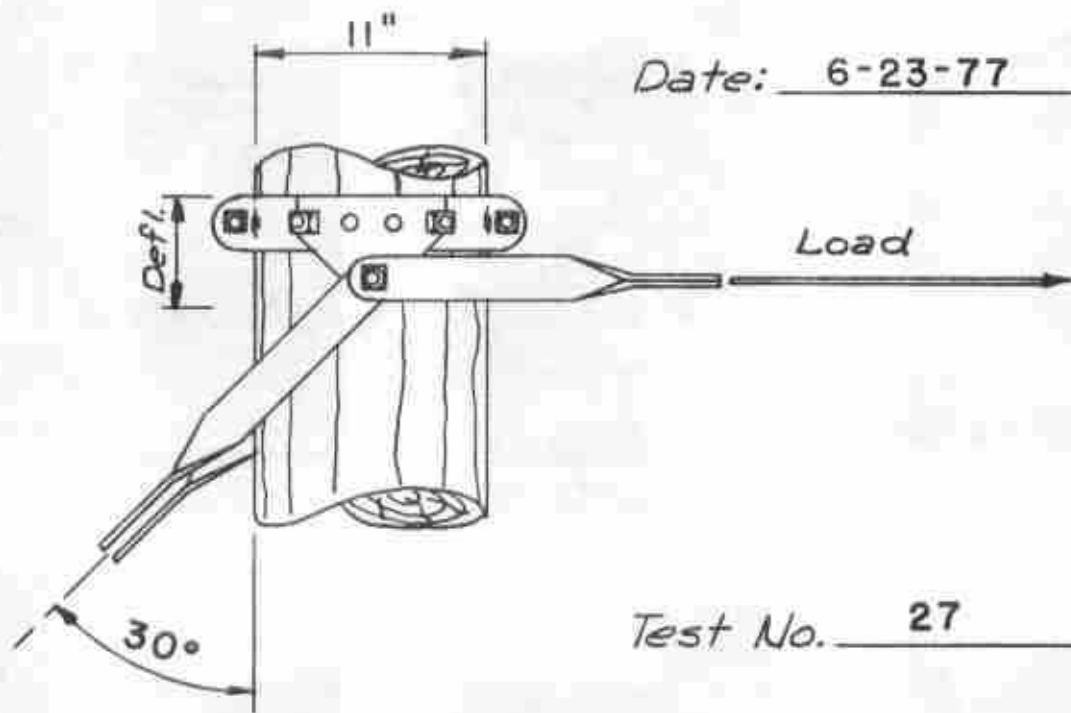
**HUGHES**  
**SEWARD**  
FOUNDED - 1921



**BROTHERS**  
**NEBRASKA**  
INCORPORATED

DRG. NO.  
**A-2136-J2**





Date: 6-23-77

Test No. 27

DATA

Load	CALCULATED GUY LOAD	DEFL.	Pic. No.	REMARKS
0	0	0	1	
5000	-10000	0	2	
7100	14200	0	3	
10000	20000	0	4	
15000	30000	0	5	
20000	40000	0	6	Slight Thru-Bolt
25000	50000		7	Deformation
25200	50400		8,9	Failure of Thru-Bolt

No. 3334 POLE BAND TEST  
30 DEGREE GUYING ANGLE

Drawn D. POLICKY  
Appr.  
Appr.

**HUGHES SEWARD**  
FOUNDED - 1921



**BROTHERS NEBRASKA**  
INCORPORATED

DRG. NO.  
**A-2136-J3**





T-27

P-1

0 lbs.



T-27

P-2

5000 lbs.



T-27

P-3

7100 lbs.



T-27

P-4

10000 lbs.



T-27

P-5

15000 lbs.



20000 lbs

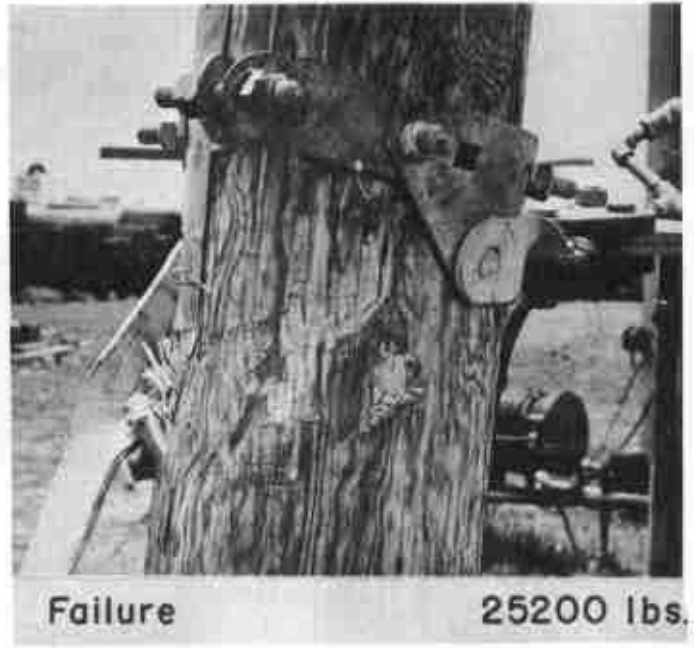


25000 lbs



Failure

25200 lbs.



Failure

25200 lbs.