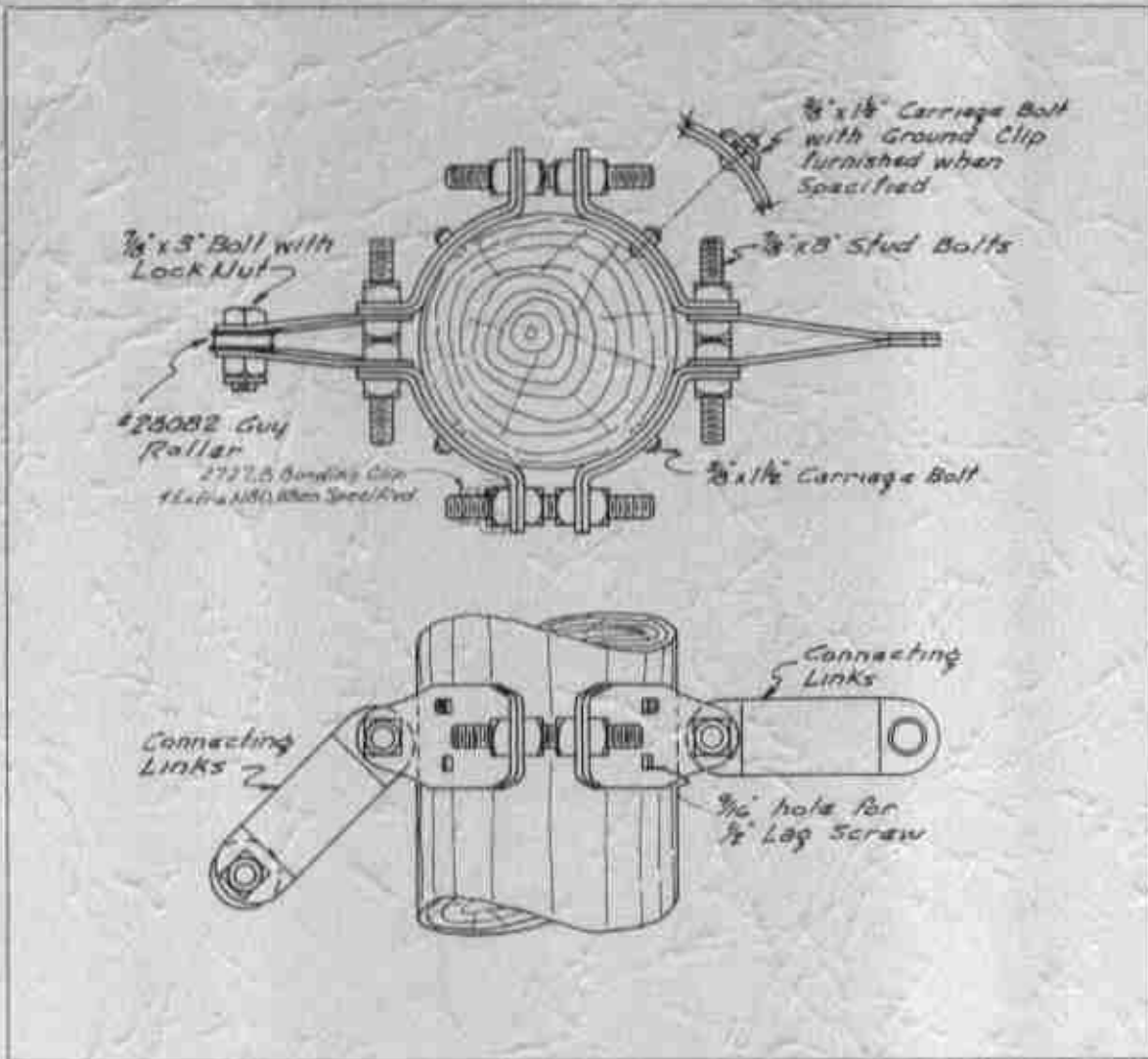


Hughes No. 3105 POLE BAND TEST



HUGHES
BROTHERS

P.O. Box 159, 210 N. 13th Street, Seward, Nebraska 68434 • Phone 402/643-2991 Telex 438076

Stock No.	Pole Diameters	Band Sect Part No.
3105.5	7" to 10"	3105.5A
3105.6	9" to 12"	3105.6A
3105.7	11" to 14"	3105.7A
3105.8	13" to 16"	3105.8A

3/8" x 1 1/8" Carriage Bolt
with Ground Clip
furnished when specified.

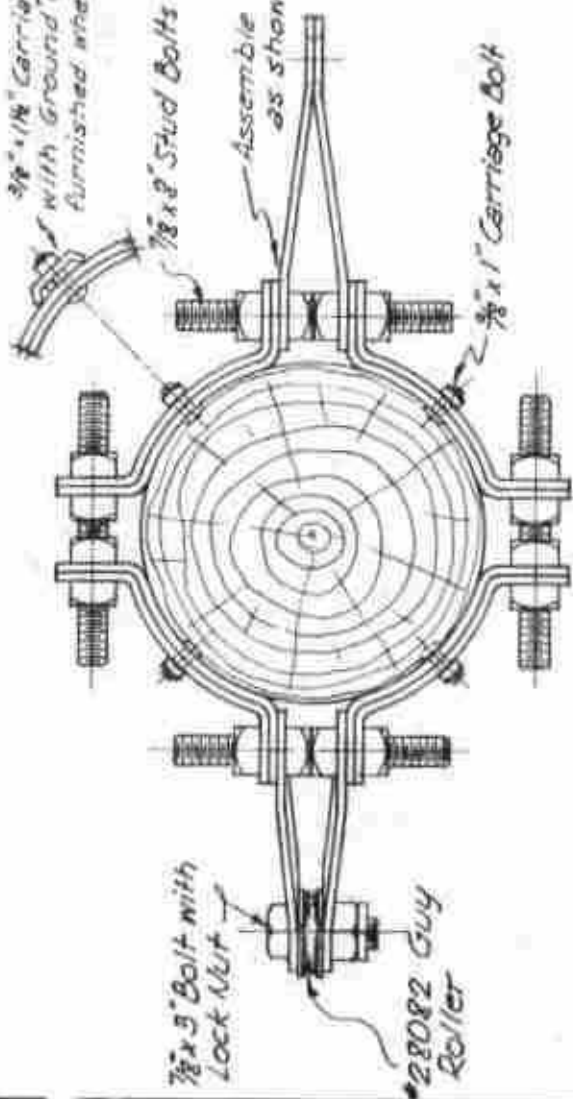
1/8" x 8" Stud Bolts

Assemble links between nut and band
as shown.

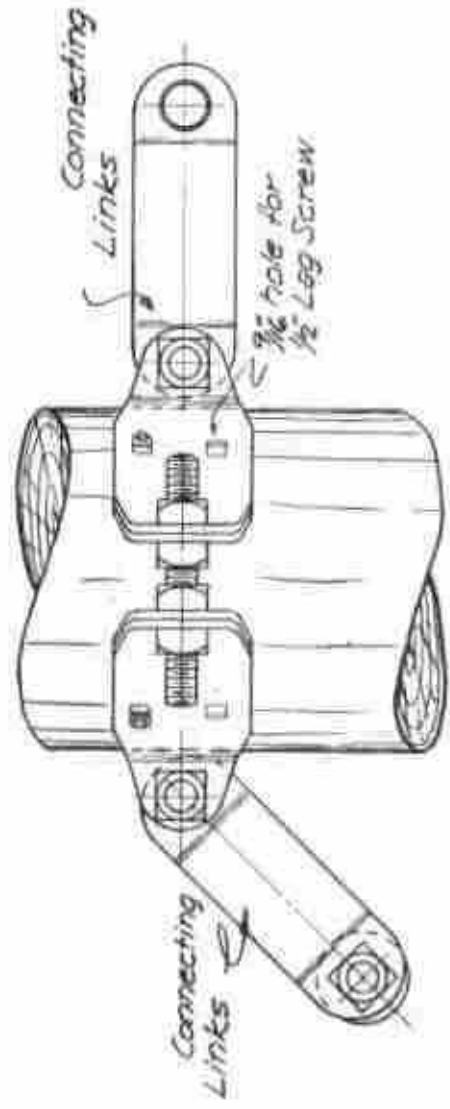
3/8" x 1" Carriage Bolt

3/8" x 3" Bolt with
Lock Nut

#28082 Guy
Roller



Conductor attachment and guying
links, bolts, and roller to be specified
as separate items.



No. 3105 POLE BAND
FOR POLE DIAMETERS 7" TO 16"

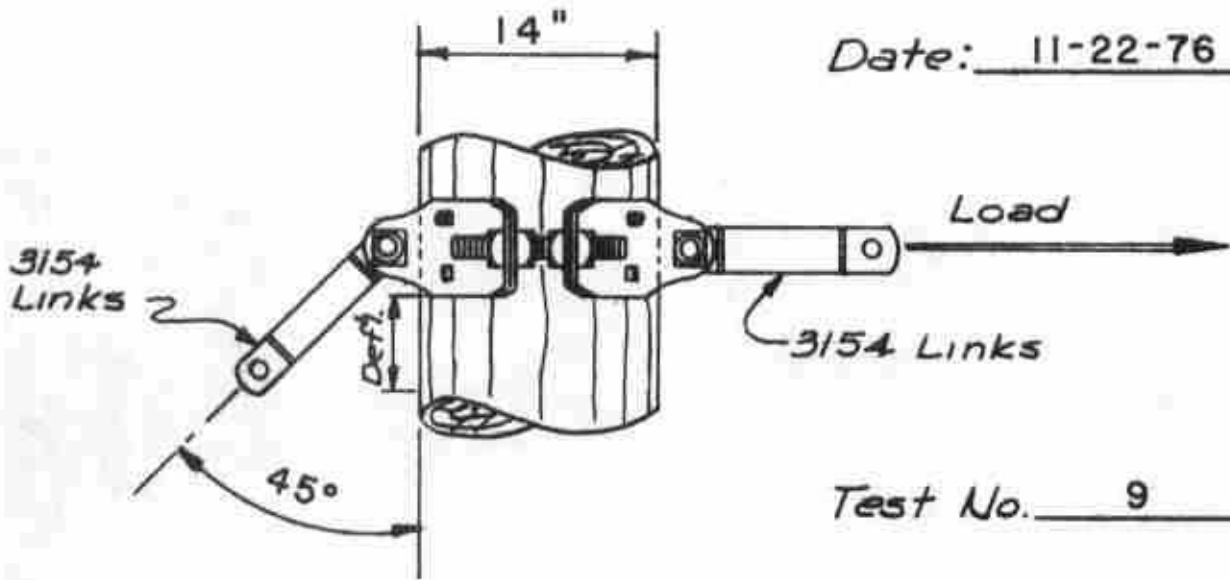
NAME
DATE
AREA



HUGHES
SEWARD
INCORPORATED
FOUNDED 1881

BROTHERS
NEBRASKA

DRG. 3105
NO.



Date: 11-22-76

Test No. 9

Note: Band included 4-LS-54

DATA

LOAD	CALCULATED GUY LOAD	DEFL.	PIC. No.	REMARKS
0	0	0	1	
5000	7071	3/8"	2	
10000	14142	7/8"	3	
15000	21213	2 1/8"	4	
20000	28284	3 5/8"	5	
23500	33234		6	Failure of Guying Stud

No. 3105 POLE BAND TEST
45 DEGREE GUYING ANGLE

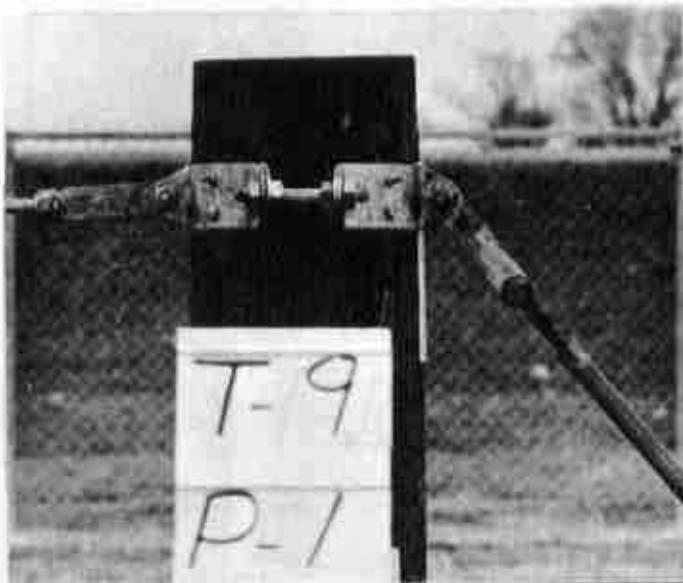
Drawn D. POLICKY
Appr.
Appr.

HUGHES
SEWARD
FOUNDED - 1921



BROTHERS
NEBRASKA
INCORPORATED

DRG. NO.
A-2136-EI



0 lbs.



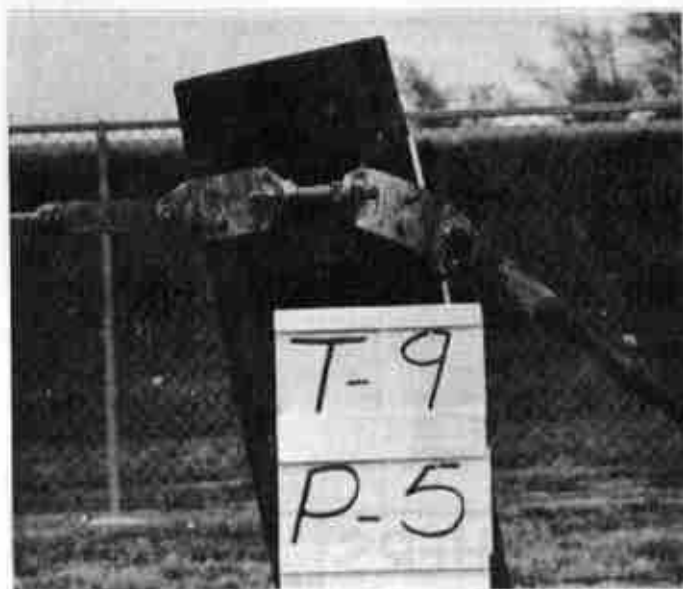
5000 lbs.



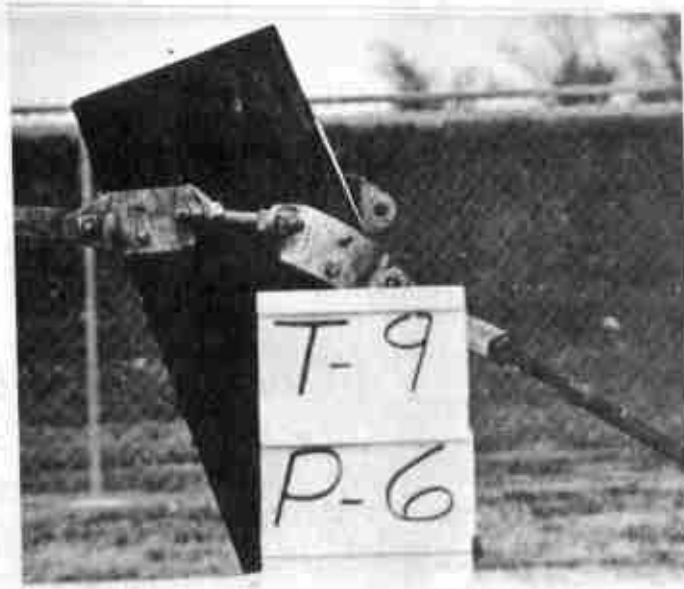
10000 lbs.



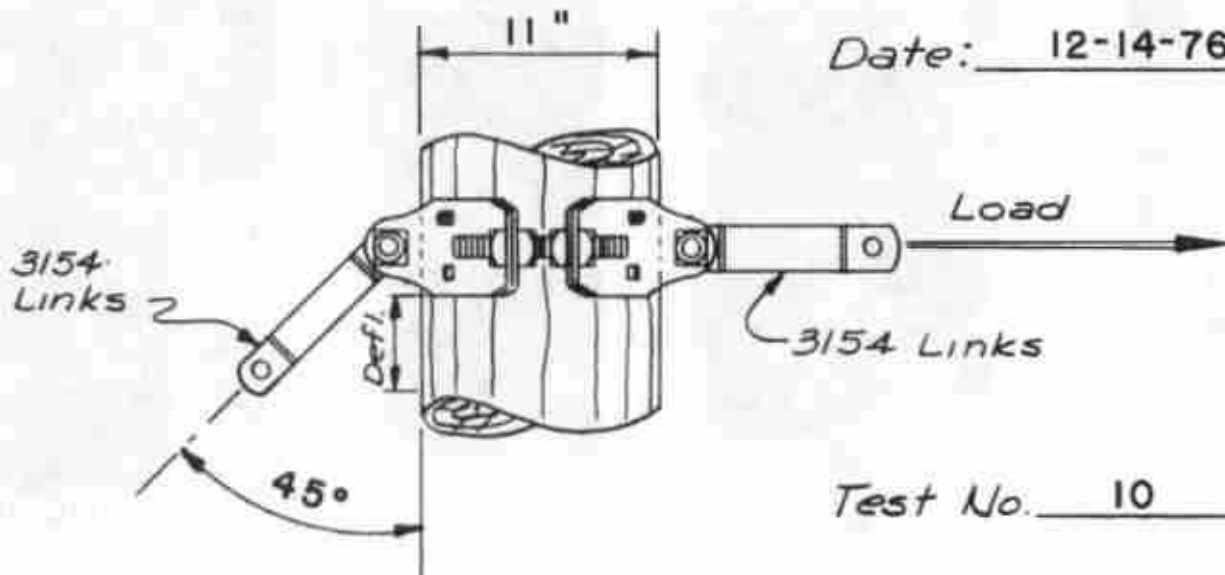
15000 lbs.



20000 lbs.



23500 lbs.



Note: Band included 4-LS-54

DATA

LOAD	CALCULATED GUY LOAD	DEFL.	PIC. No.	REMARKS
0	0	0	1	Very Soft Pole
5000	7071	1/4"	2	
10000	14142	1"	3	
15000	21213	1 3/4"	4	
20000	28284	3 3/8"	5	
28000	39598		6	Failure of Guying Assembly

No. 3105 POLE BAND TEST
45 DEGREE GUYING ANGLE

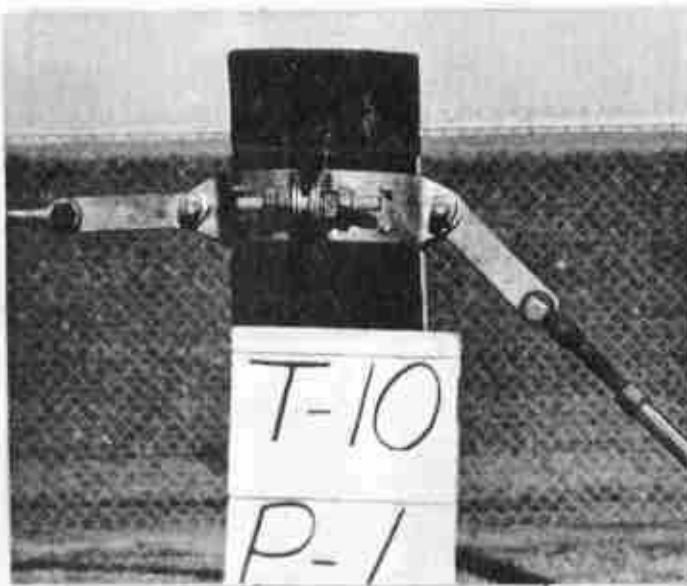
Drawn D. POLICKY
 Appr.
 Appr.

HUGHES
SEWARD
 FOUNDED - 1921



BROTHERS
NEBRASKA
 INCORPORATED

DRG. NO.
 A-2136-E2



0 lbs.



5000 lbs.



10000 lbs.



15000 lbs.

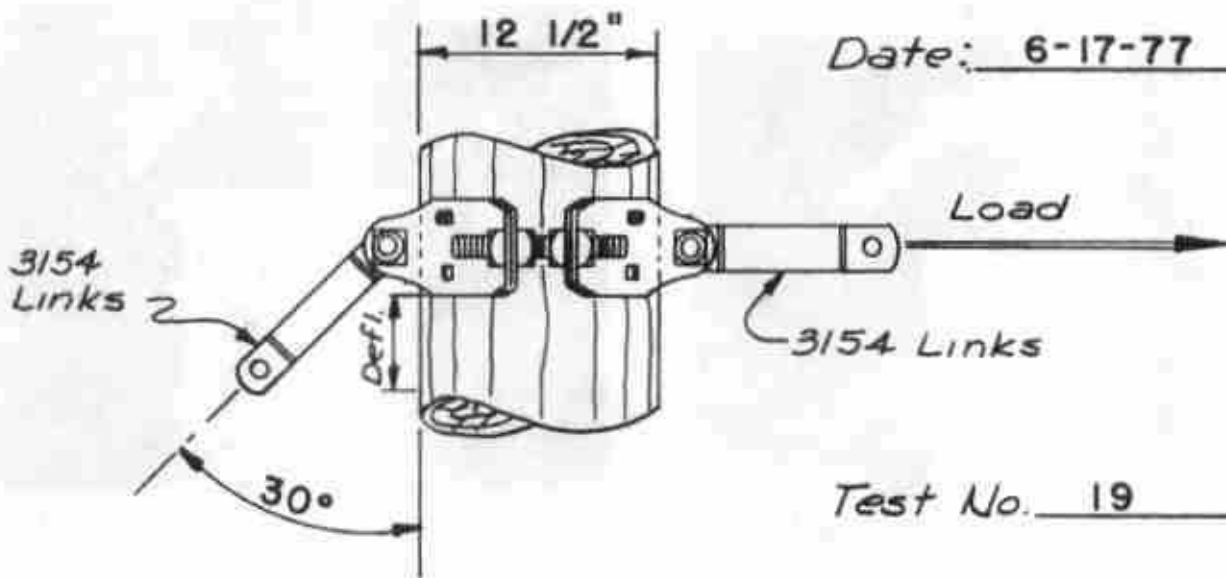


20000 lbs.



Failure

28000 lbs.



Note: Band included 4-LS-54

DATA

LOAD	CALCULATED GUY LOAD	DEFL.	PIC. No.	REMARKS
0	0	0	1	
5000	10000	3/4"	2	
7000	14000	1 1/8"	3	
10000	20000	1 3/4"	4	
14000	28000	2 7/8"	5	
16400	32800		6,7	Failure of Guying Stud

No. 3105 POLE BAND TEST
30 DEGREE GUYING ANGLE

Drawn D. POLICKY

Appr.

Appr.

HUGHES
SEWARD

FOUNDED - 1921

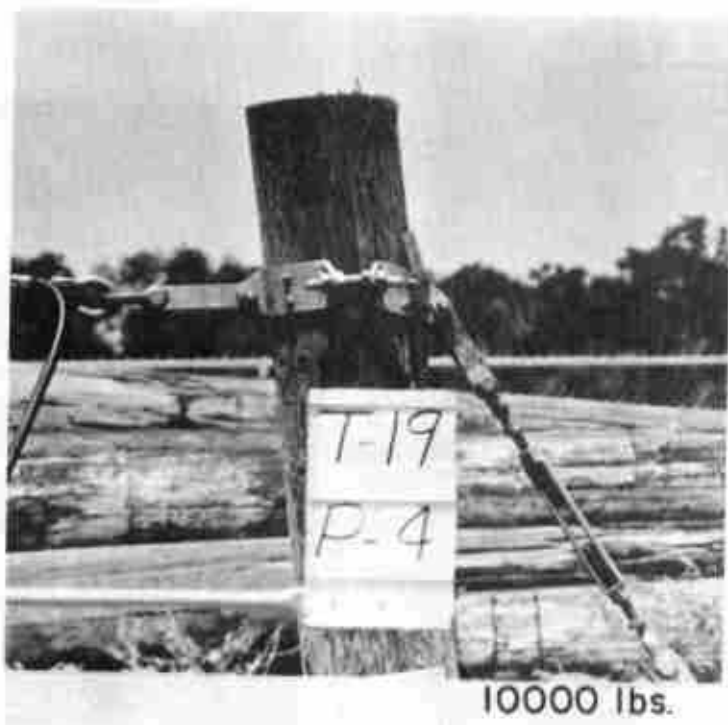
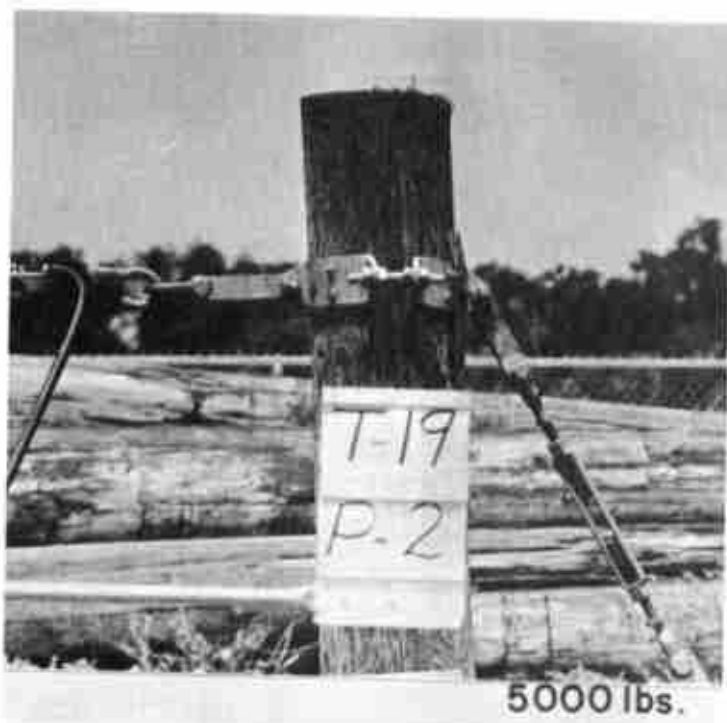
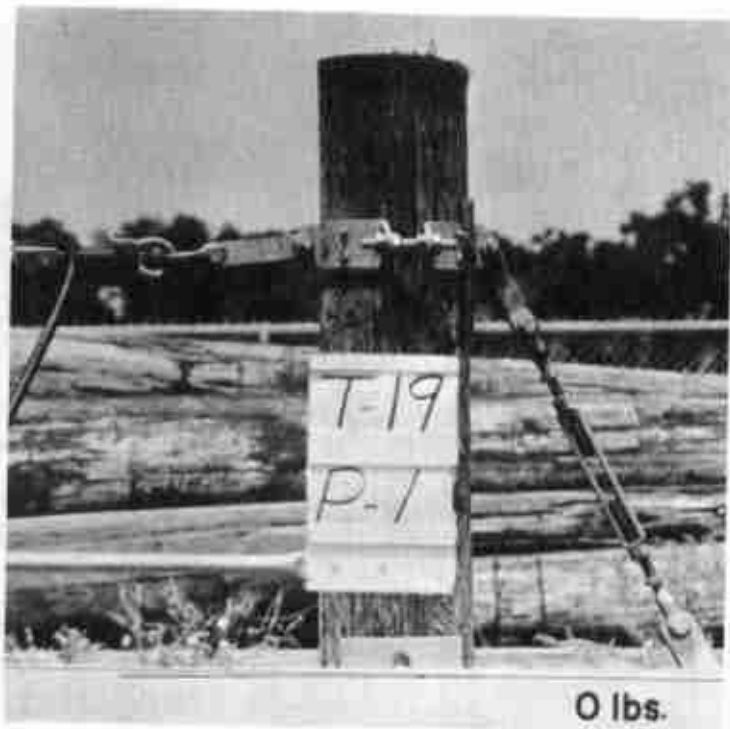


BROTHERS
NEBRASKA

INCORPORATED

DRG. NO.

A-2136-E3





14000 lbs.



Failure

16400 lbs.



Failure

16400 lbs.