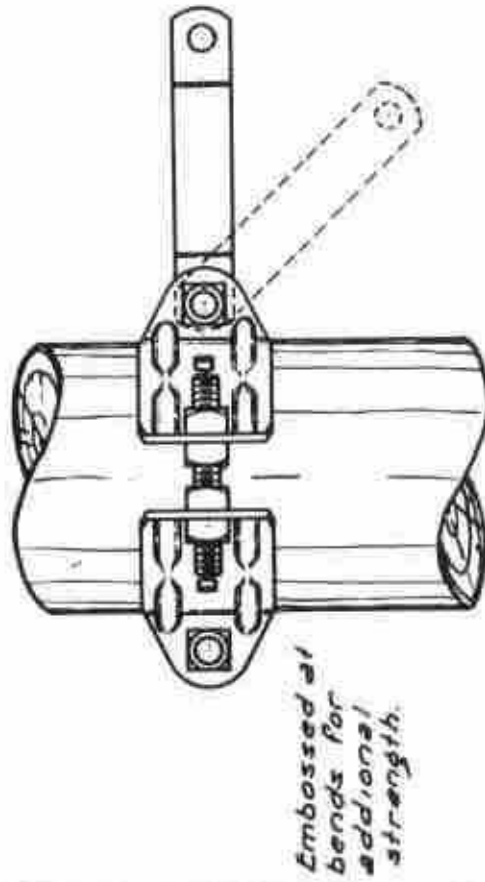
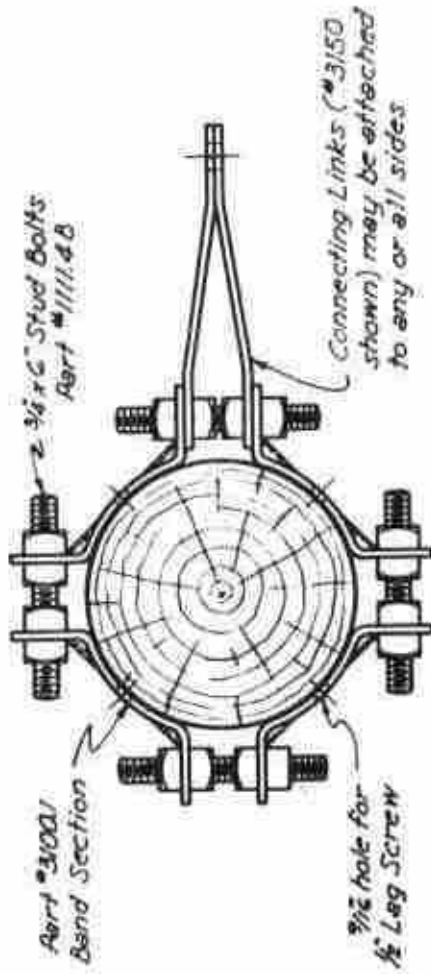


**NO. 3100  
POLE BAND  
TEST REPORT**





NO. 3100

HUGHES NO. 3100 POLE BAND  
 FOR 6 1/2" TO 10 1/2" POLES

DRAWN  
 BY  
 DATE

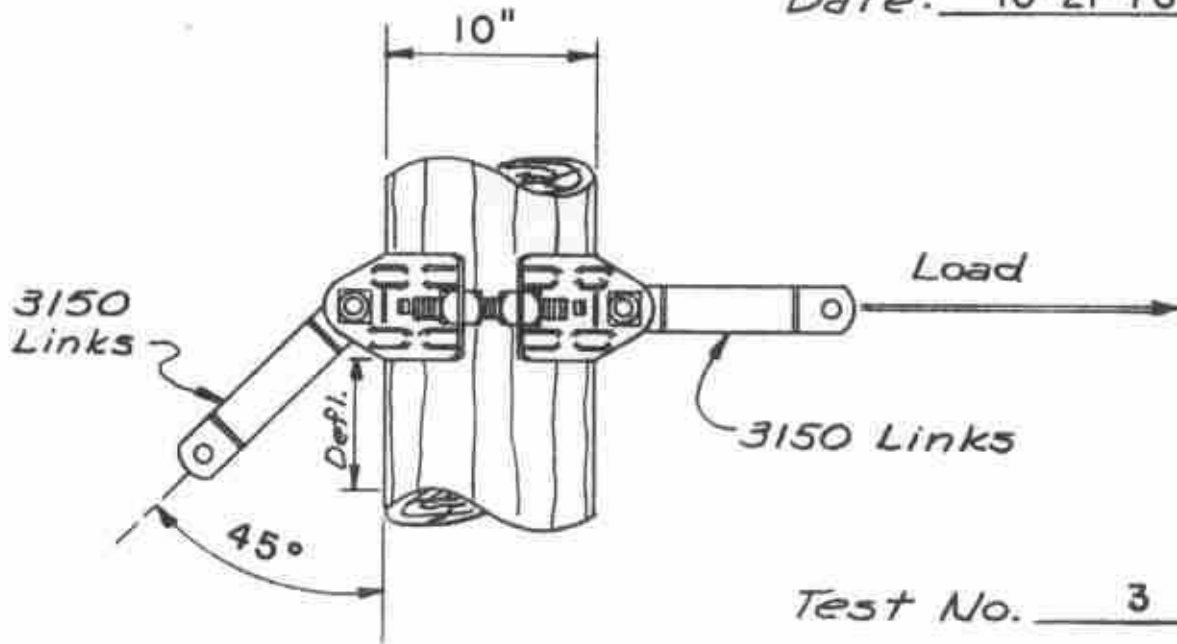
HUGHES  
 SEWARD



BROTHERS  
 NEBRASKA

DRG.  
 NO. 3100

Date: 10-21-76



Test No. 3

Note: Band included 4-LS-54

DATA

LOAD	CALCULATED GUY LOAD	DEFL.	PIC. No.	REMARKS
0	0	0	1	
3000	4243	1/4"	2	
6000	8485	3/8"	3	
9000	12728	5/8"	4	
12000	16971	1 3/8"	5	
18000	25456		6	Failure of Guying Stud

No. 3100 POLE BAND TEST  
45 DEGREE GUYING ANGLE

Drawn D. POLICKY  
Appr.  
Appr.

**HUGHES**  
**SEWARD**  
FOUNDED - 1921

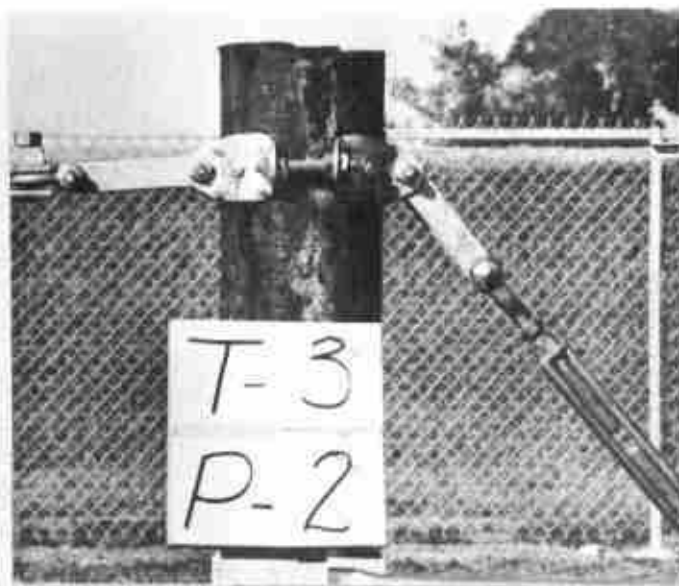


**BROTHERS**  
**NEBRASKA**  
INCORPORATED

DRG. NO.  
**A-2136-B1**



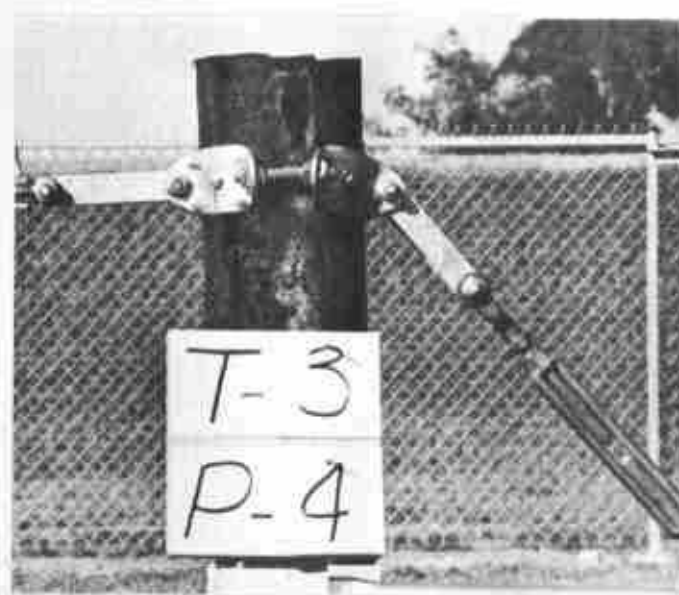
0 lbs.



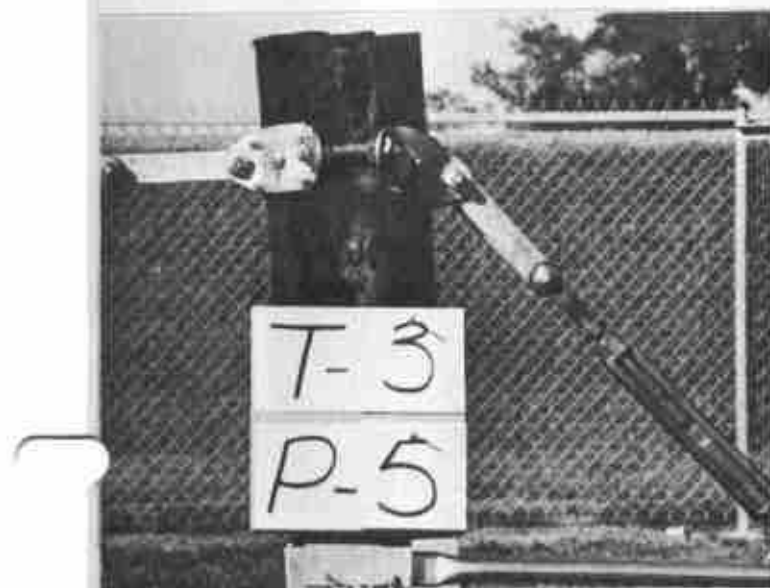
3000 lbs.



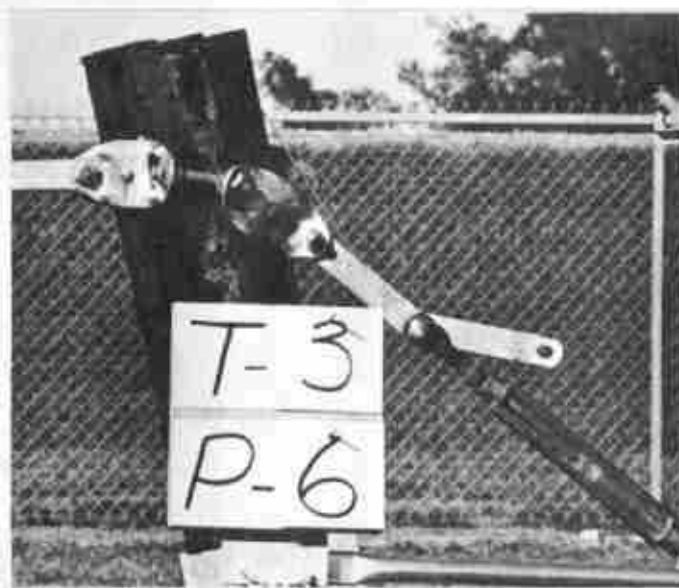
6000 lbs.



9000 lbs.



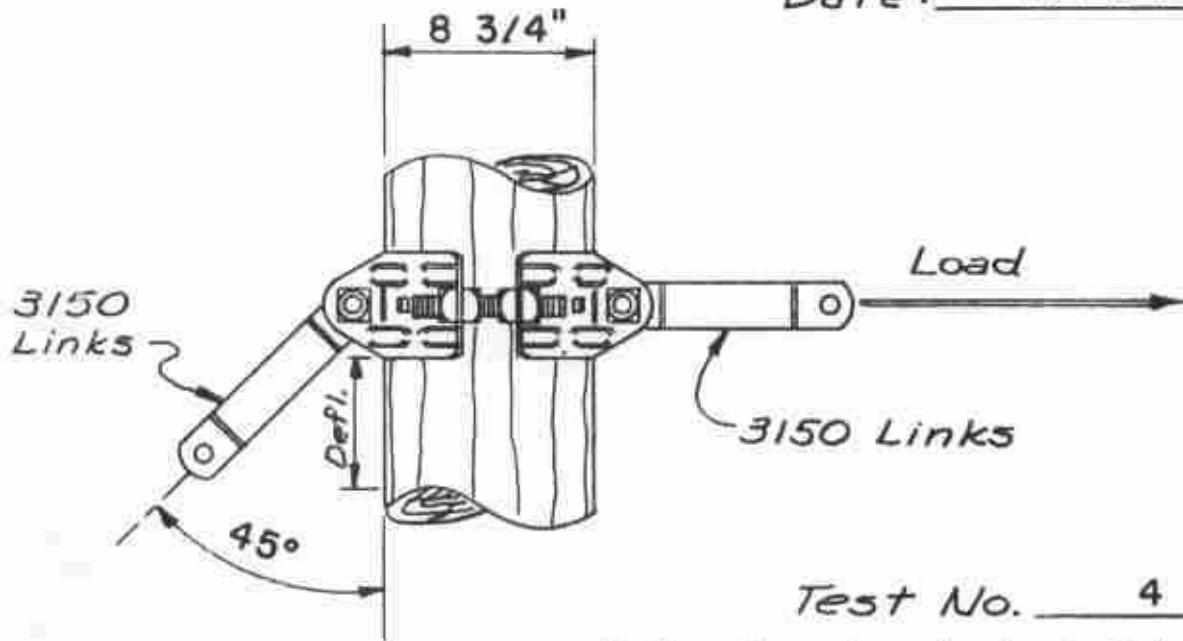
12000 lbs.



Failure

18000 lbs.

Date: 10-22-76



Test No. 4

Note: Band included 4-LS-54

DATA

LOAD	CALCULATED GUY LOAD	DEFL.	PIC. No.	REMARKS
0	0	0	1	
3000	4243	1/8"	2	
6000	8485	1/4"	3	
9000	12728	1/2"	4	
12000	16971	3/4"	5	
26400	37335		6	Failure of Guying Stud

No. 3100 POLE BAND TEST  
45 DEGREE GUYING ANGLE

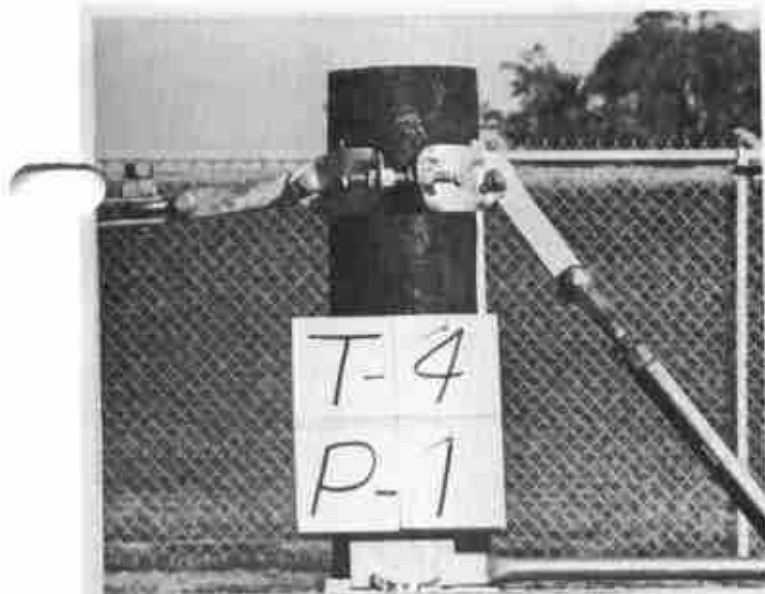
Drawn D. POLICKY  
Appr.  
Appr.

**HUGHES SEWARD**  
FOUNDED - 1921

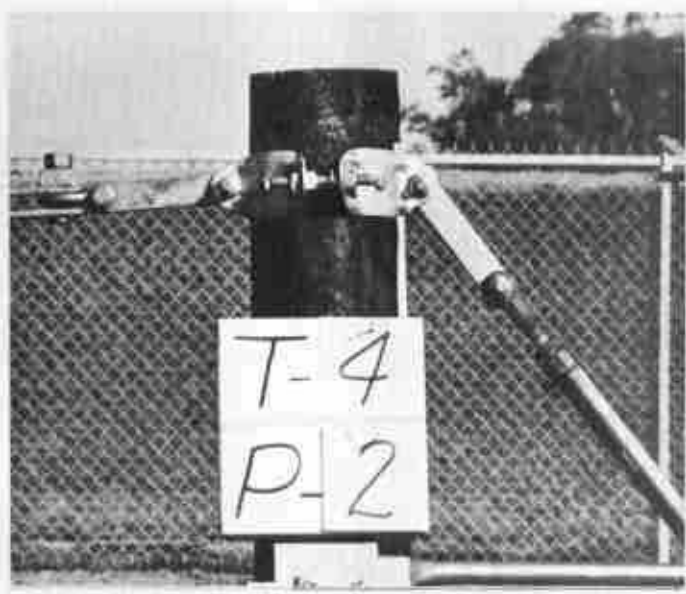


**BROTHERS NEBRASKA**  
INCORPORATED

DRG. NO.  
**A-2136-B2**



0 lbs.



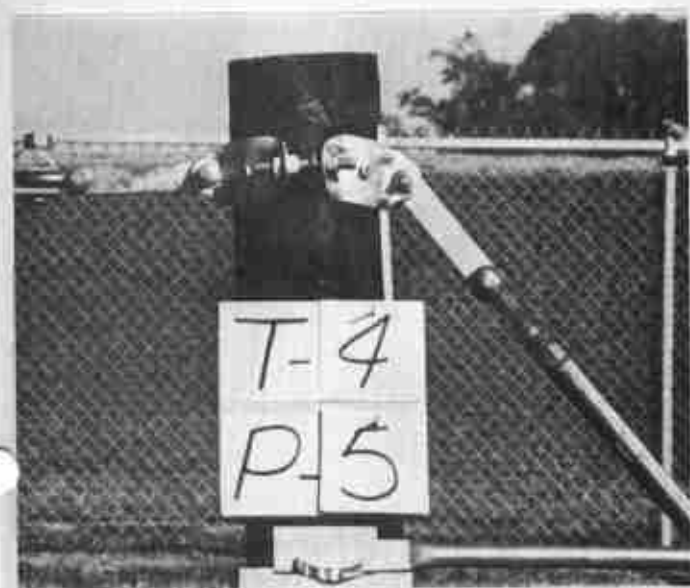
3000 lbs.



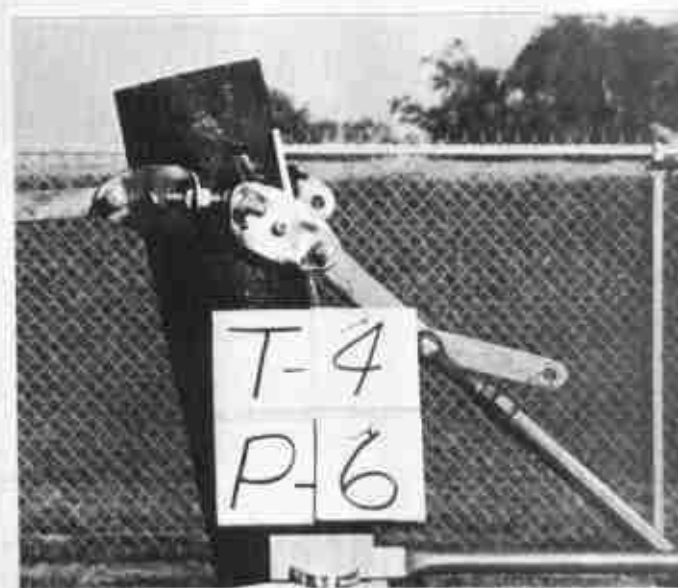
6000 lbs.



9000 lbs.



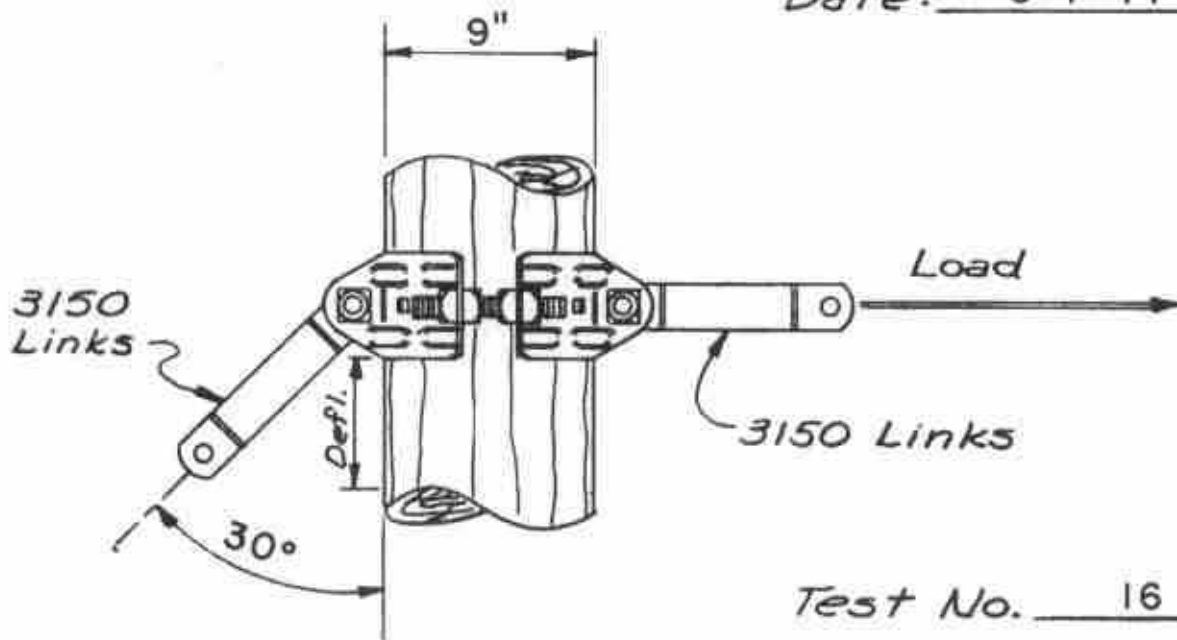
12000 lbs.



Failure

26400 lbs.

Date: 6-7-77



Test No. 16

Note: Band included 4-LS-54

DATA

LOAD	CALCULATED GUY LOAD	DEFL..	PIC. No.	REMARKS
0	0	0	1	
3000	6000	1/4"	2	
6000	12000	1"	3	
9000	18000	2 3/8"	4	
12000	24000	3 3/8"	5	
14000	28000		6,7	Failure of Guying Stud

No. 3100 POLE BAND TEST  
30 DEGREE GUYING ANGLE

Drawn D. POLICKY  
Appr.  
Appr.

**HUGHES**  
**SEWARD**  
FOUNDED - 1921



**BROTHERS**  
**NEBRASKA**  
INCORPORATED

DRG. NO.  
**A-2136-B3**



0 lbs.



3000 lbs.



6000 lbs.



9000 lbs.



12000 lbs.



Failure

14000 lbs.





Failure

14000 lbs.