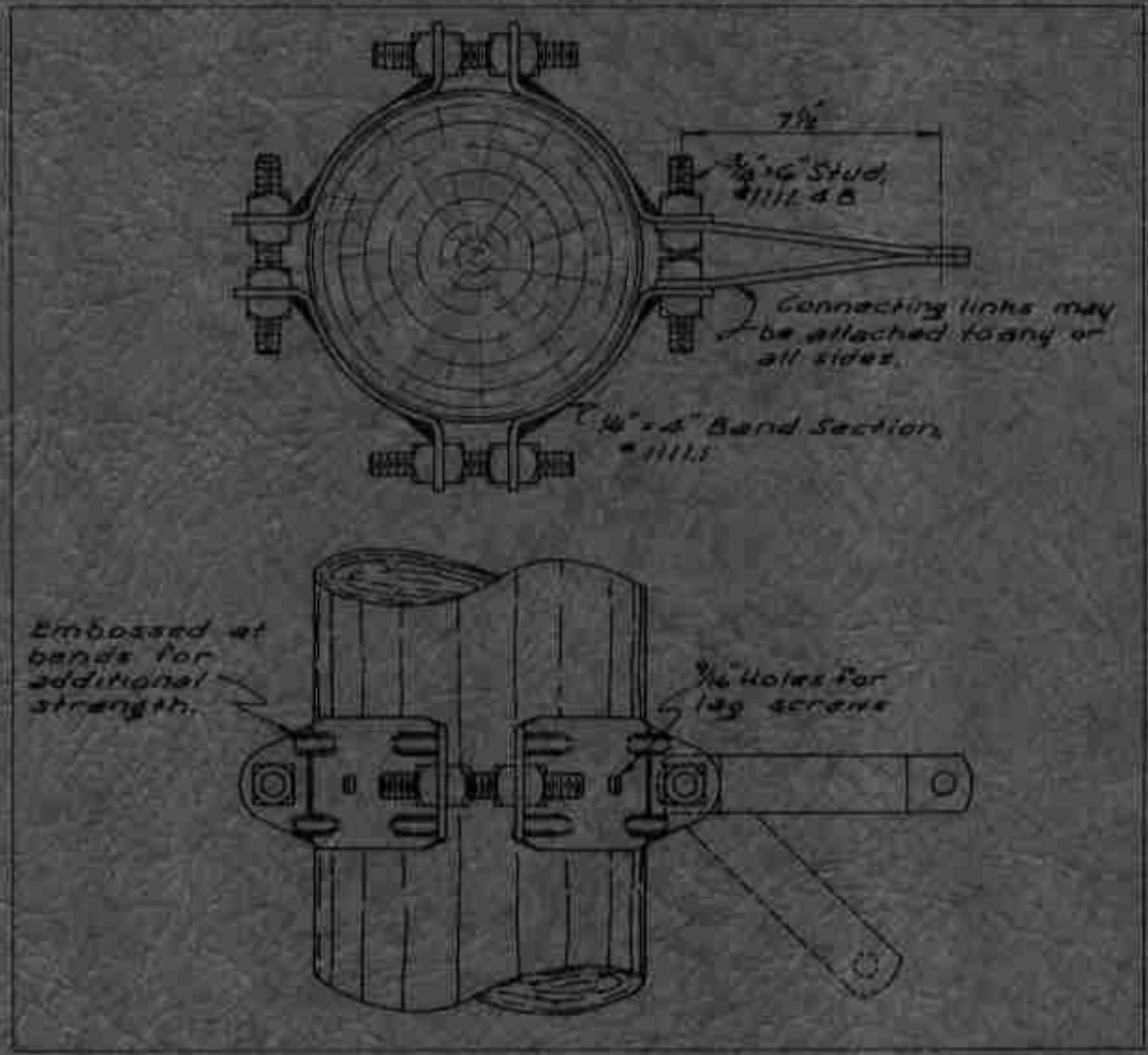
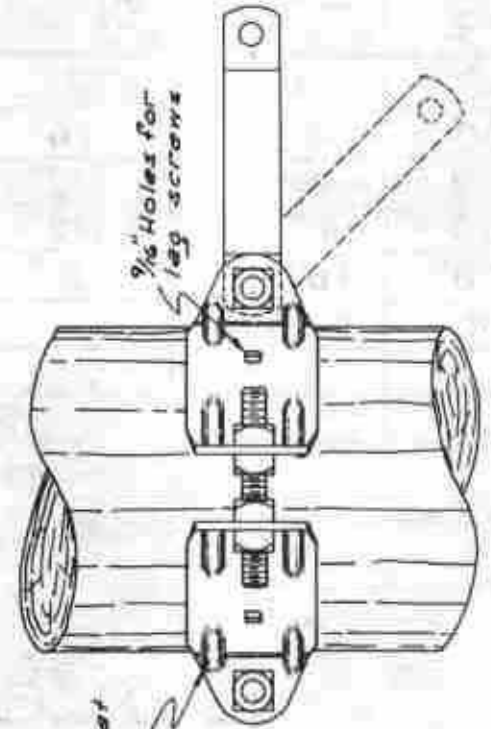
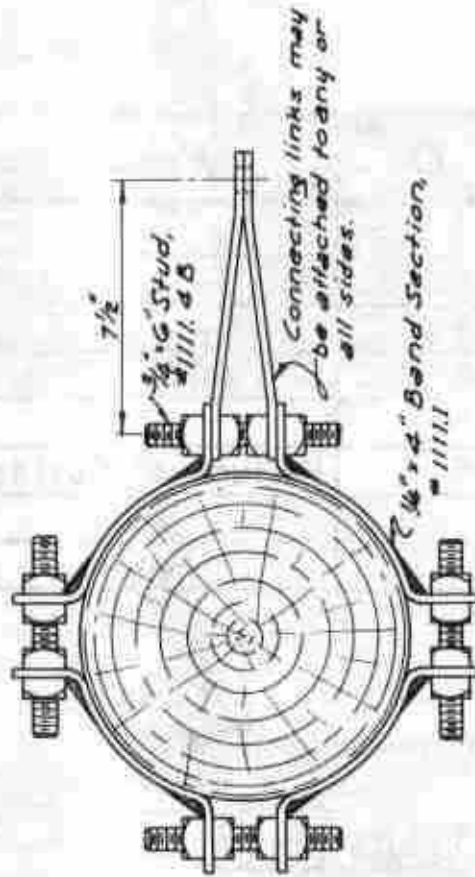


# Hughes No. 1111 POLE BAND TEST



**HUGHES**  
**BROTHERS**

P.O. Box 159, 210 N. 13th Street, Seward, Nebraska 68434 - Phone 402/643-2891 - Telex 438076



"HUGHES" No. IIII POLE BAND

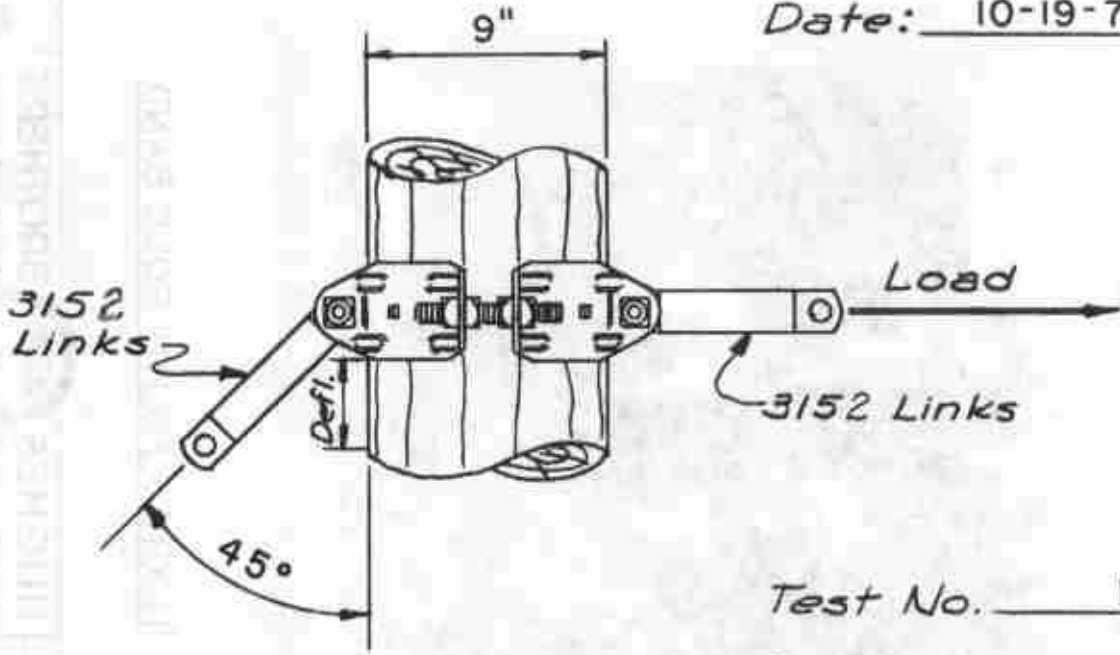
*[Signature]*  
 DATE \_\_\_\_\_  
 DRAWN BY \_\_\_\_\_



HUGHES  
 BROTHERS  
 SEWARD  
 NEBRASKA

DRG. NO. IIII

Date: 10-19-76



Test No. 1

Note: Band included 4-LS-54

DATA

LOAD	CALCULATED GUY LOAD	DEPL.	PIC. No.	REMARKS
0	0	0	1	
3000	4243	1/4"	2	
6000	8485	1/2"	3	
9000	12728	1 1/2"	4	
12000	16971	2"	5	
17000	24042		6	Failure of Guying Stud

No. 1111 POLE BAND TEST  
45 DEGREE GUYING ANGLE

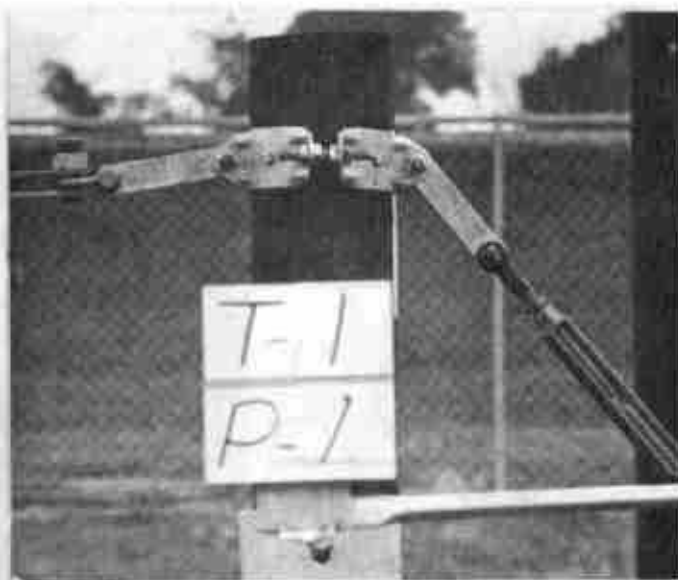
Drawn D. POLICKY  
Appr.  
Appr.

**HUGHES**  
**SEWARD**  
FOUNDED - 1921

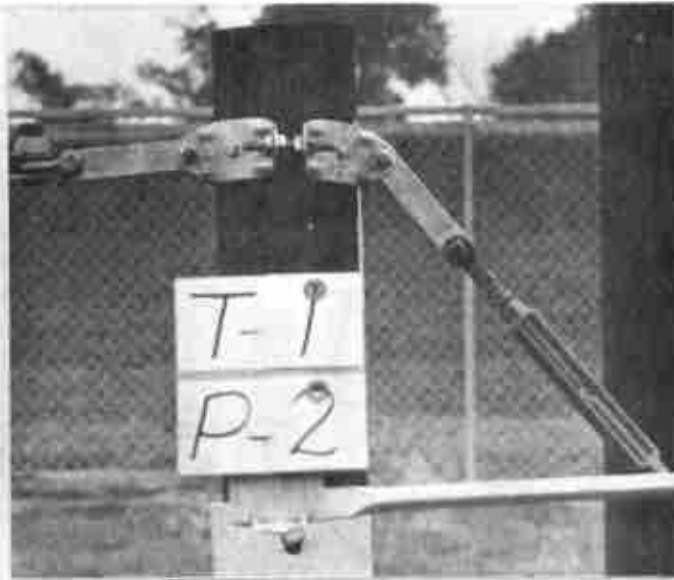


**BROTHERS**  
**NEBRASKA**  
INCORPORATED

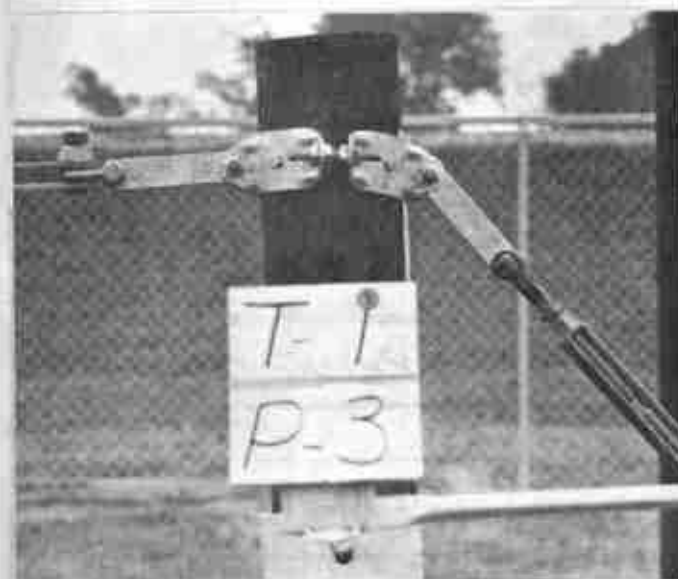
DRG. NO.  
**A-2136-A1**



0 lbs.



3000 lbs.



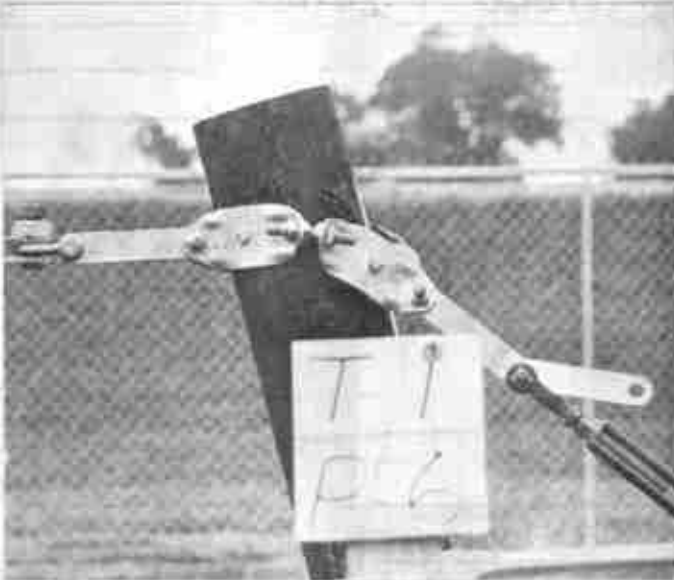
6000 lbs.



9000 lbs.



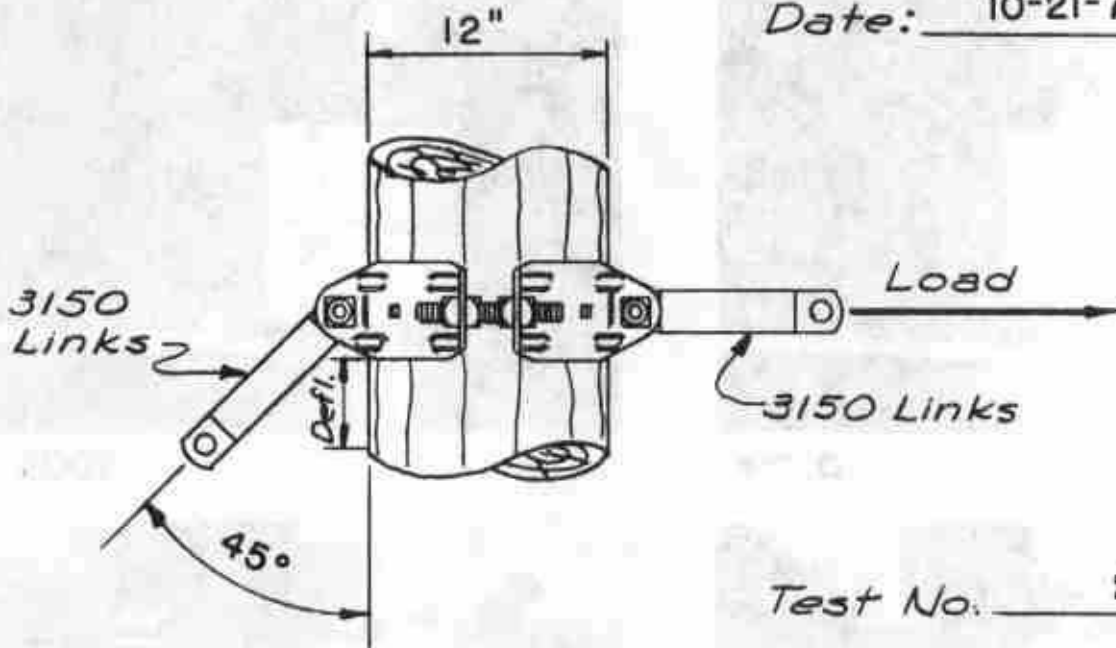
12000 lbs.



Failure

17000 lbs.

Date: 10-21-76



Test No. 2

Note: Band included 4-LS-54

DATA

LOAD	CALCULATED GUY LOAD	DEFL.	PIC. No.	REMARKS
0	0	0	1	
3000	4243	1/4"	2	
6000	8485	1/2"	3	
9000	12728	1"	4	
12000	16971	1 1/2"	5	
17000	24042		6	Failure of Guying Stud

No. 1111 POLE BAND TEST  
45 DEGREE GUYING ANGLE

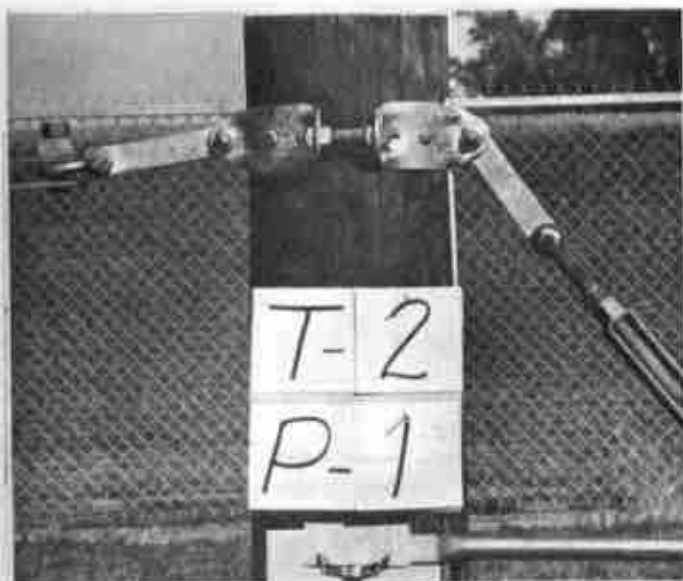
Drawn D. POLICKY  
Appr.  
Appr.

**HUGHES**  
**SEWARD**  
FOUNDED - 1921

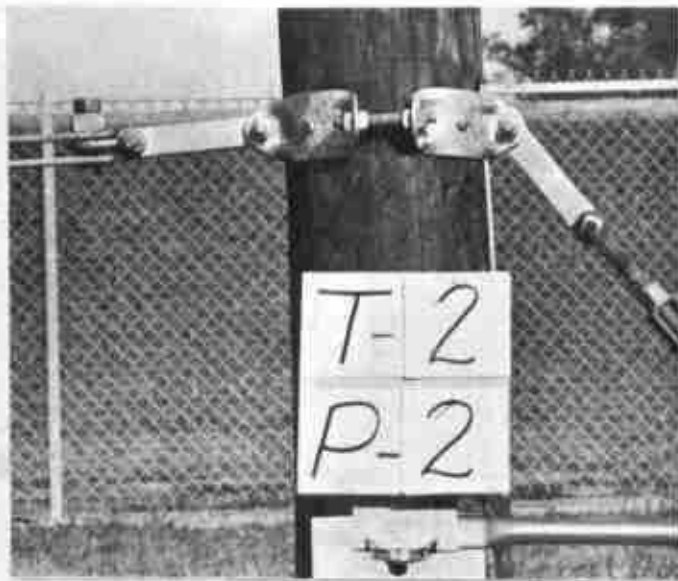


**BROTHERS**  
**NEBRASKA**  
INCORPORATED

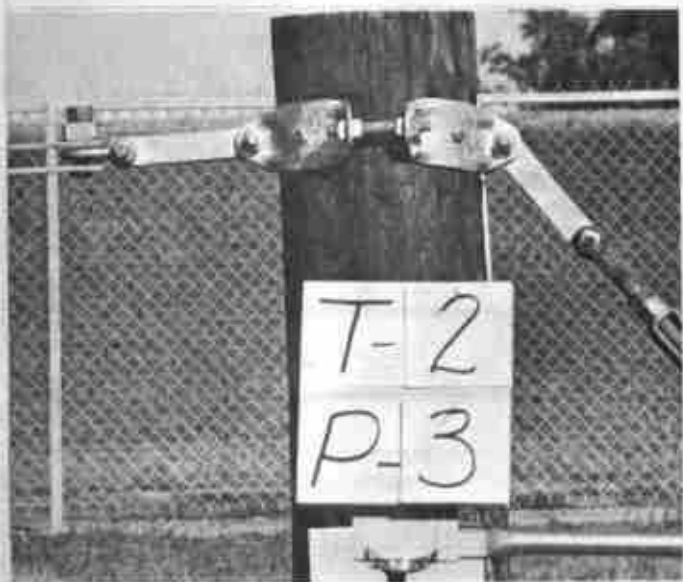
DRG. NO.  
**A-2136-A2**



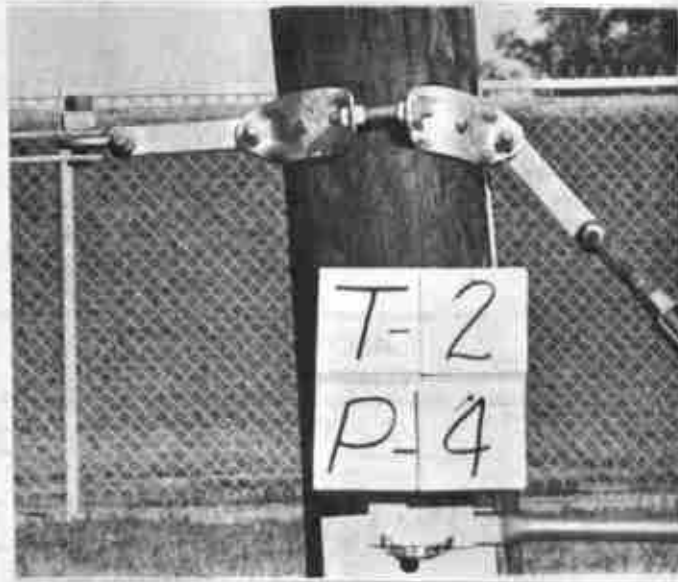
0 lbs.



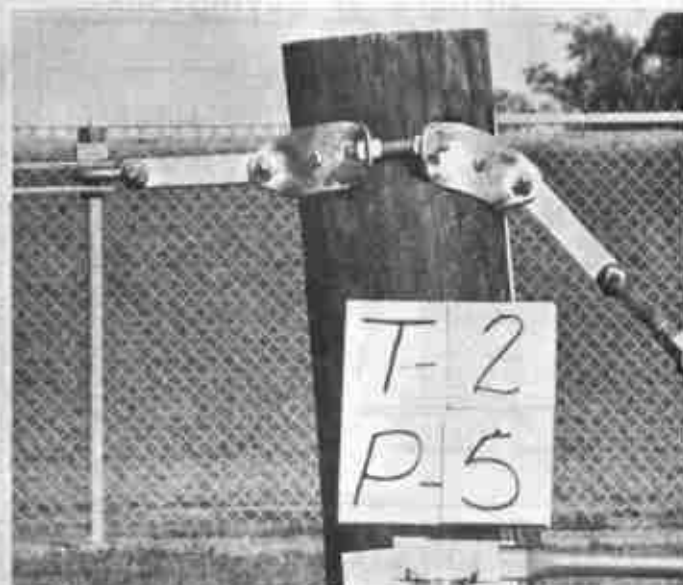
3000 lbs.



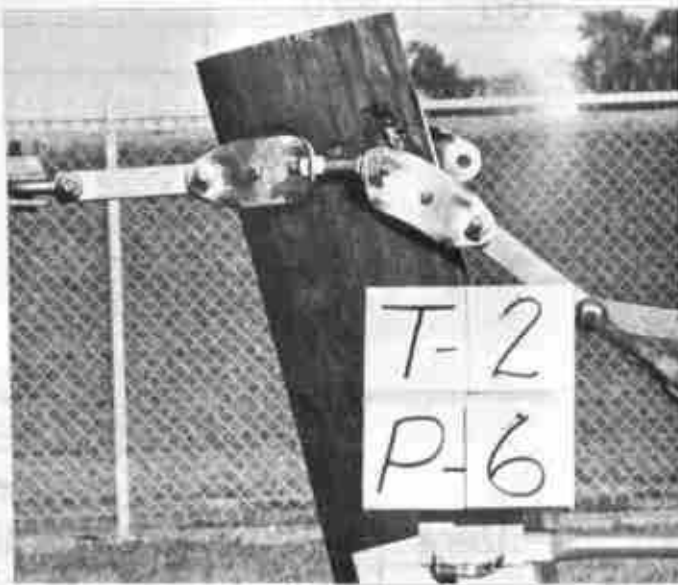
6000 lbs.



9000 lbs.



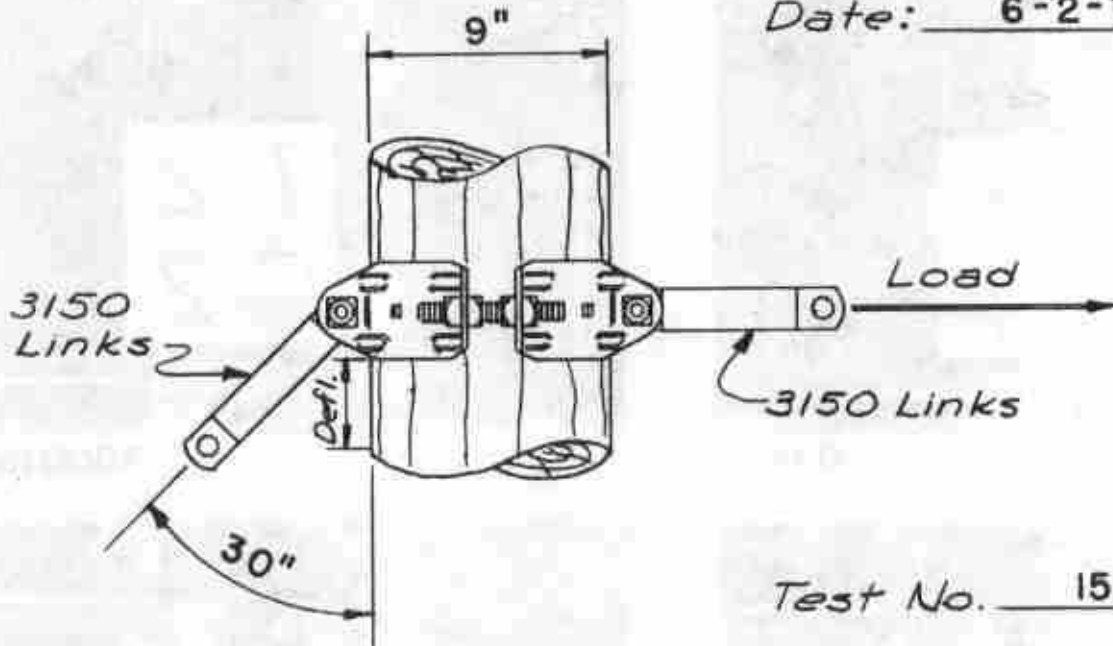
12000 lbs.



Failure

17000 lbs.

Date: 6-2-77



Test No. 15

Note: Band included 4-LS-54

DATA

LOAD	CALCULATED GUY LOAD	DEFL.	PIC. No.	REMARKS
0	0	0	1	
3000	6000	5/8"	2	
6000	12000	1 9/16"	3	
9000	18000	2 5/8"	4	
12000	24000	3 7/8"	5	
13500	27000		6,7	Failure of Guying Link

No. 1111 POLE BAND TEST  
30 DEGREE GUYING ANGLE

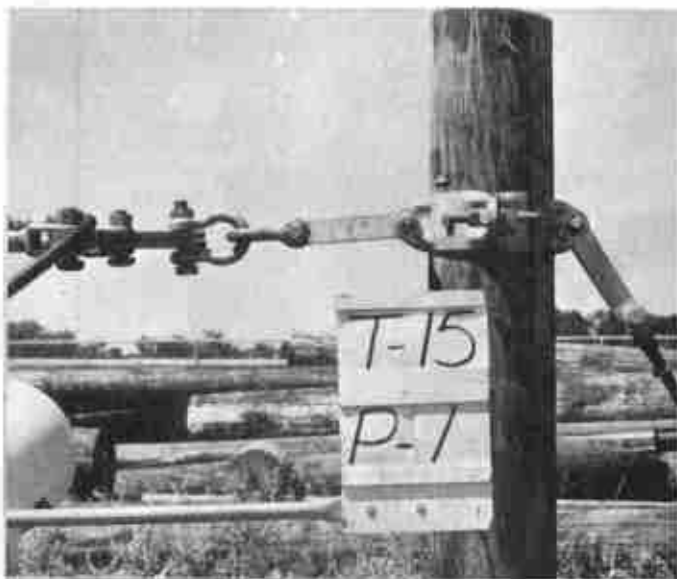
Drawn D. POLICKY  
Appr.  
Appr.

**HUGHES SEWARD**  
FOUNDED - 1921



**BROTHERS NEBRASKA**  
INCORPORATED

DRG. NO.  
**A-2136-A3**



0 lbs.



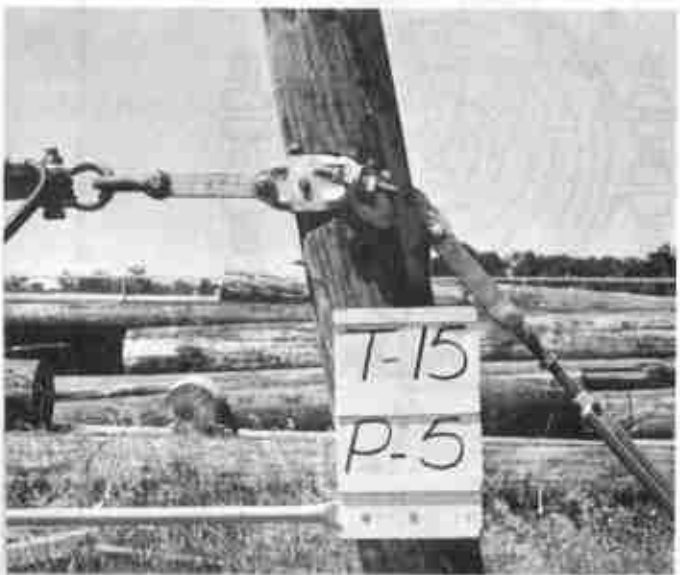
3000 lbs.



6000 lbs.



9000 lbs.



12000 lbs.



Failure

13500 lbs.



